

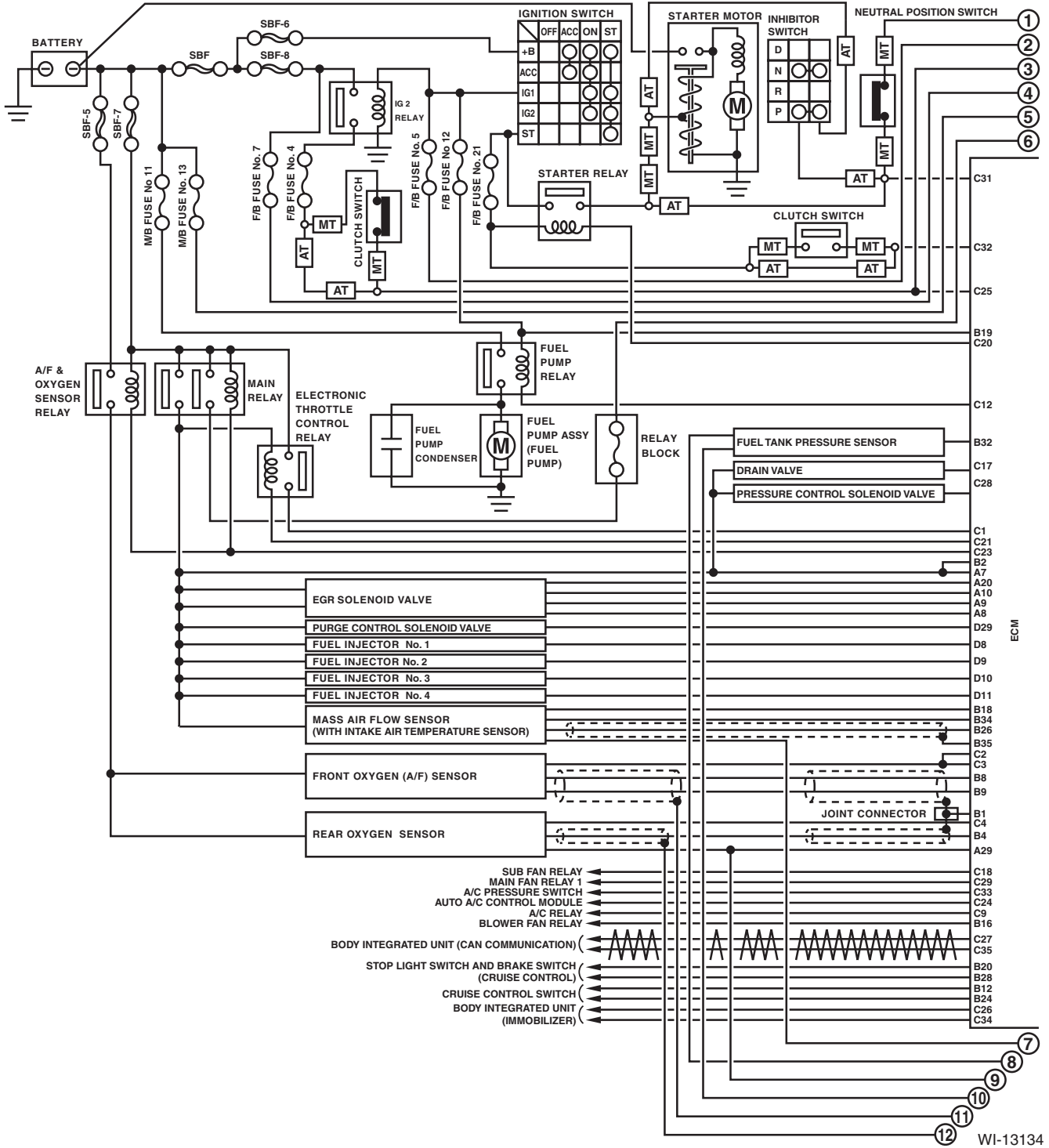
Engine Electrical System

WIRING SYSTEM

5. Engine Electrical System

A: WIRING DIAGRAM

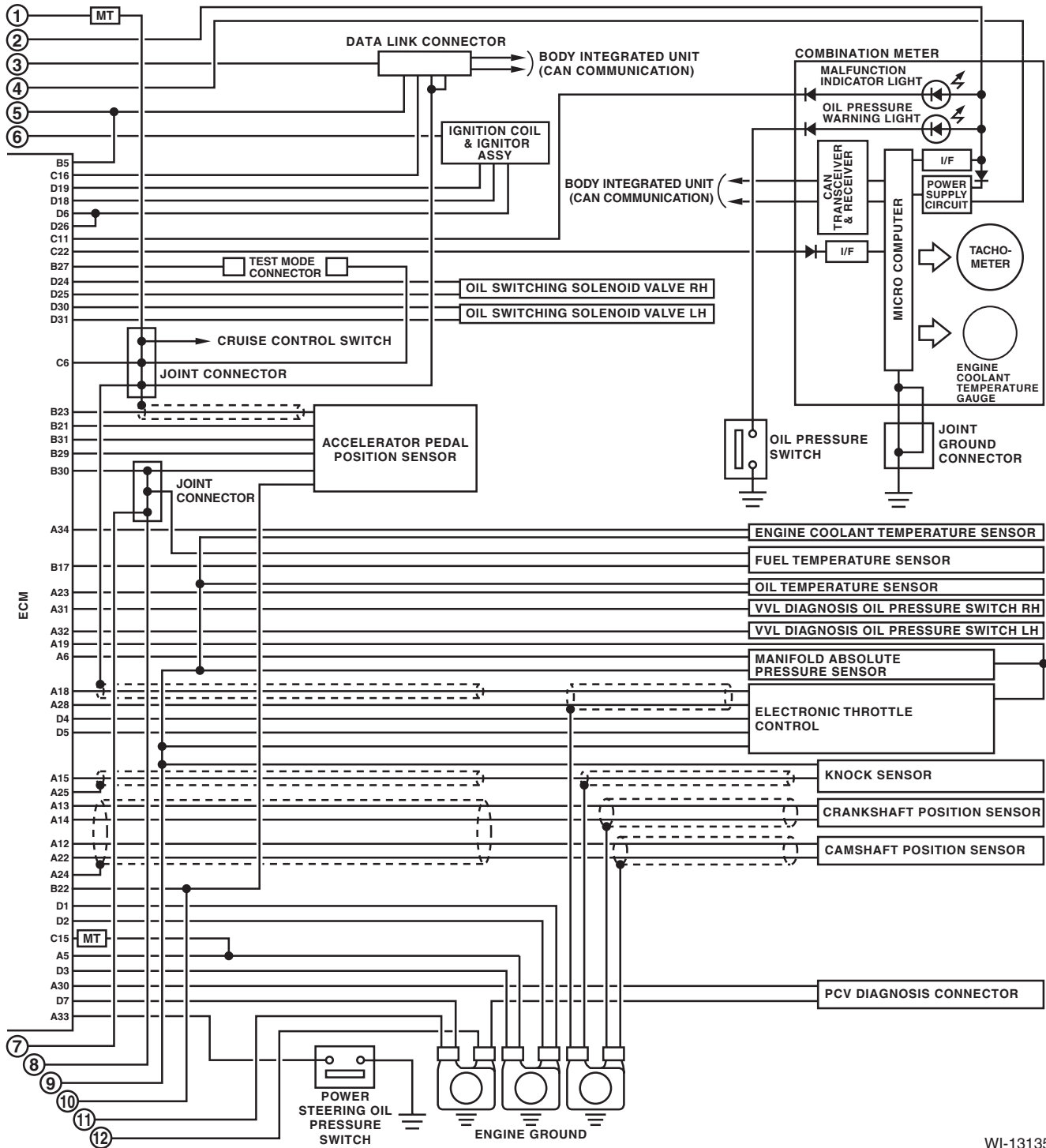
1. 2.5 L NON-TURBO MODEL



WI-13134

Engine Electrical System

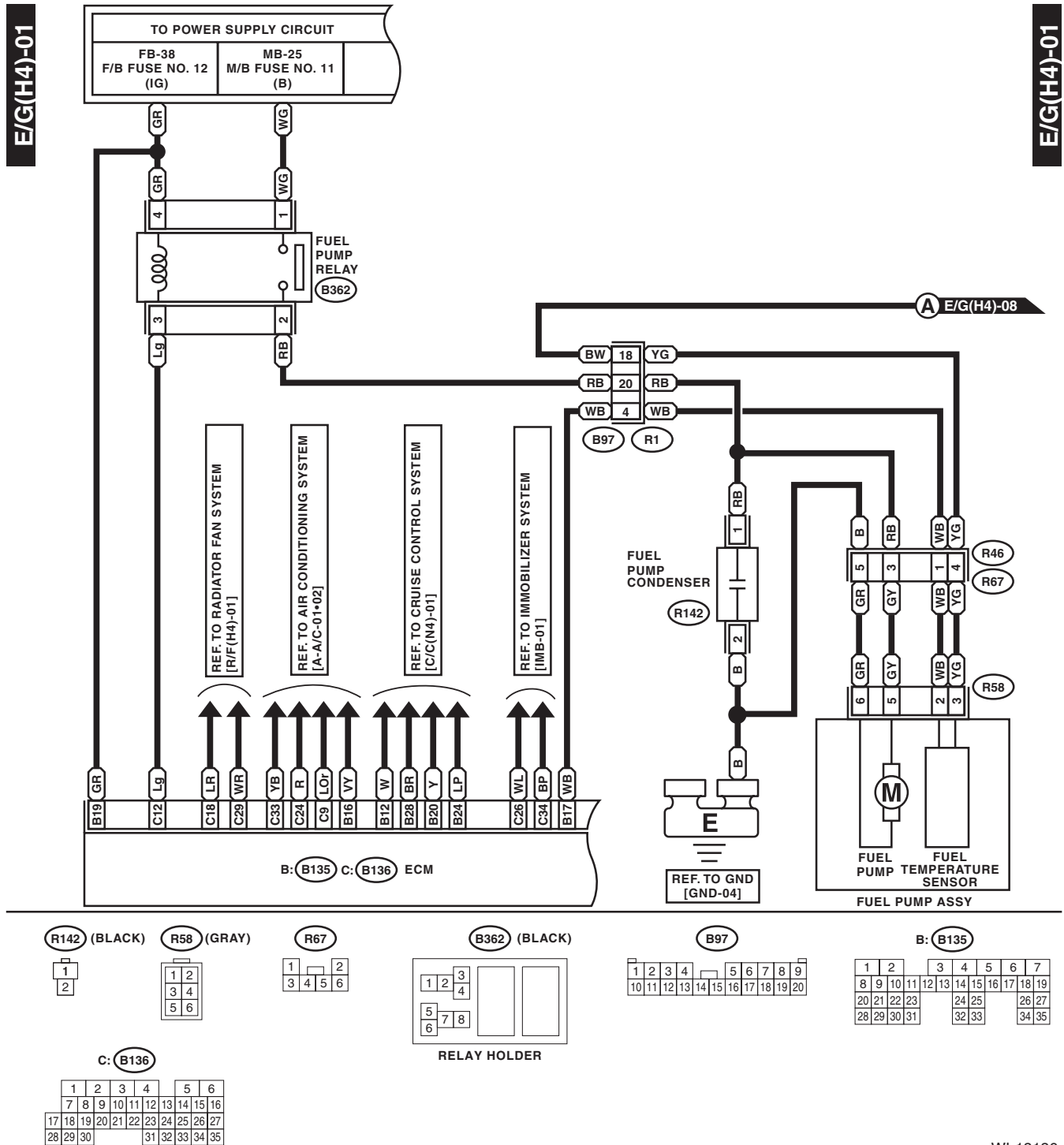
WIRING SYSTEM



WI-13135

Engine Electrical System

WIRING SYSTEM



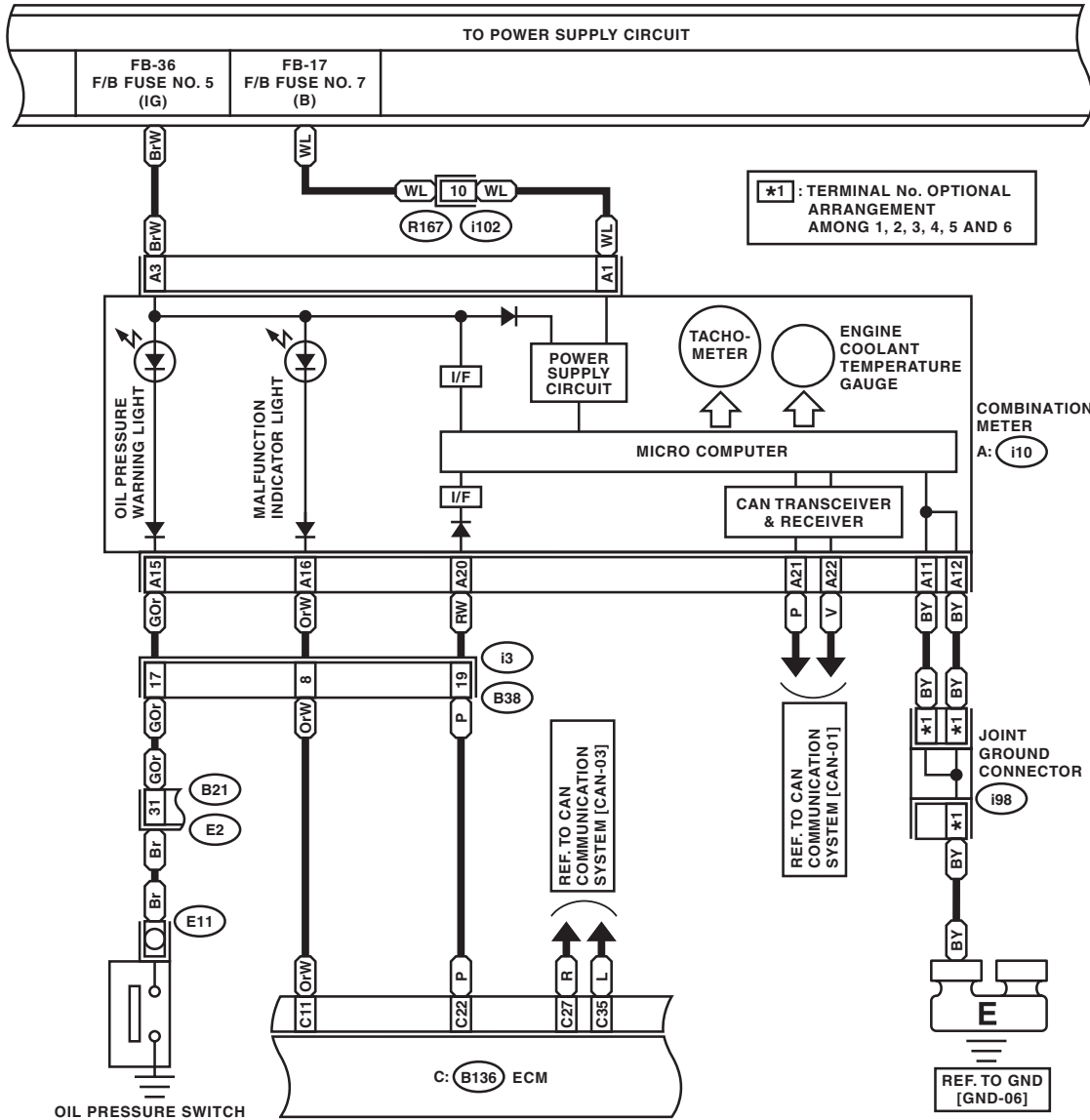
WI-13136

Engine Electrical System

WIRING SYSTEM

E/G(H4)-02

E/G(H4)-02



i98

1	2	3	4	5	6
7	8	9	10	11	12

i102

1	2	3	4	5	6	7
8	9	10	11	12	13	14
15	16					

B38

1	2	3	4	5	6	7	8	9
10	11	12	13	14	15	16	17	18
19	20							

A: i10 (GREEN)

1	2	3	4	5	6	7	8	9	10
11	12	13	14	15	16	17	18	19	20
21	22								

C: B136

1	2	3	4	5	6
7	8	9	10	11	12
13	14	15	16	17	18
19	20	21	22	23	24
25	26	27			
28	29	30	31	32	33
34	35				

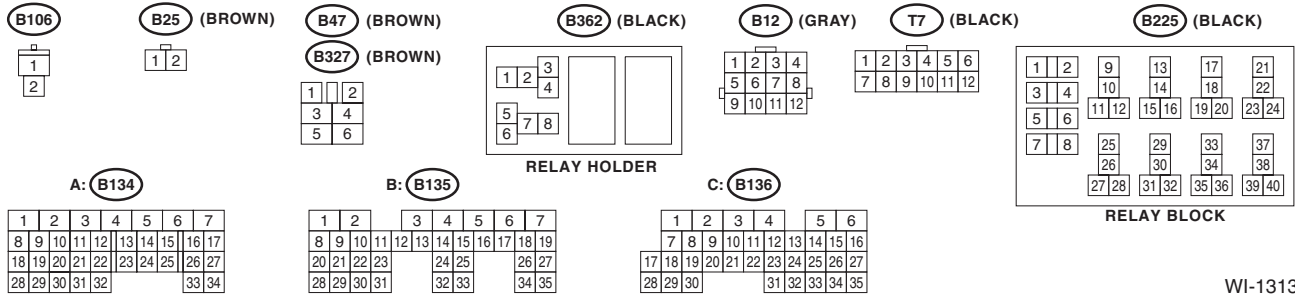
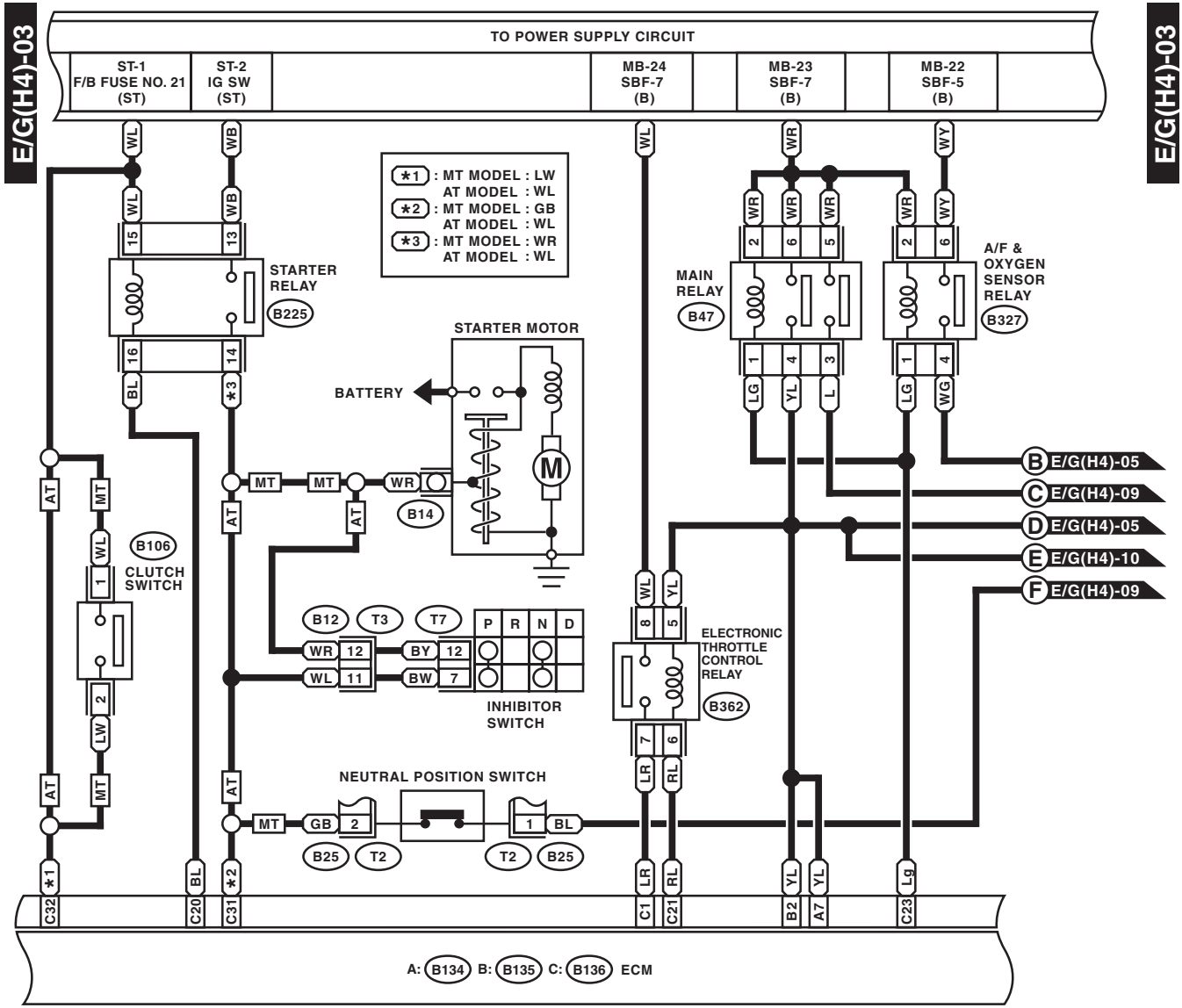
B21 (BLACK)

1	2	3	4	5	6	7	8	9	10	11
12	13	14	15	16	17	18	19	20	21	22
23	24	25	26	27	28	29	30	31	32	33
34	35	36	37	38	39	40	41			
42	43	44	45	46	47					
48	49	50	51	52	53	54				

WI-13137

Engine Electrical System

WIRING SYSTEM



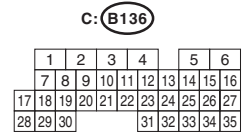
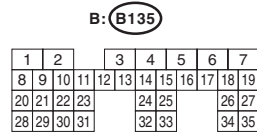
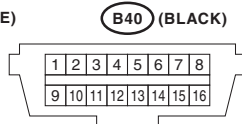
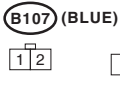
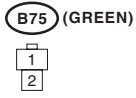
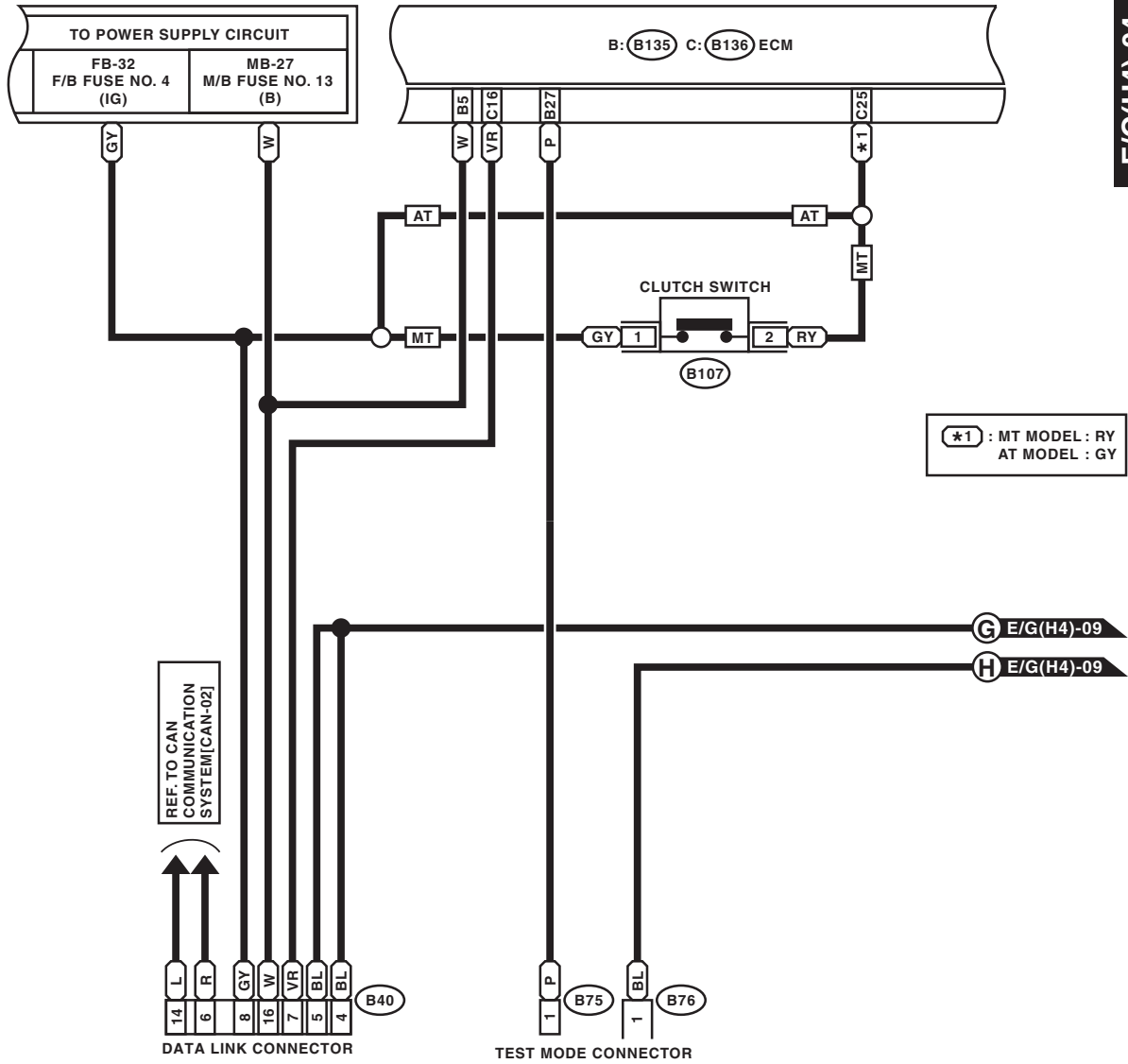
WI-13138

Engine Electrical System

WIRING SYSTEM

E/G(H4)-04

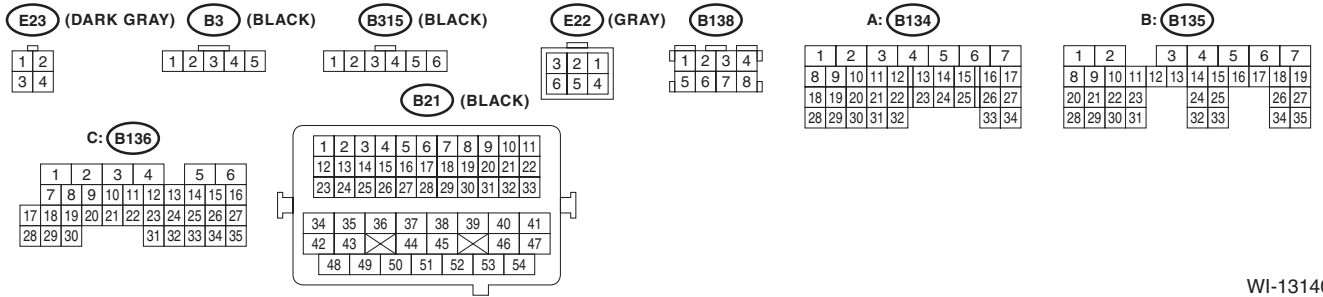
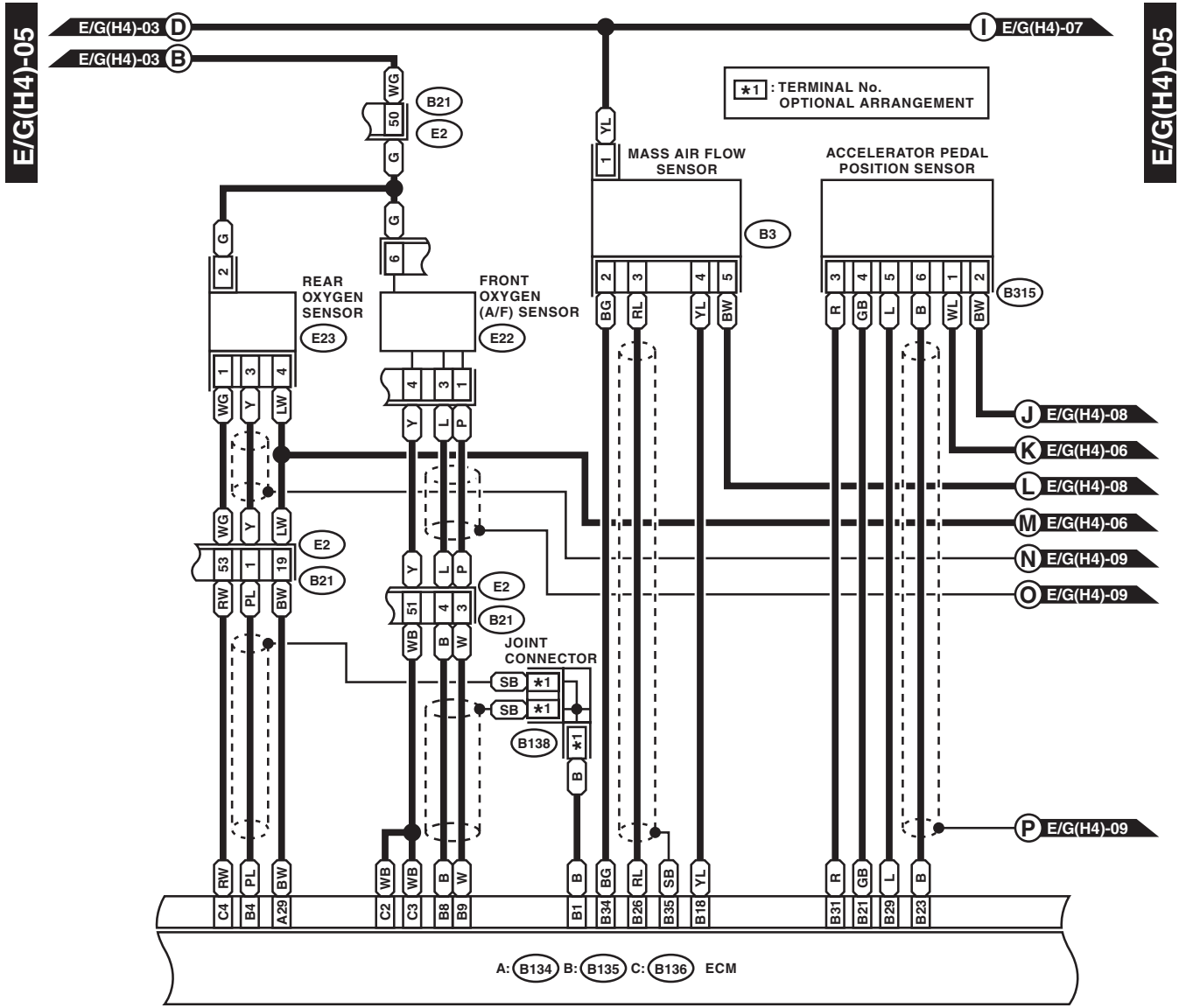
E/G(H4)-04



WI-13139

Engine Electrical System

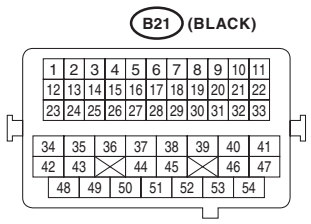
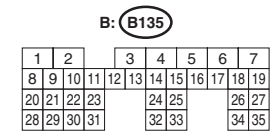
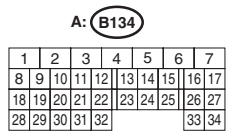
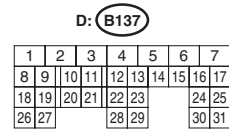
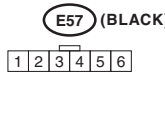
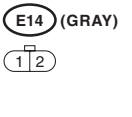
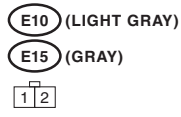
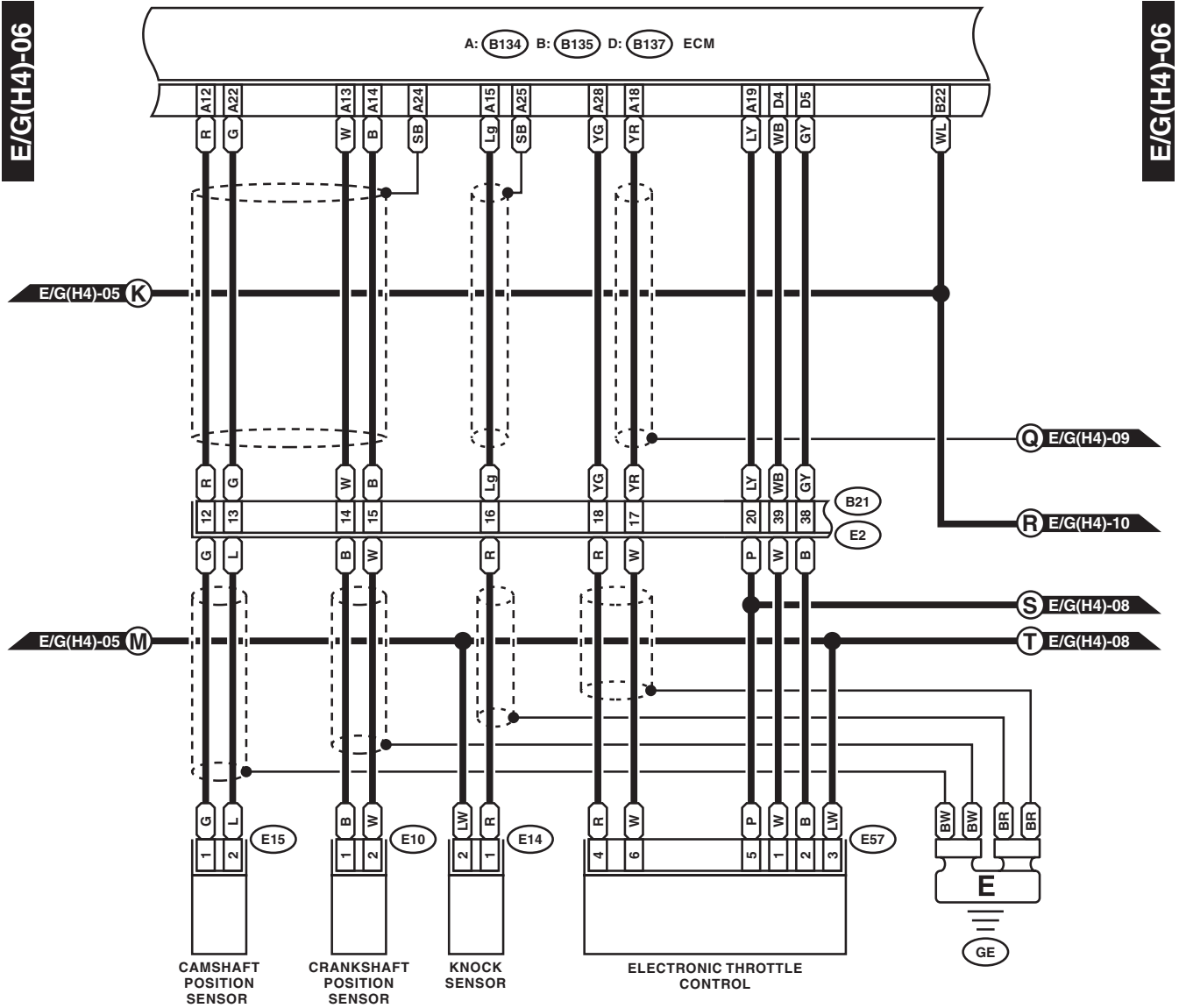
WIRING SYSTEM



WI-13140

Engine Electrical System

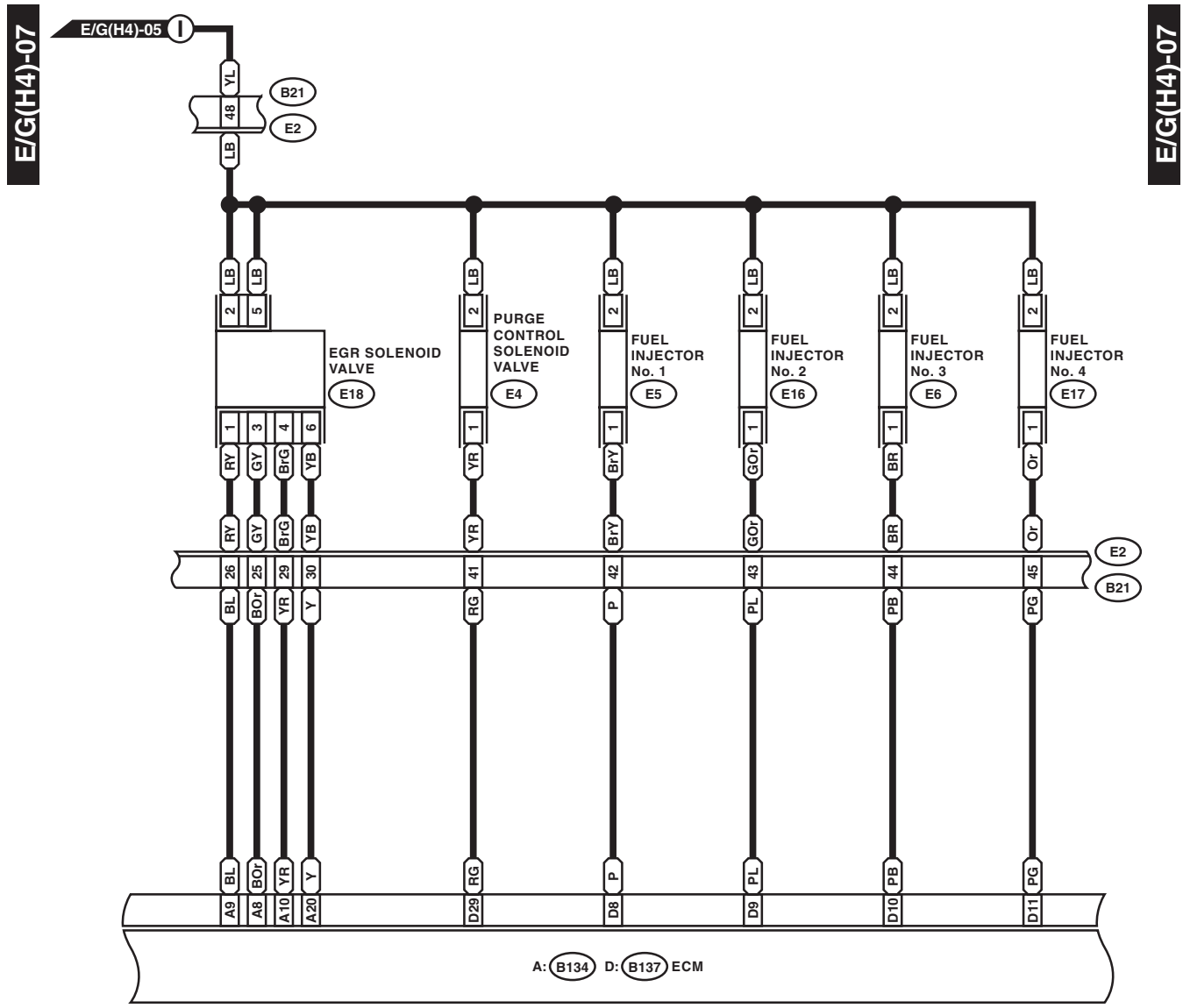
WIRING SYSTEM



WI-13141

Engine Electrical System

WIRING SYSTEM



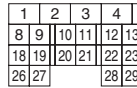
E4 (BLACK)



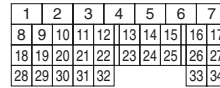
E18 (DARK GRAY)



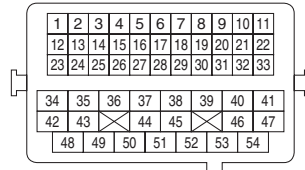
D: B137



A: B134



B21 (BLACK)



(LIGHT GRAY) E5 E16 (LIGHT GRAY)

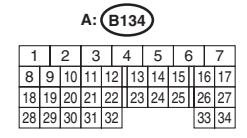
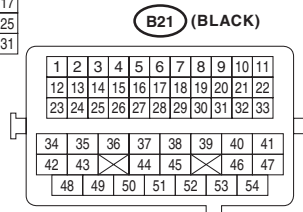
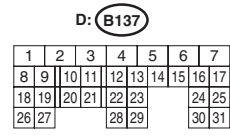
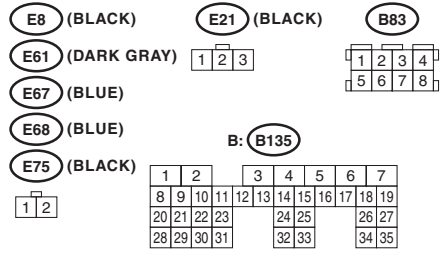
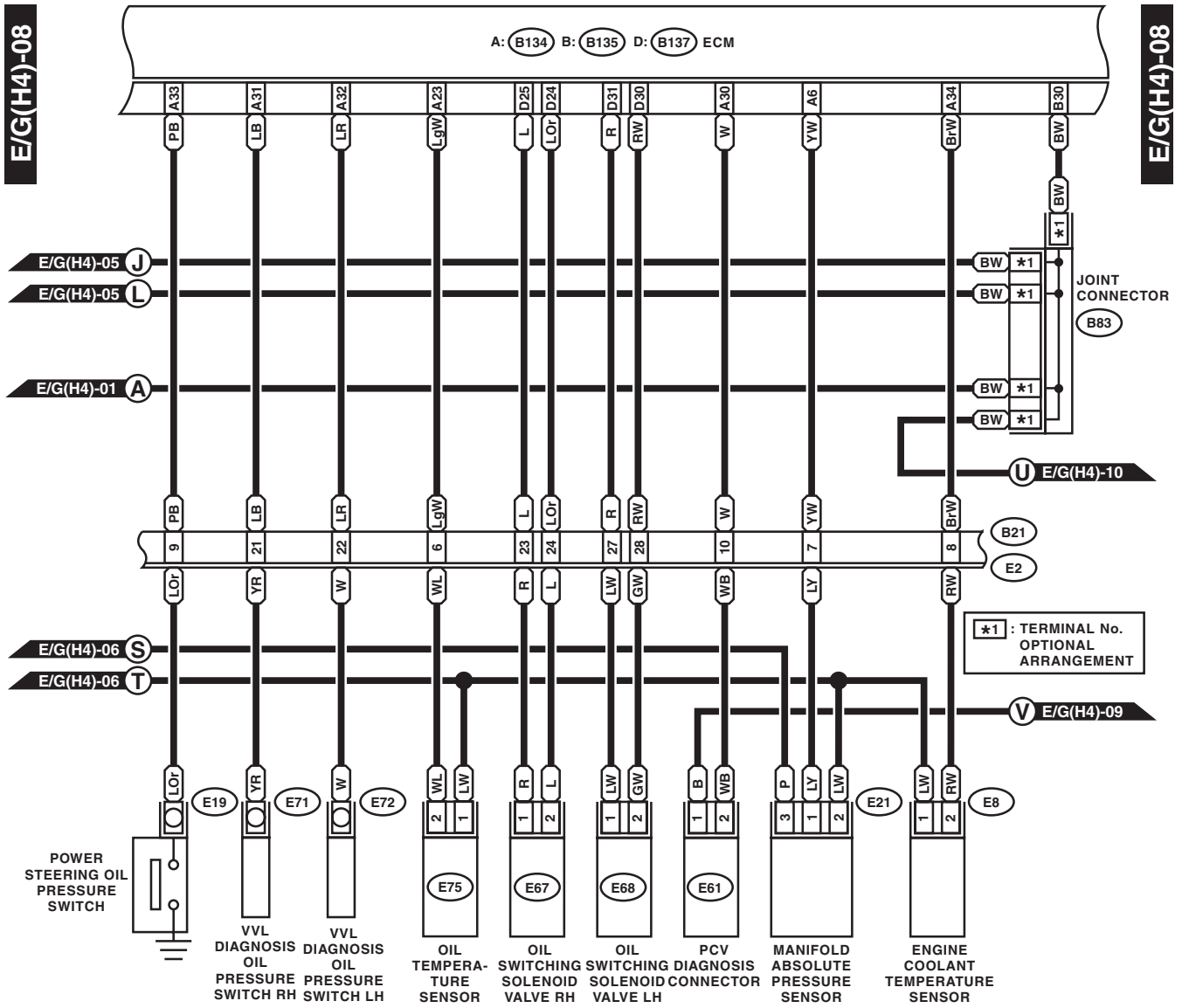
(LIGHT GRAY) E6 E17 (LIGHT GRAY)



WI-13142

Engine Electrical System

WIRING SYSTEM



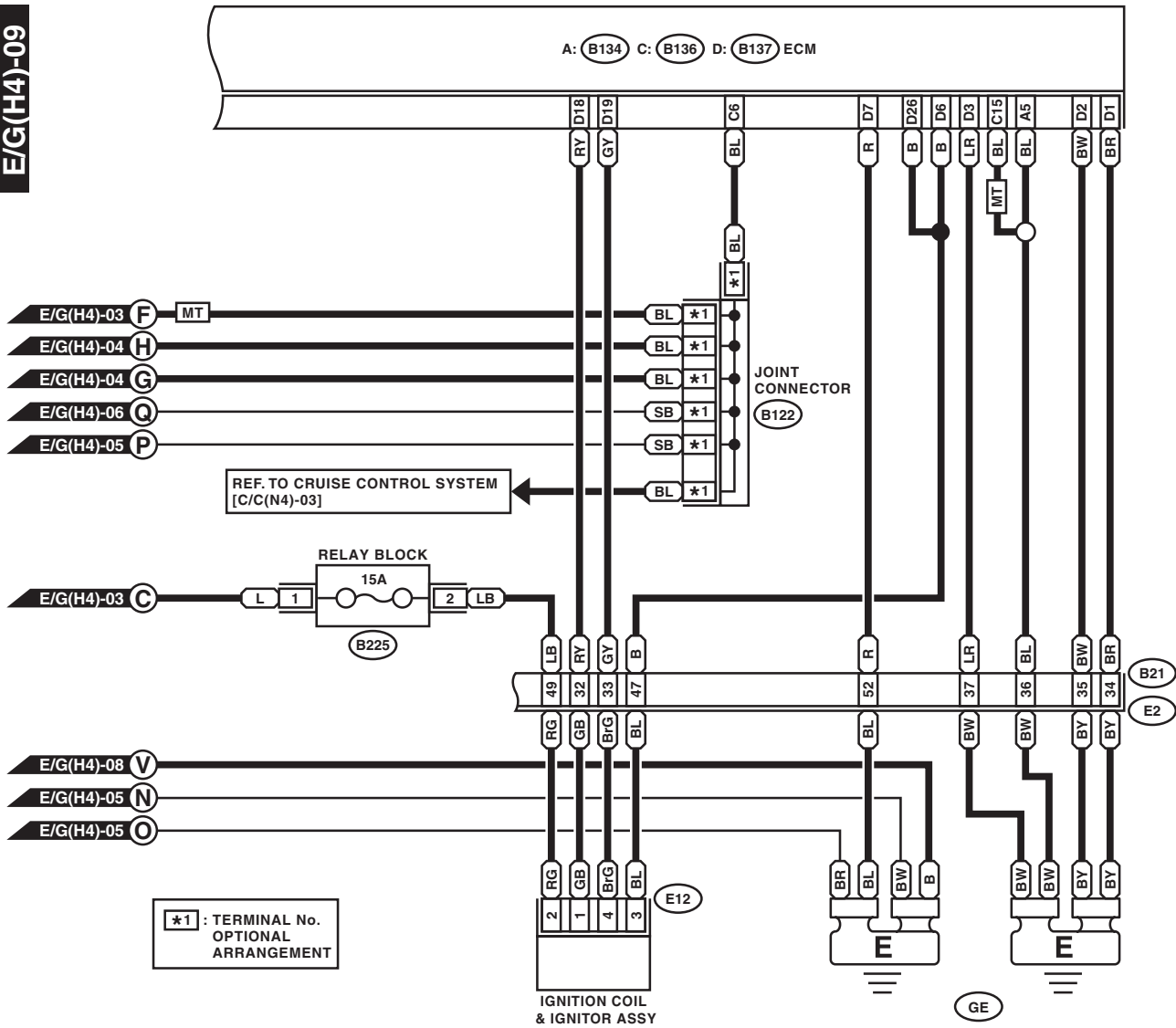
WI-13143

Engine Electrical System

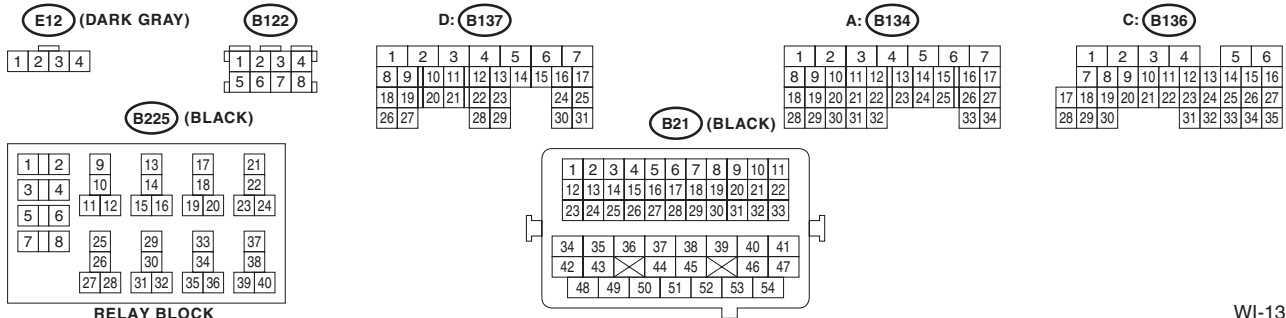
WIRING SYSTEM

E/G(H4)-09

E/G(H4)-09



★1 : TERMINAL No.
OPTIONAL
ARRANGEMENT



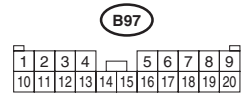
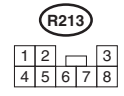
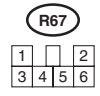
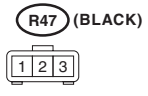
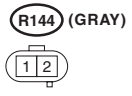
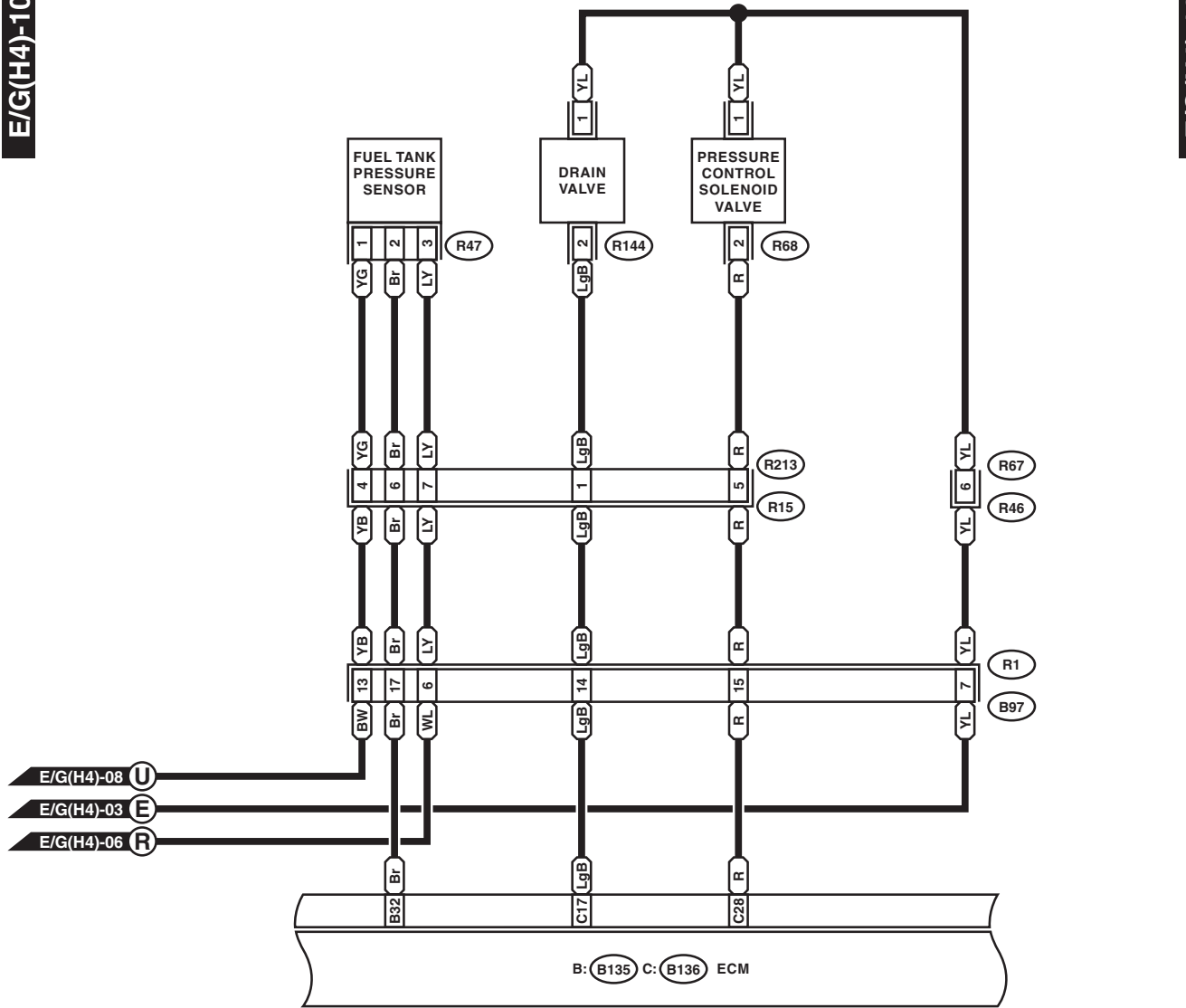
WI-13144

Engine Electrical System

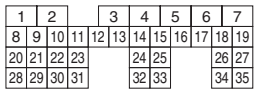
WIRING SYSTEM

E/G(H4)-10

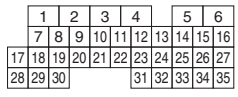
E/G(H4)-10



B: B135



C: B136



WI-13145