

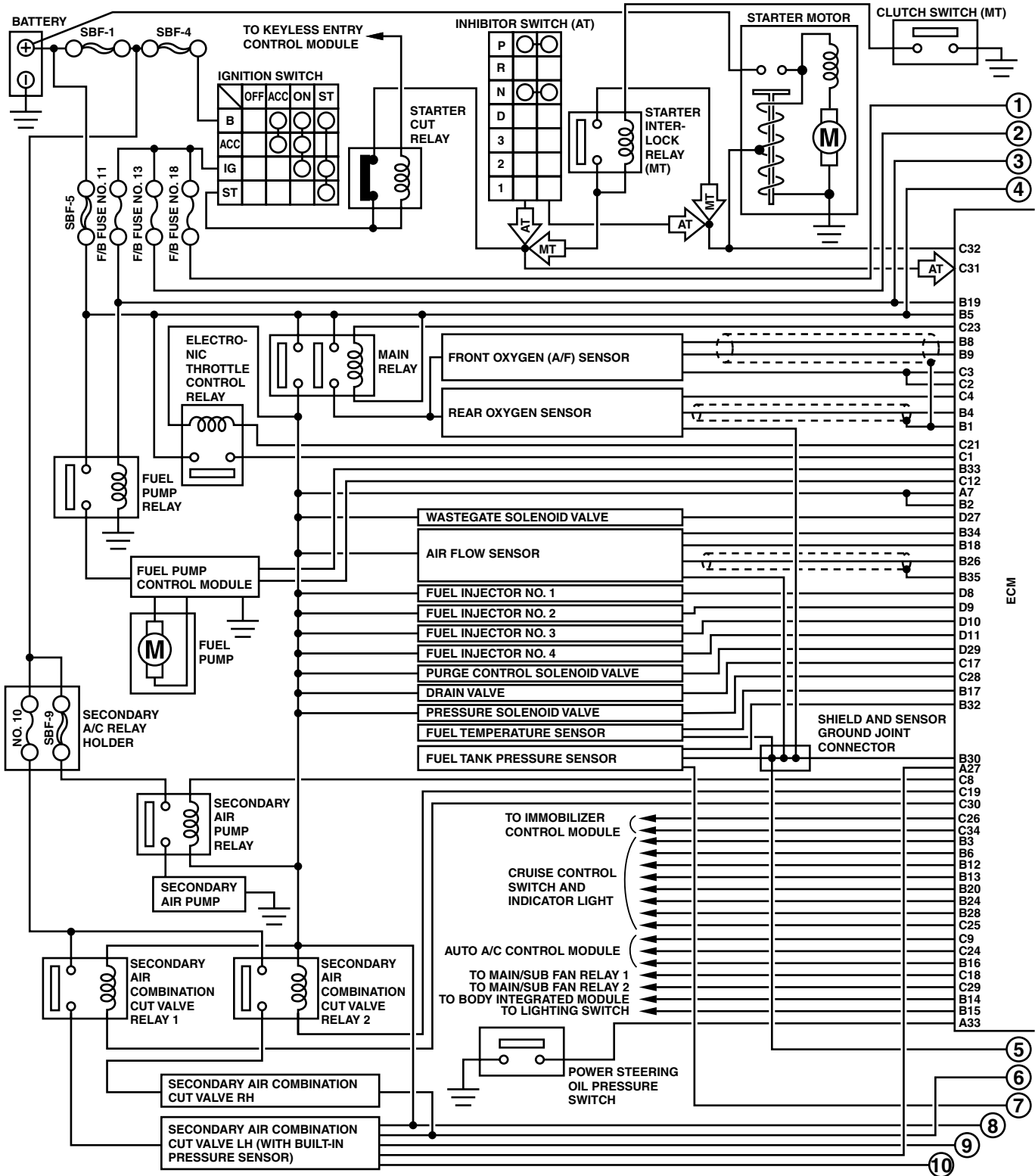
Engine Electrical System

WIRING SYSTEM

5. Engine Electrical System

A: WIRING DIAGRAM

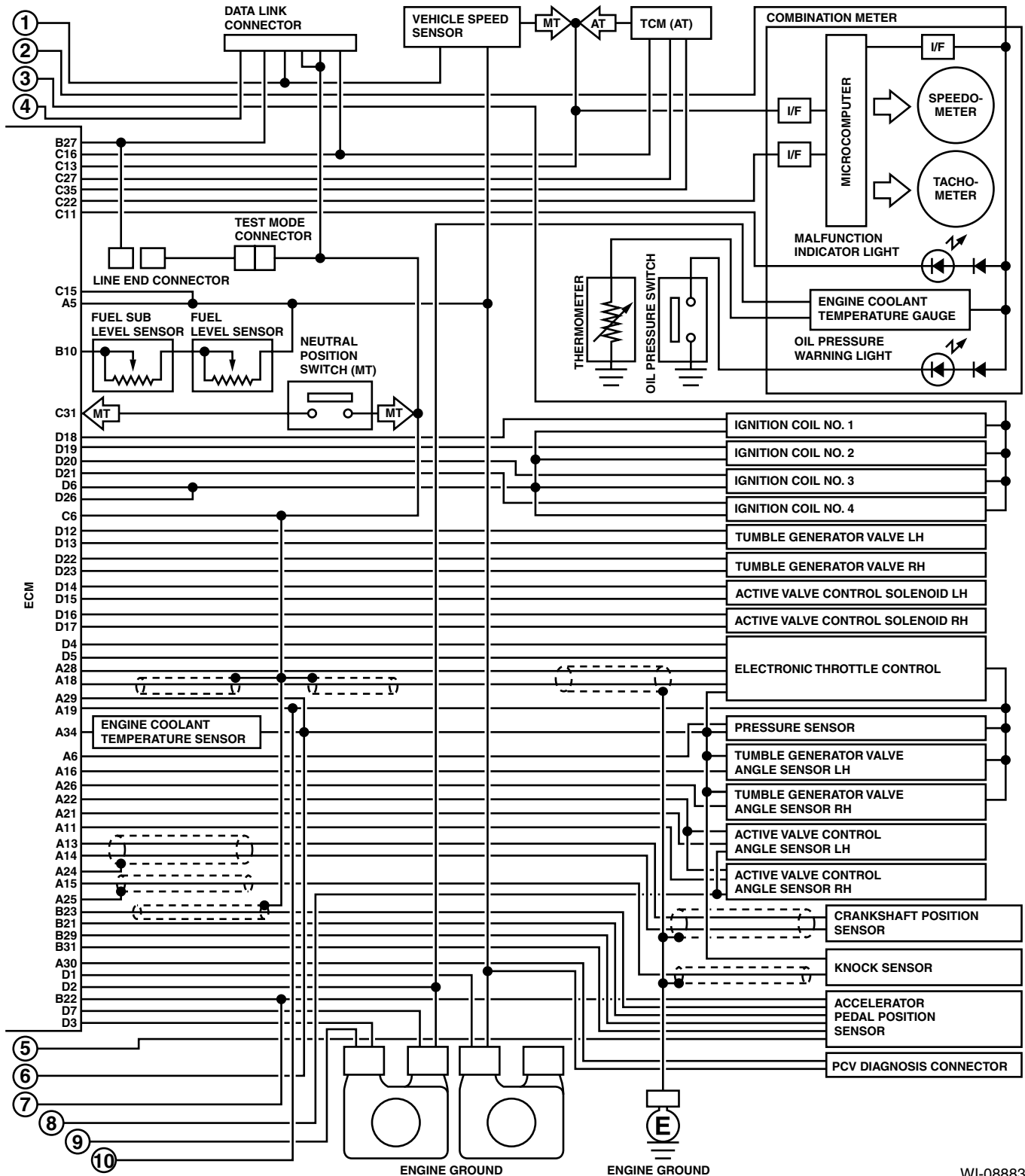
1. TURBO MODEL



WI-08882

Engine Electrical System

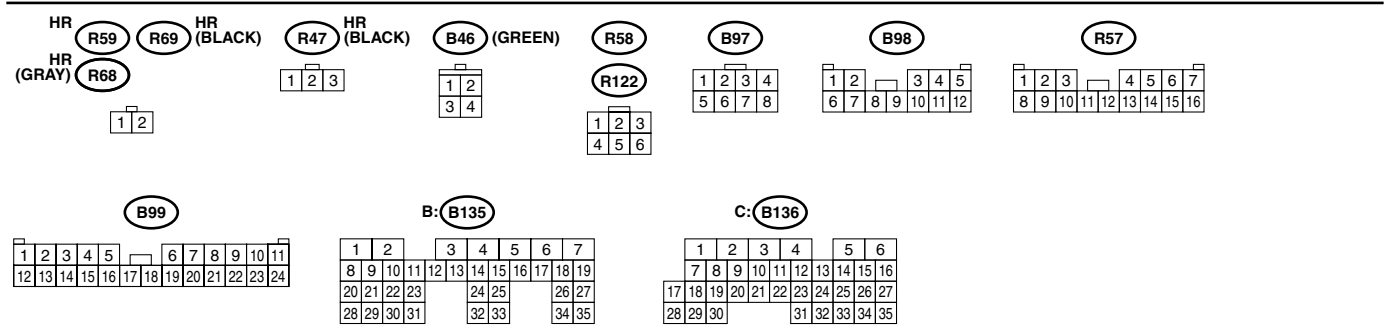
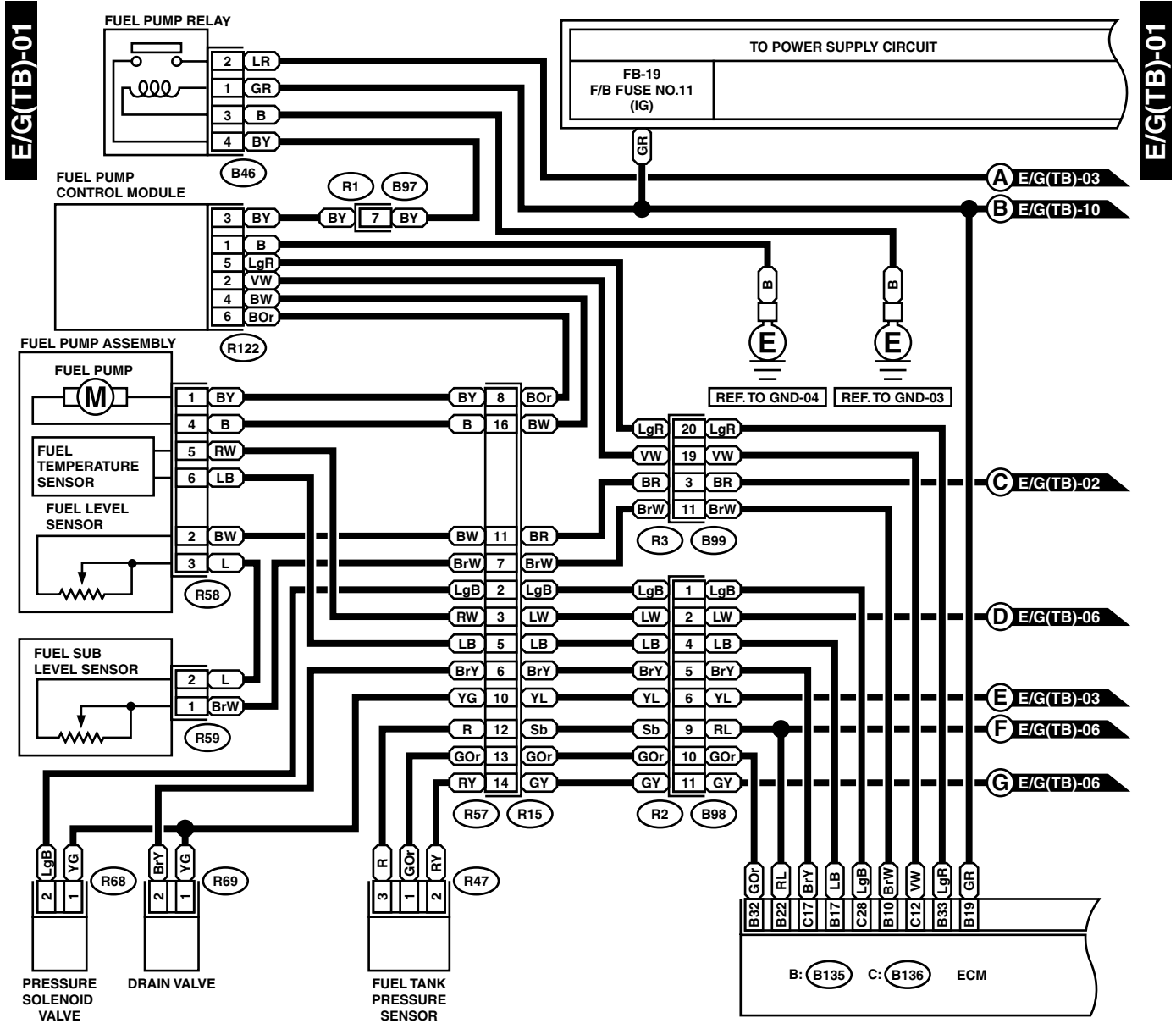
WIRING SYSTEM



WI-08883

Engine Electrical System

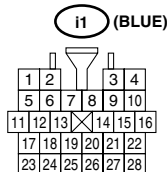
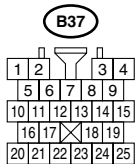
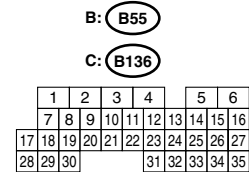
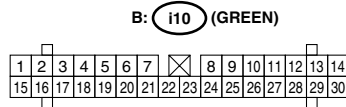
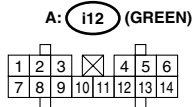
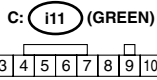
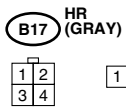
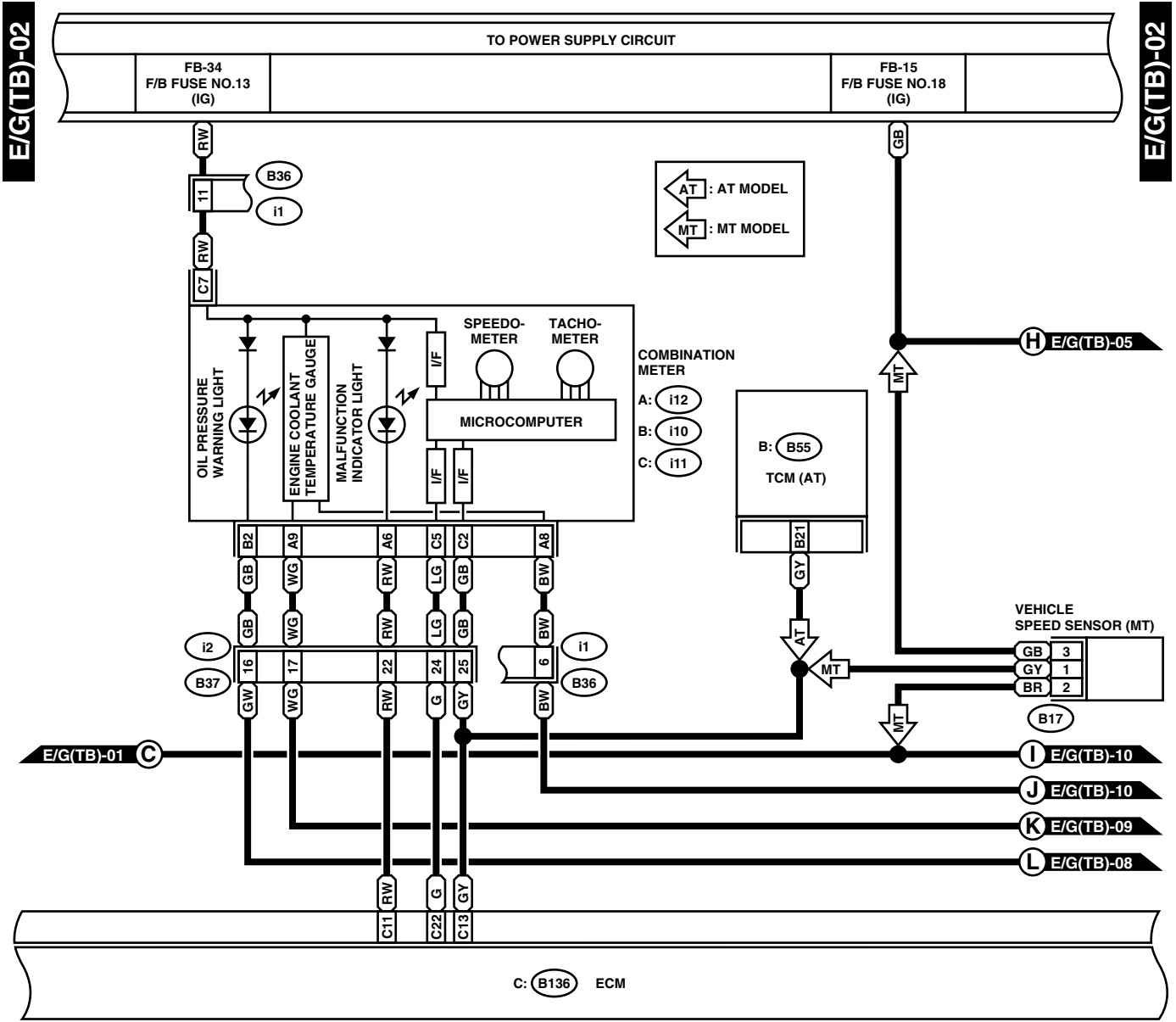
WIRING SYSTEM



WI-08884

Engine Electrical System

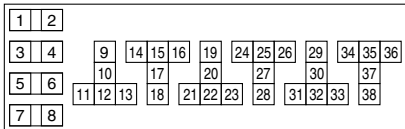
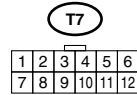
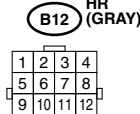
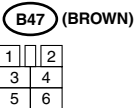
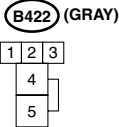
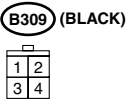
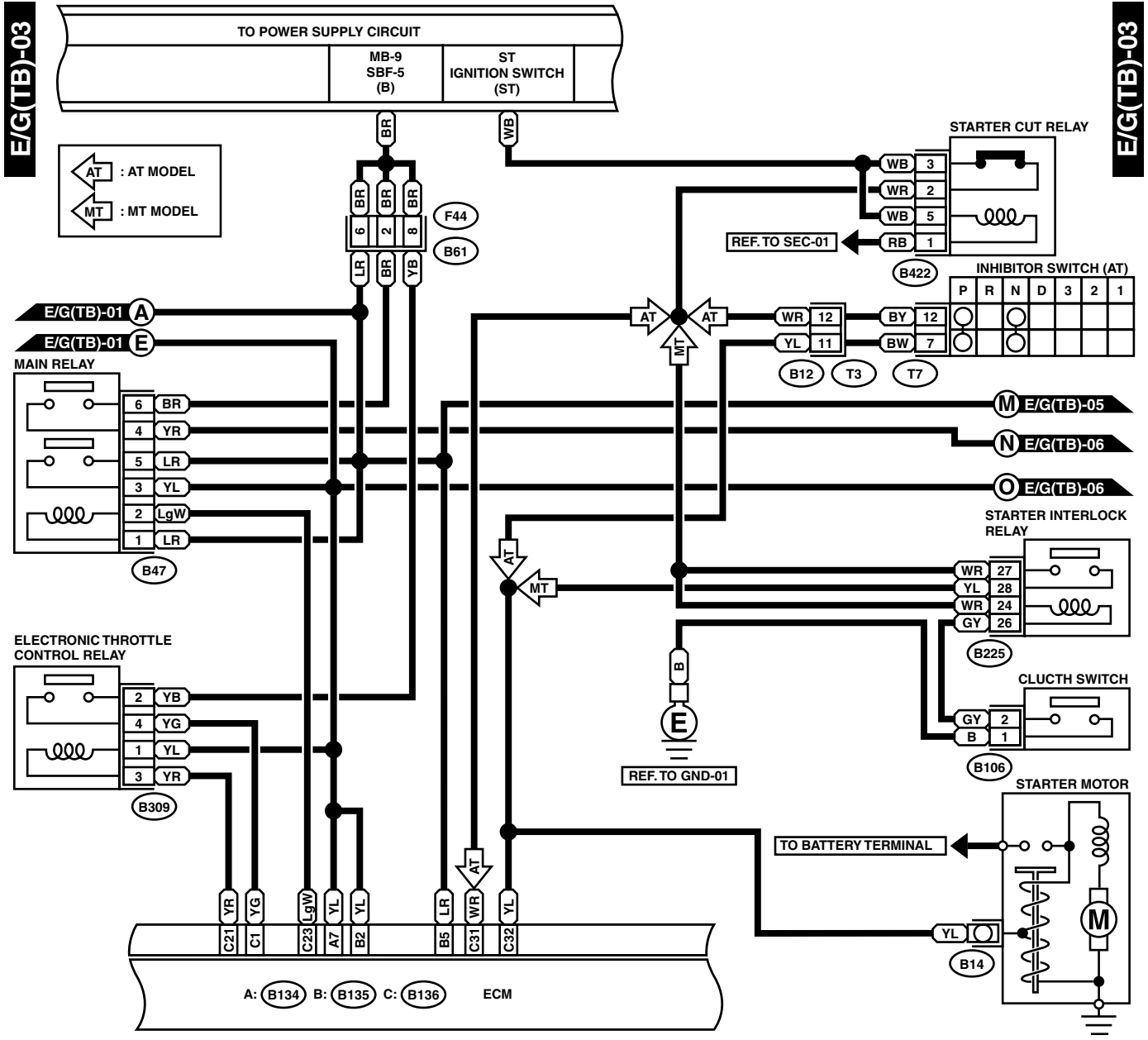
WIRING SYSTEM



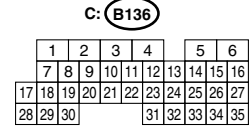
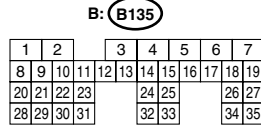
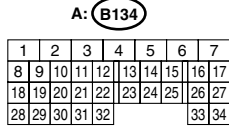
WI-08885

Engine Electrical System

WIRING SYSTEM

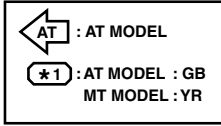


RELAY BLOCK

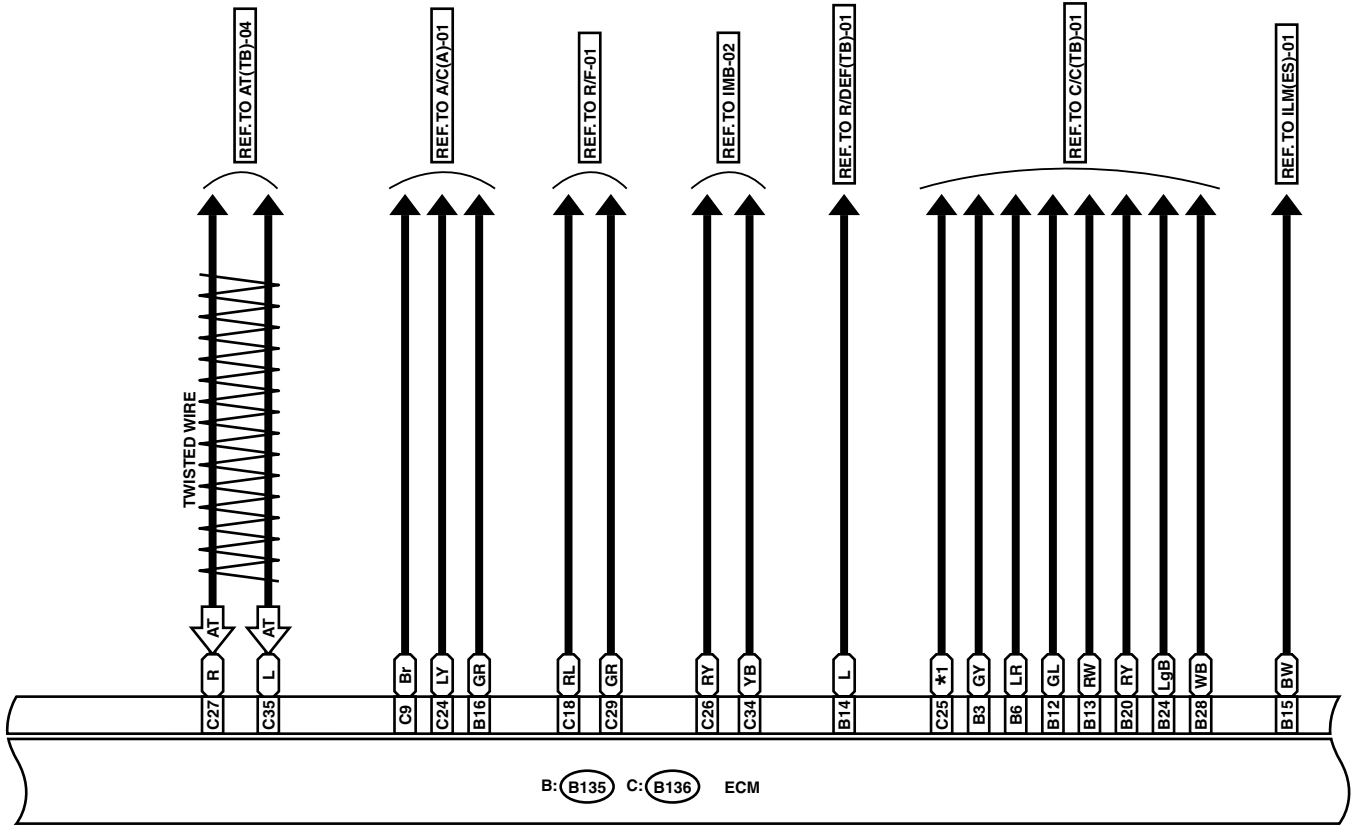


WI-08886

E/G(TB)-04



E/G(TB)-04



B: (B135)

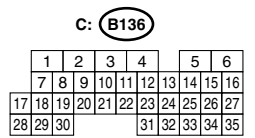
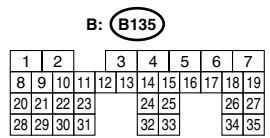
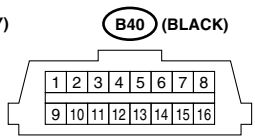
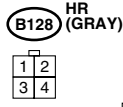
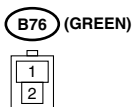
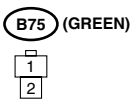
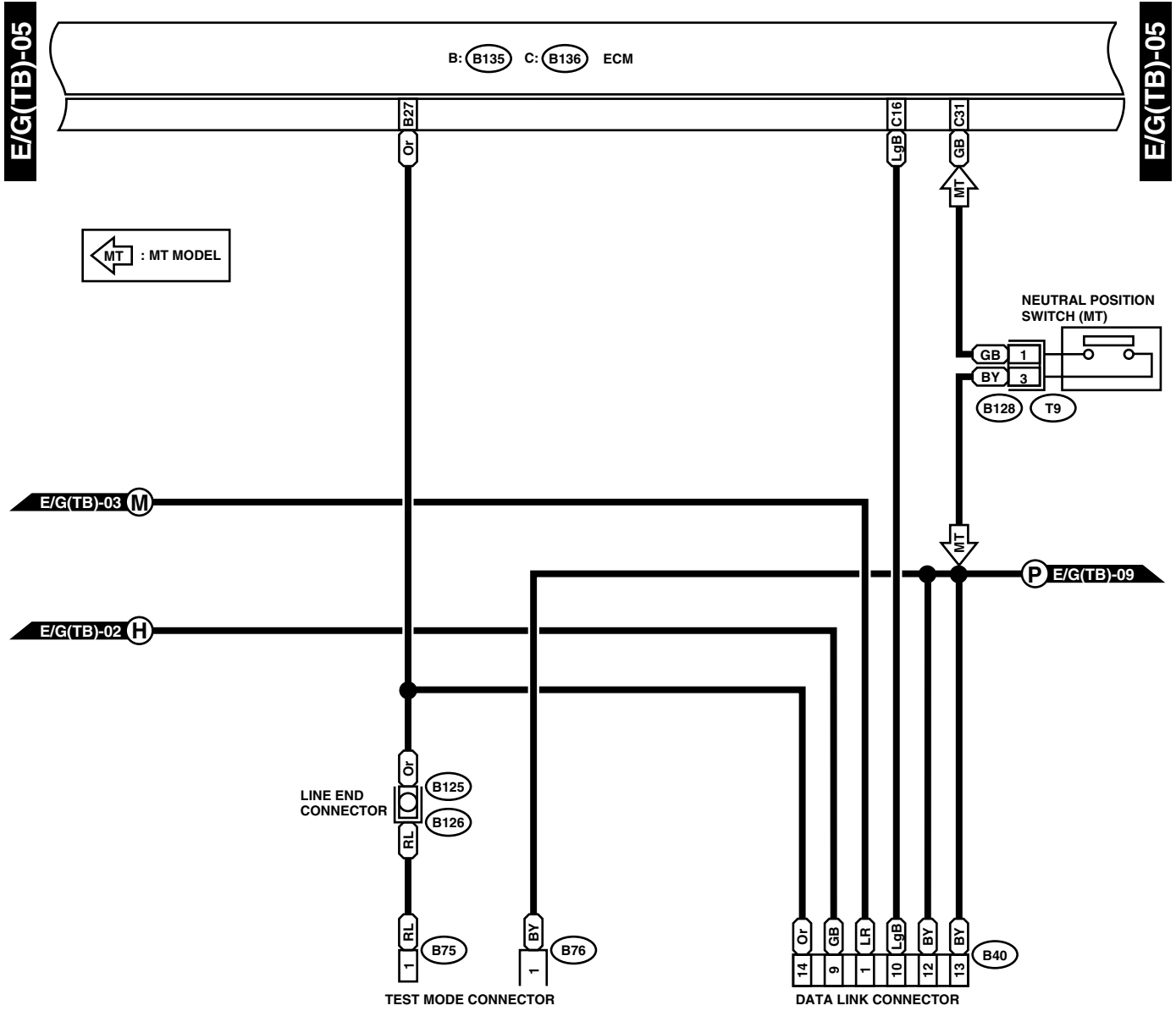
1	2	3	4	5	6	7					
8	9	10	11	12	13	14	15	16	17	18	19
20	21	22	23	24	25	26	27				
28	29	30	31	32	33	34	35				

C: (B136)

1	2	3	4	5	6					
7	8	9	10	11	12	13	14	15	16	
17	18	19	20	21	22	23	24	25	26	27
28	29	30	31	32	33	34	35			

Engine Electrical System

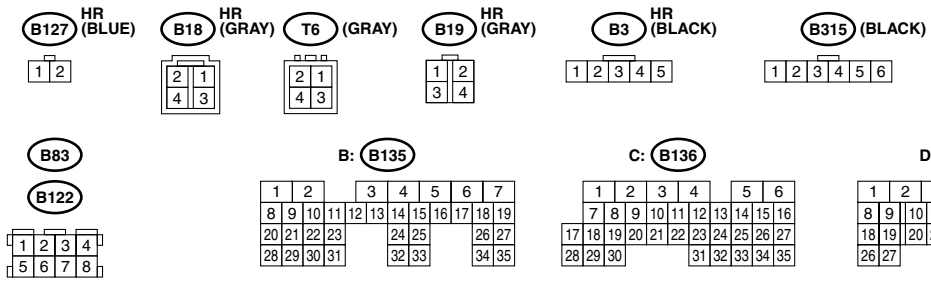
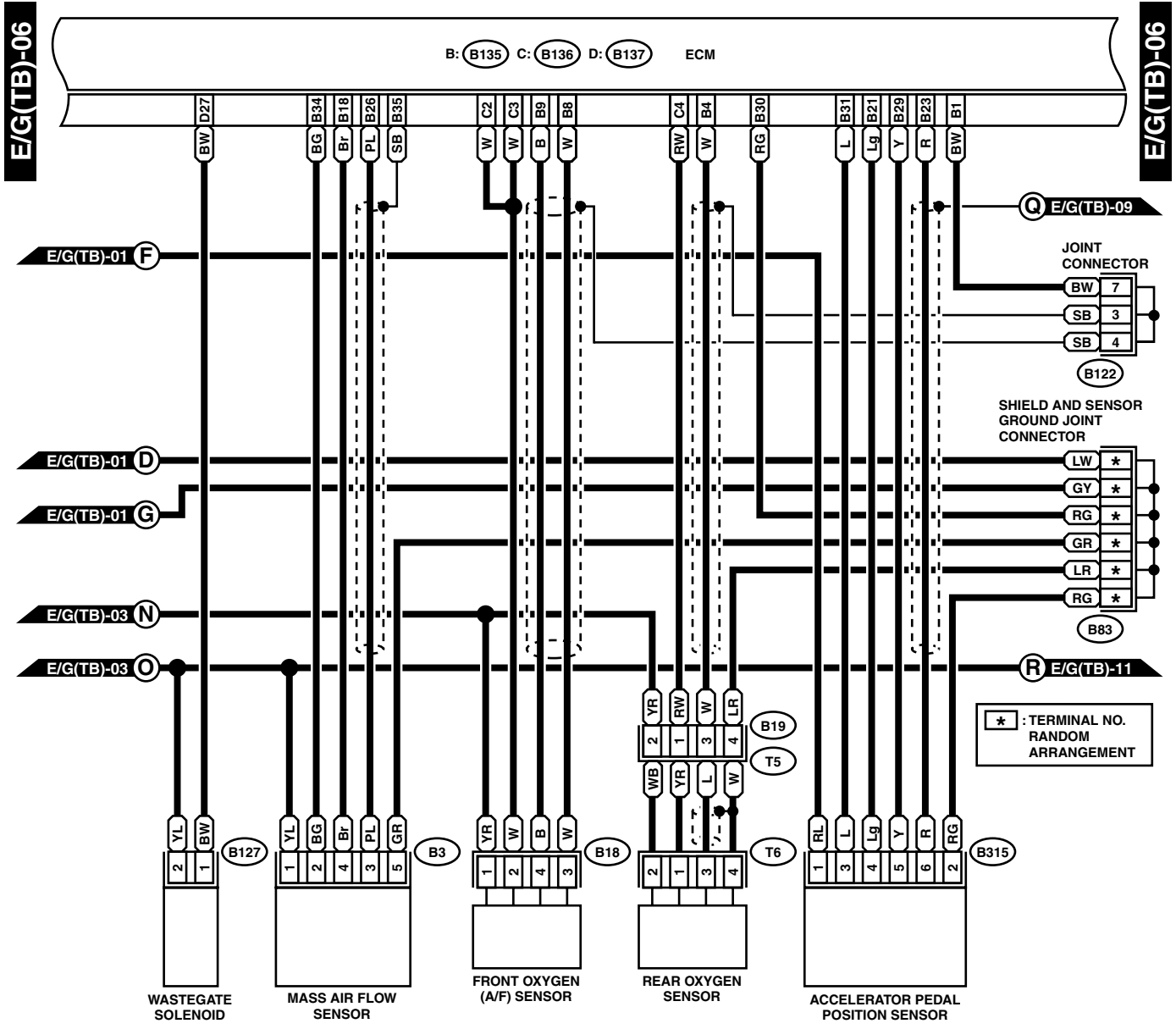
WIRING SYSTEM



WI-08888

Engine Electrical System

WIRING SYSTEM



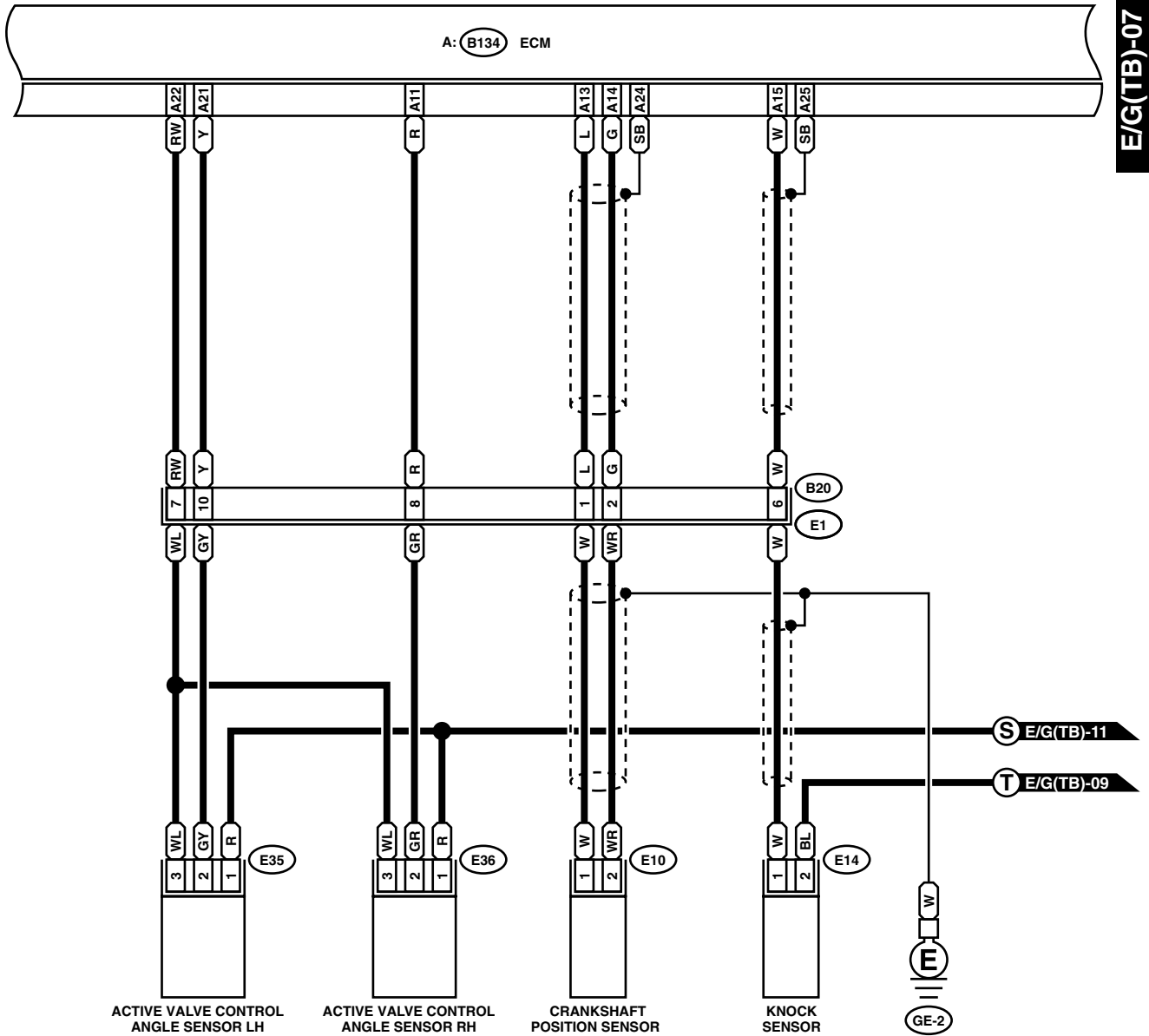
WI-08889

Engine Electrical System

WIRING SYSTEM

E/G(TB)-07

E/G(TB)-07



E10 (LIGHT GRAY)

E35 (LIGHT GRAY)

B20 HR (BROWN)

A: (B134)

E14 (LIGHT GRAY)

E36 (LIGHT GRAY)

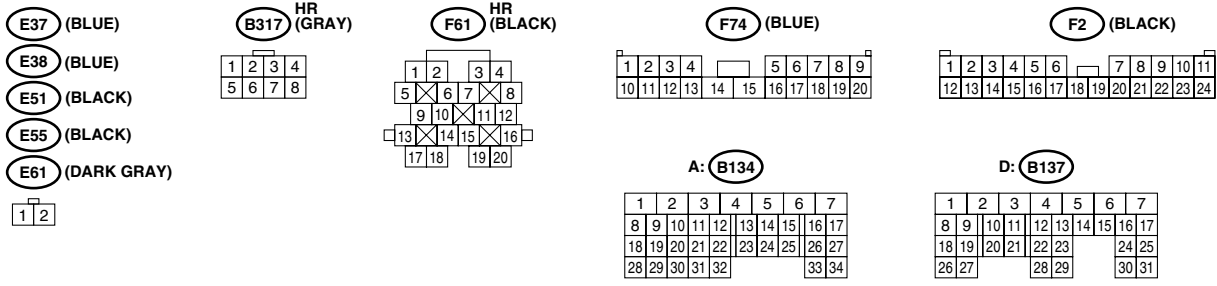
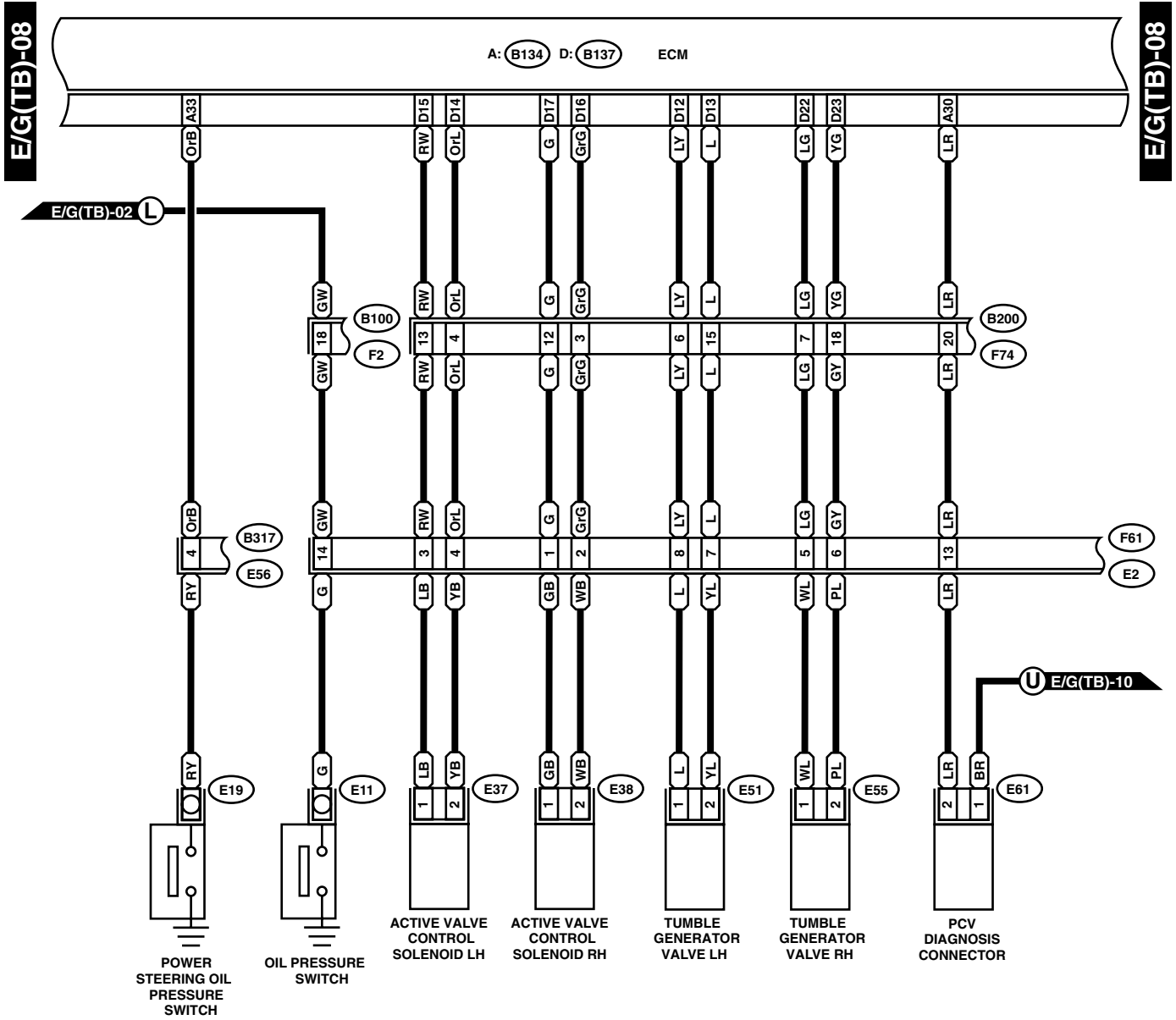
1	2	3	4
5	6	7	
8	9	10	

1	2	3	4	5	6	7			
8	9	10	11	12	13	14	15	16	17
18	19	20	21	22	23	24	25	26	27
28	29	30	31	32		33	34		

WI-08890

Engine Electrical System

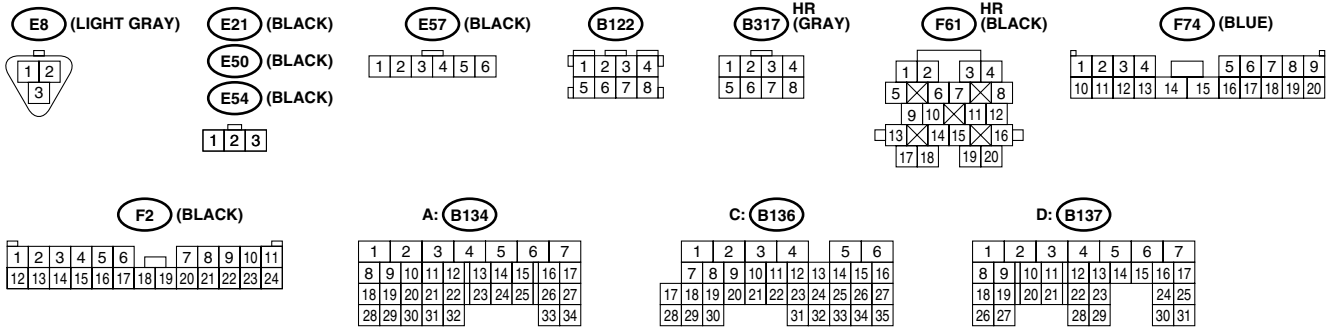
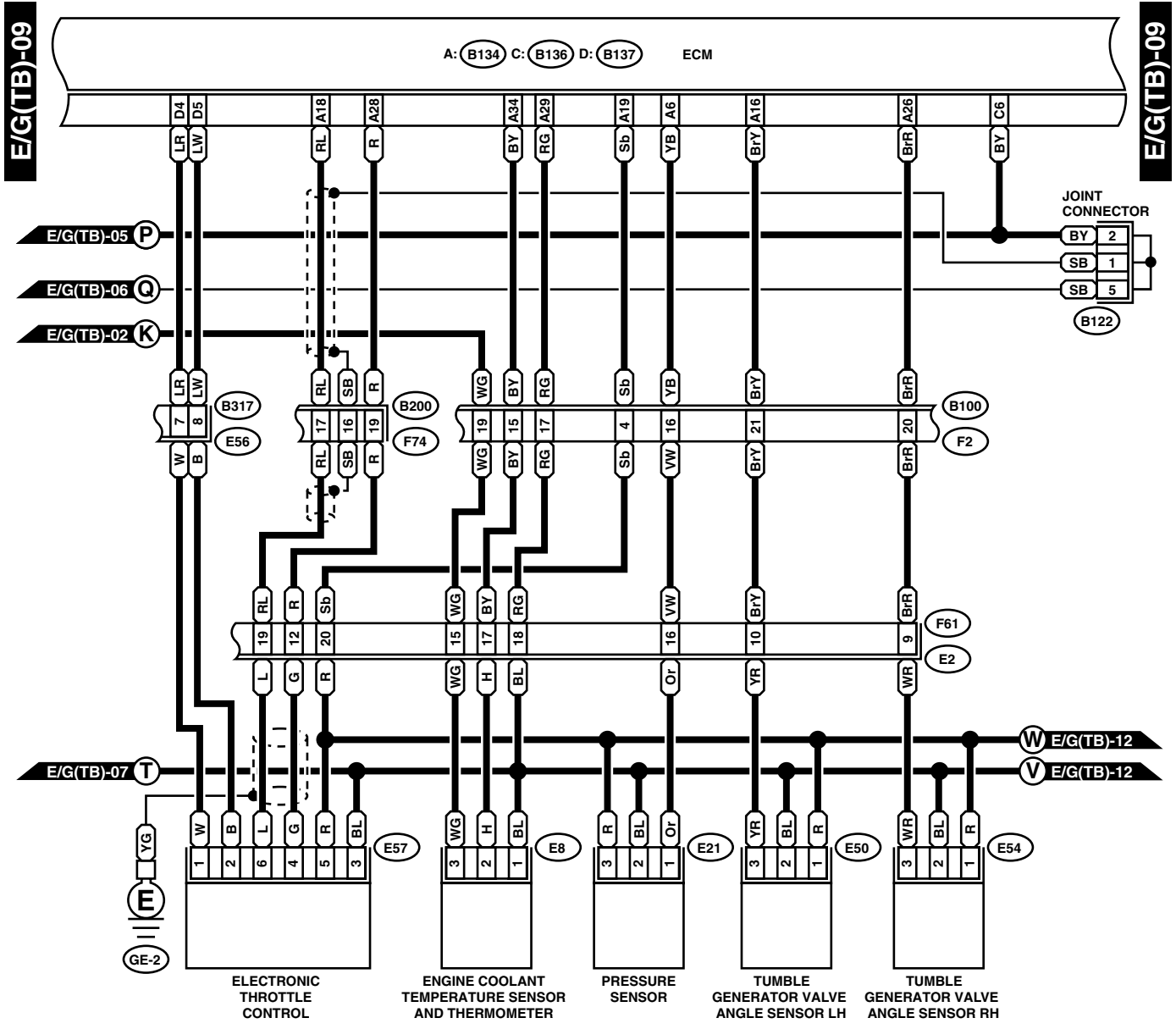
WIRING SYSTEM



WI-08891

Engine Electrical System

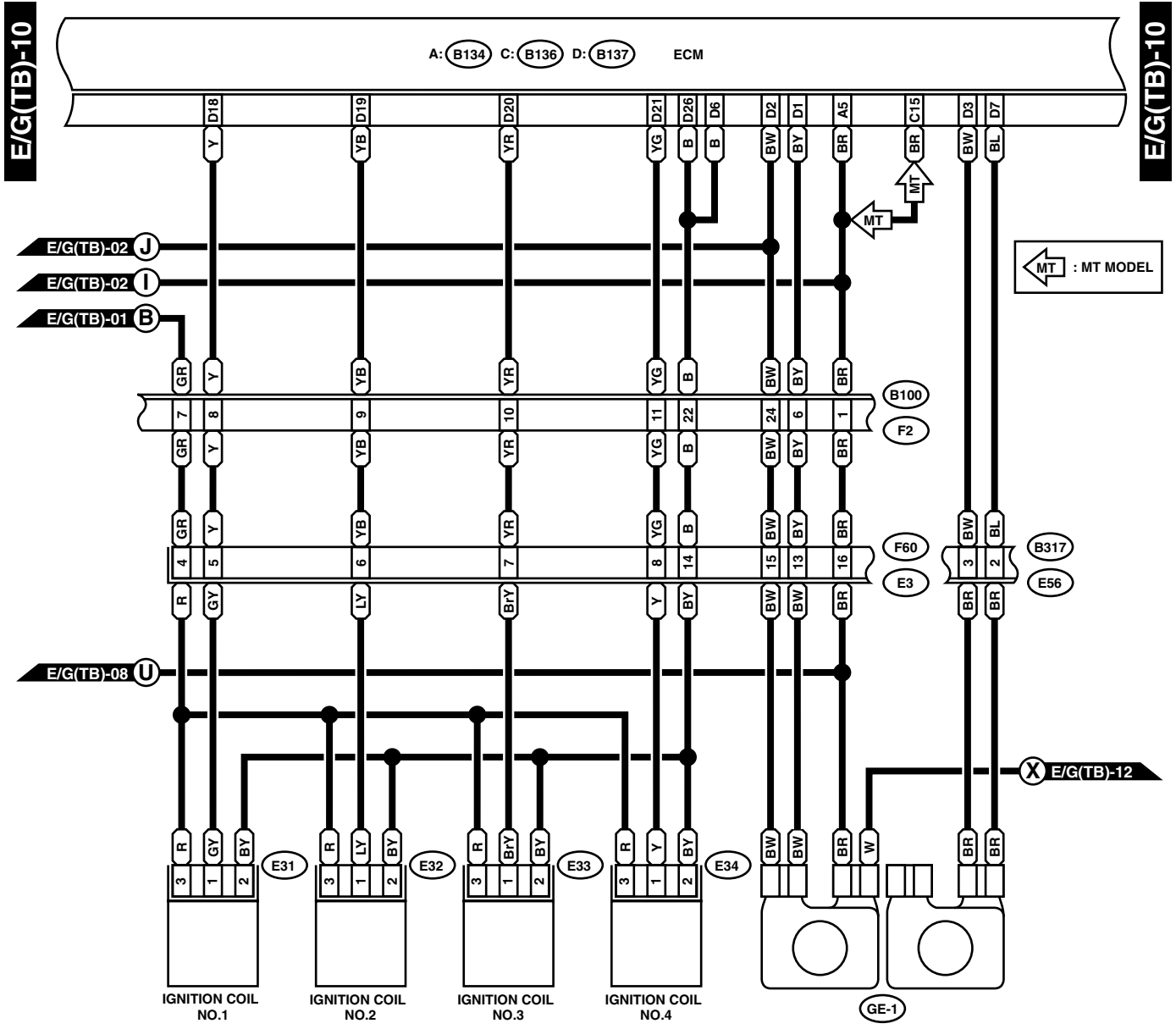
WIRING SYSTEM



WI-08892

Engine Electrical System

WIRING SYSTEM

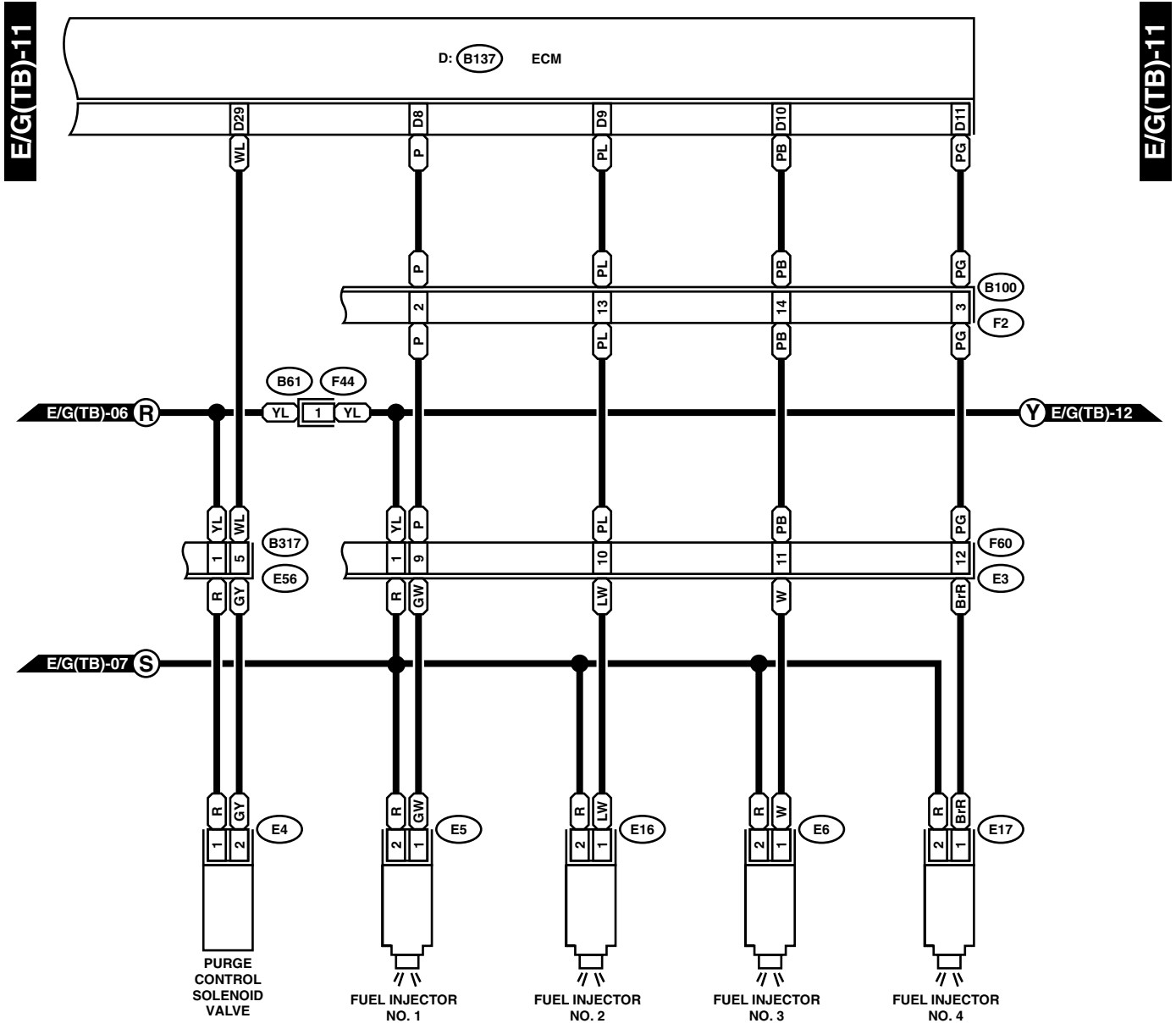


E31 (WHITE)	B317 (GRAY)	F60 (BROWN)	F2 (BLACK)																																																																																																						
E32 (WHITE)	<table border="1"> <tr><td>1</td><td>2</td><td>3</td><td>4</td></tr> <tr><td>5</td><td>6</td><td>7</td><td>8</td></tr> </table>	1	2	3	4	5	6	7	8	<table border="1"> <tr><td>1</td><td>2</td><td>3</td><td>4</td><td>5</td><td>6</td><td>7</td><td>8</td><td>9</td><td>10</td><td>11</td></tr> <tr><td>12</td><td>13</td><td>14</td><td>15</td><td>16</td><td>17</td><td>18</td><td>19</td><td>20</td><td>21</td><td>22</td><td>23</td><td>24</td></tr> </table>	1	2	3	4	5	6	7	8	9	10	11	12	13	14	15	16	17	18	19	20	21	22	23	24																																																																							
1	2	3	4																																																																																																						
5	6	7	8																																																																																																						
1	2	3	4	5	6	7	8	9	10	11																																																																																															
12	13	14	15	16	17	18	19	20	21	22	23	24																																																																																													
E33 (BLACK)																																																																																																									
E34 (BLACK)																																																																																																									
<table border="1"> <tr><td>1</td></tr> <tr><td>2</td></tr> <tr><td>3</td></tr> </table>	1	2	3	A: B134	C: B136	D: B137																																																																																																			
1																																																																																																									
2																																																																																																									
3																																																																																																									
	<table border="1"> <tr><td>1</td><td>2</td><td>3</td><td>4</td><td>5</td><td>6</td><td>7</td></tr> <tr><td>8</td><td>9</td><td>10</td><td>11</td><td>12</td><td>13</td><td>14</td><td>15</td><td>16</td><td>17</td></tr> <tr><td>18</td><td>19</td><td>20</td><td>21</td><td>22</td><td>23</td><td>24</td><td>25</td><td>26</td><td>27</td></tr> <tr><td>28</td><td>29</td><td>30</td><td>31</td><td>32</td><td>33</td><td>34</td></tr> </table>	1	2	3	4	5	6	7	8	9	10	11	12	13	14	15	16	17	18	19	20	21	22	23	24	25	26	27	28	29	30	31	32	33	34	<table border="1"> <tr><td>1</td><td>2</td><td>3</td><td>4</td><td>5</td><td>6</td></tr> <tr><td>7</td><td>8</td><td>9</td><td>10</td><td>11</td><td>12</td><td>13</td><td>14</td><td>15</td><td>16</td></tr> <tr><td>17</td><td>18</td><td>19</td><td>20</td><td>21</td><td>22</td><td>23</td><td>24</td><td>25</td><td>26</td><td>27</td></tr> <tr><td>28</td><td>29</td><td>30</td><td>31</td><td>32</td><td>33</td><td>34</td><td>35</td></tr> </table>	1	2	3	4	5	6	7	8	9	10	11	12	13	14	15	16	17	18	19	20	21	22	23	24	25	26	27	28	29	30	31	32	33	34	35	<table border="1"> <tr><td>1</td><td>2</td><td>3</td><td>4</td><td>5</td><td>6</td><td>7</td></tr> <tr><td>8</td><td>9</td><td>10</td><td>11</td><td>12</td><td>13</td><td>14</td><td>15</td><td>16</td><td>17</td></tr> <tr><td>18</td><td>19</td><td>20</td><td>21</td><td>22</td><td>23</td><td>24</td><td>25</td><td>26</td><td>27</td></tr> <tr><td>26</td><td>27</td><td>28</td><td>29</td><td>30</td><td>31</td></tr> </table>	1	2	3	4	5	6	7	8	9	10	11	12	13	14	15	16	17	18	19	20	21	22	23	24	25	26	27	26	27	28	29	30	31
1	2	3	4	5	6	7																																																																																																			
8	9	10	11	12	13	14	15	16	17																																																																																																
18	19	20	21	22	23	24	25	26	27																																																																																																
28	29	30	31	32	33	34																																																																																																			
1	2	3	4	5	6																																																																																																				
7	8	9	10	11	12	13	14	15	16																																																																																																
17	18	19	20	21	22	23	24	25	26	27																																																																																															
28	29	30	31	32	33	34	35																																																																																																		
1	2	3	4	5	6	7																																																																																																			
8	9	10	11	12	13	14	15	16	17																																																																																																
18	19	20	21	22	23	24	25	26	27																																																																																																
26	27	28	29	30	31																																																																																																				

WI-08893

Engine Electrical System

WIRING SYSTEM



- (E5) (DARK GRAY)
- (E6) (DARK GRAY)
- (E16) (DARK GRAY)
- (E17) (DARK GRAY)

- (E4) (BLACK)

- (F44) (GRAY)
- (B317) (GRAY)

- (F60) (BROWN)

- (F2) (BLACK)

D: (B137)

1	2	3	4	5	6	7
8	9	10	11	12	13	14
15	16	17	18	19	20	21
22	23	24	25	26	27	28
29	30	31				

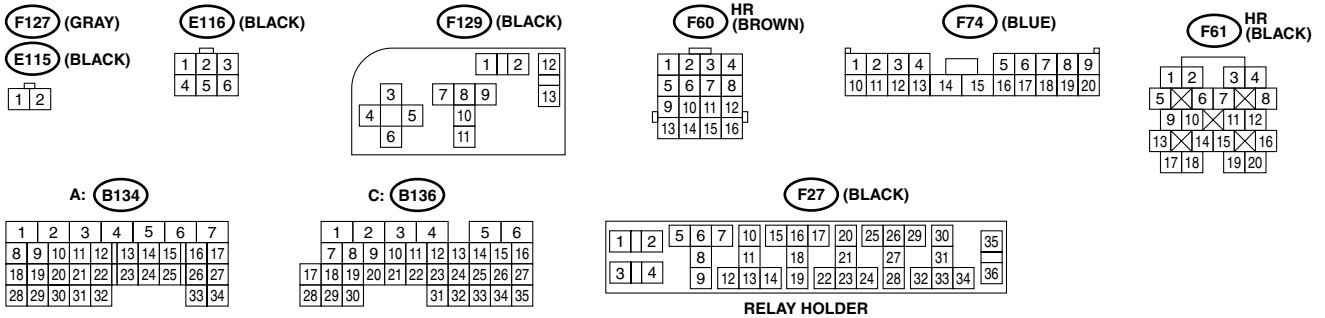
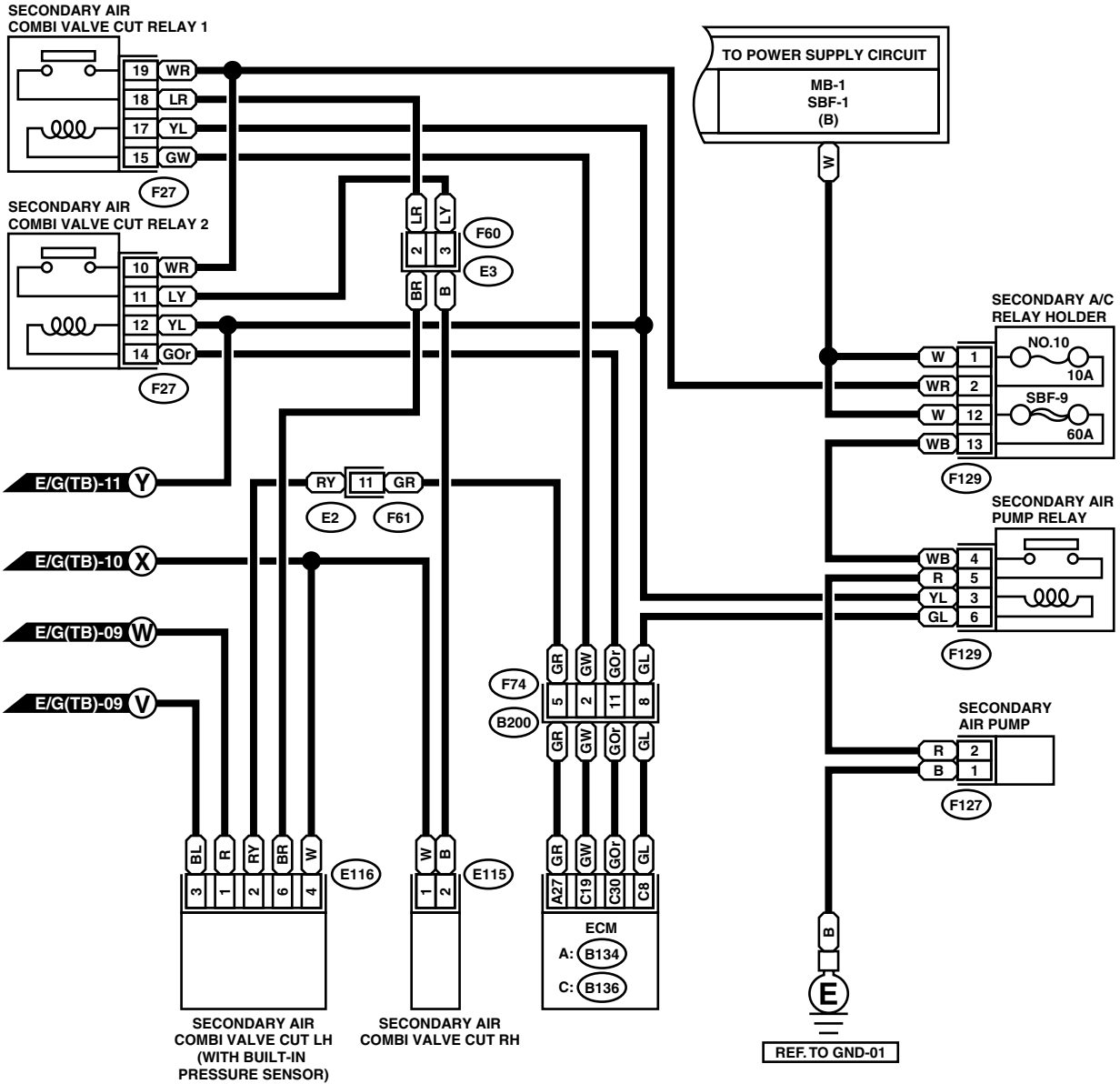
WI-08894

Engine Electrical System

WIRING SYSTEM

E/G(TB)-12

E/G(TB)-12



WI-09174