

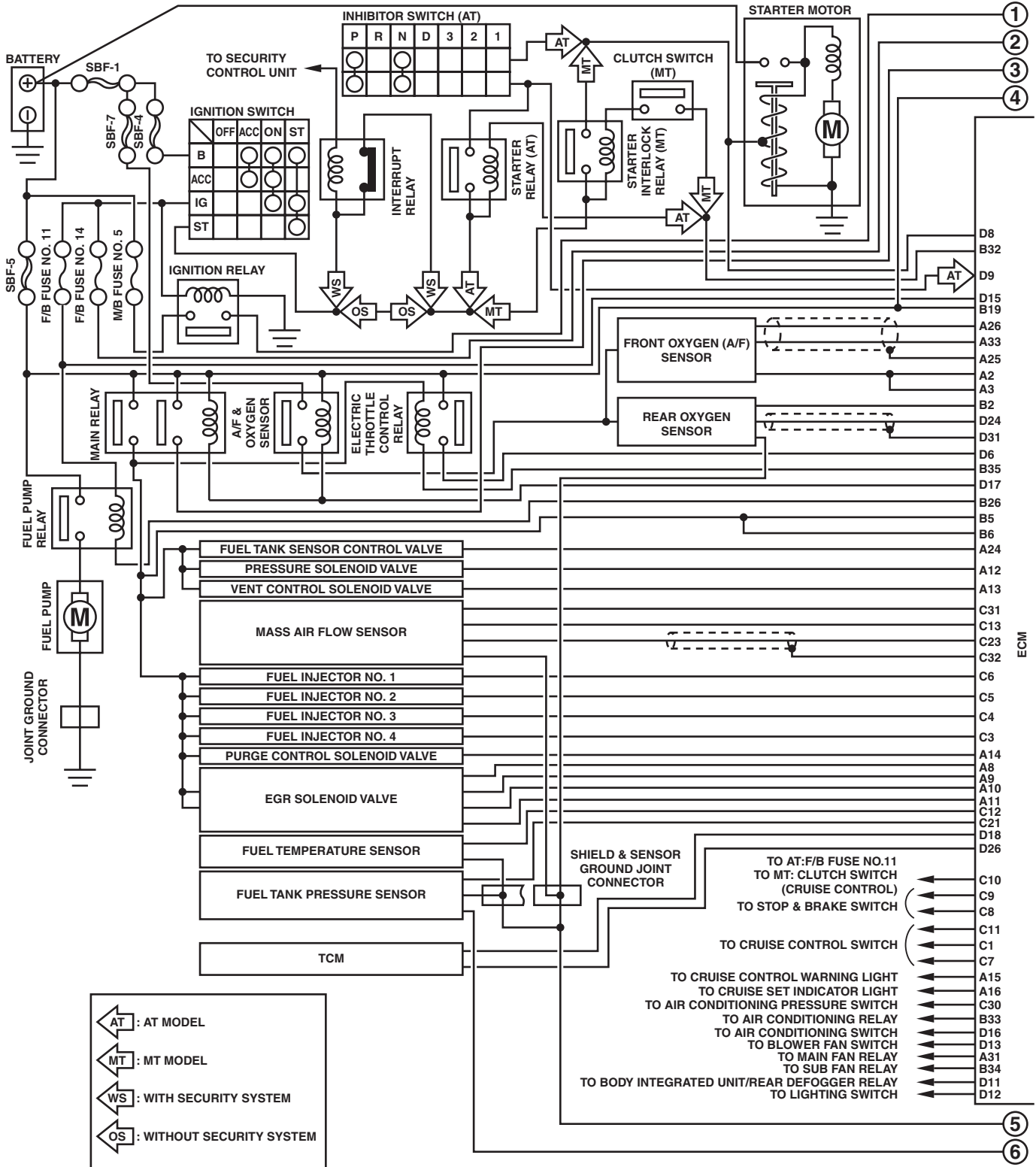
Engine Electrical System

WIRING SYSTEM

5. Engine Electrical System

A: WIRING DIAGRAM

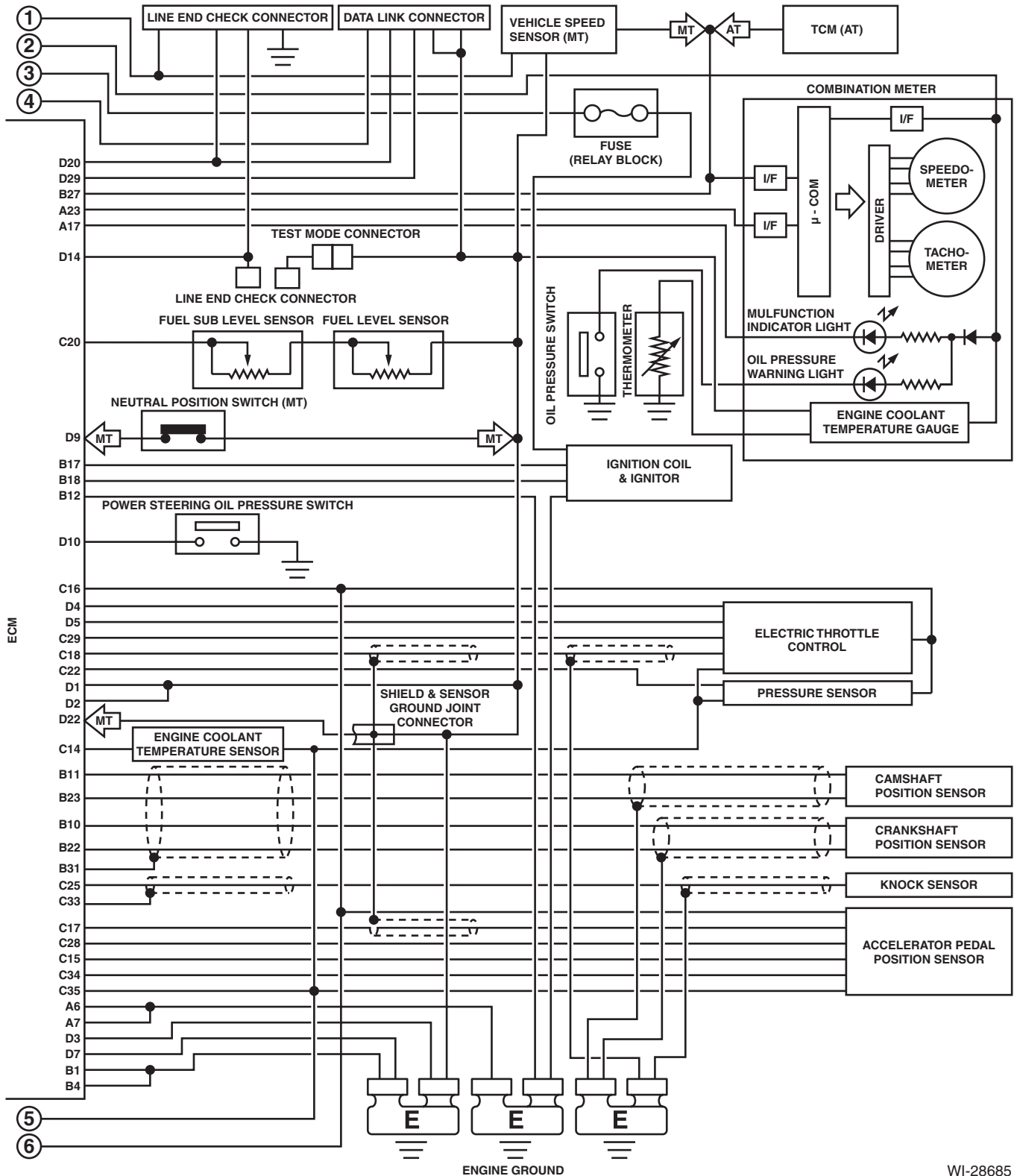
1. NON-TURBO MODEL



WI-05676

Engine Electrical System

WIRING SYSTEM



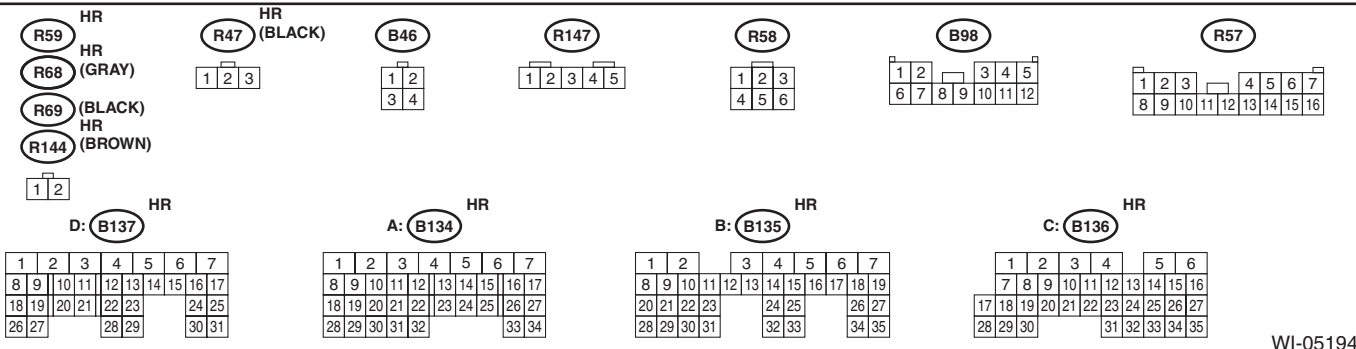
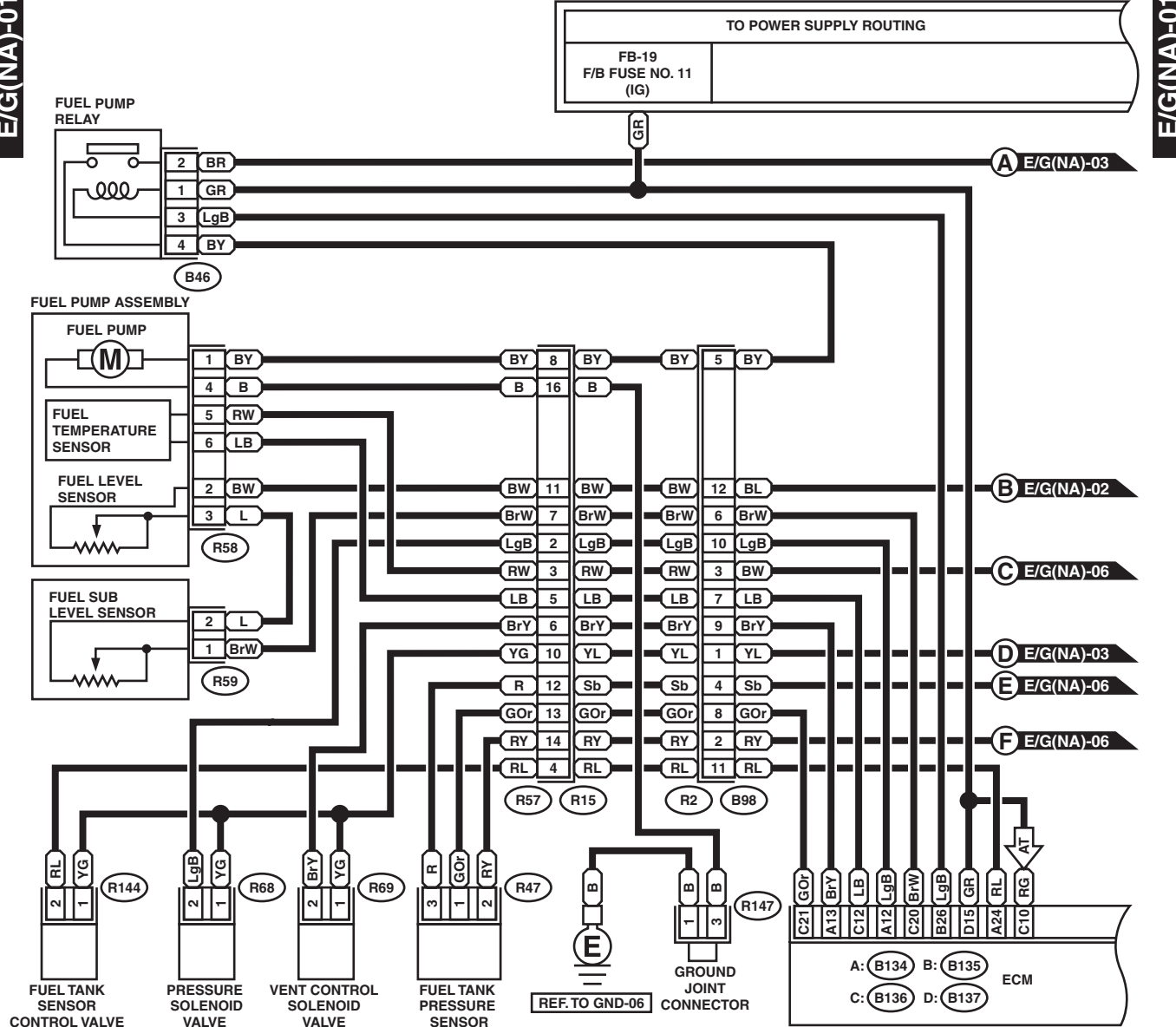
WI-28685

Engine Electrical System

WIRING SYSTEM

E/G(NA)-01

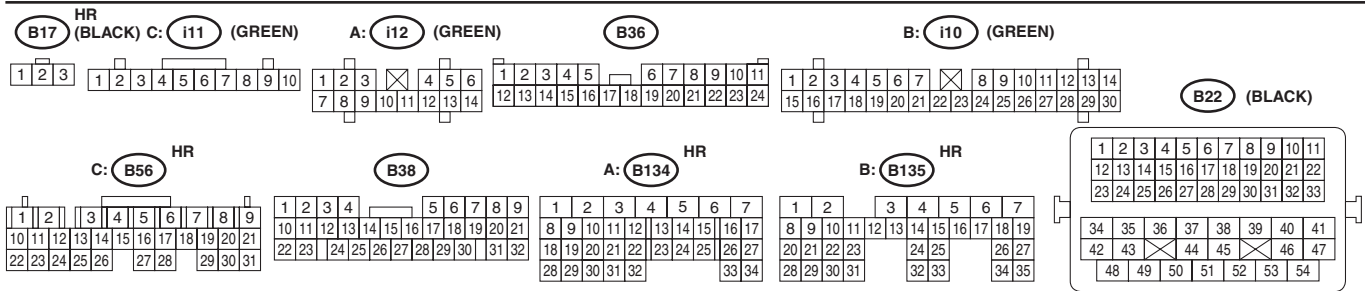
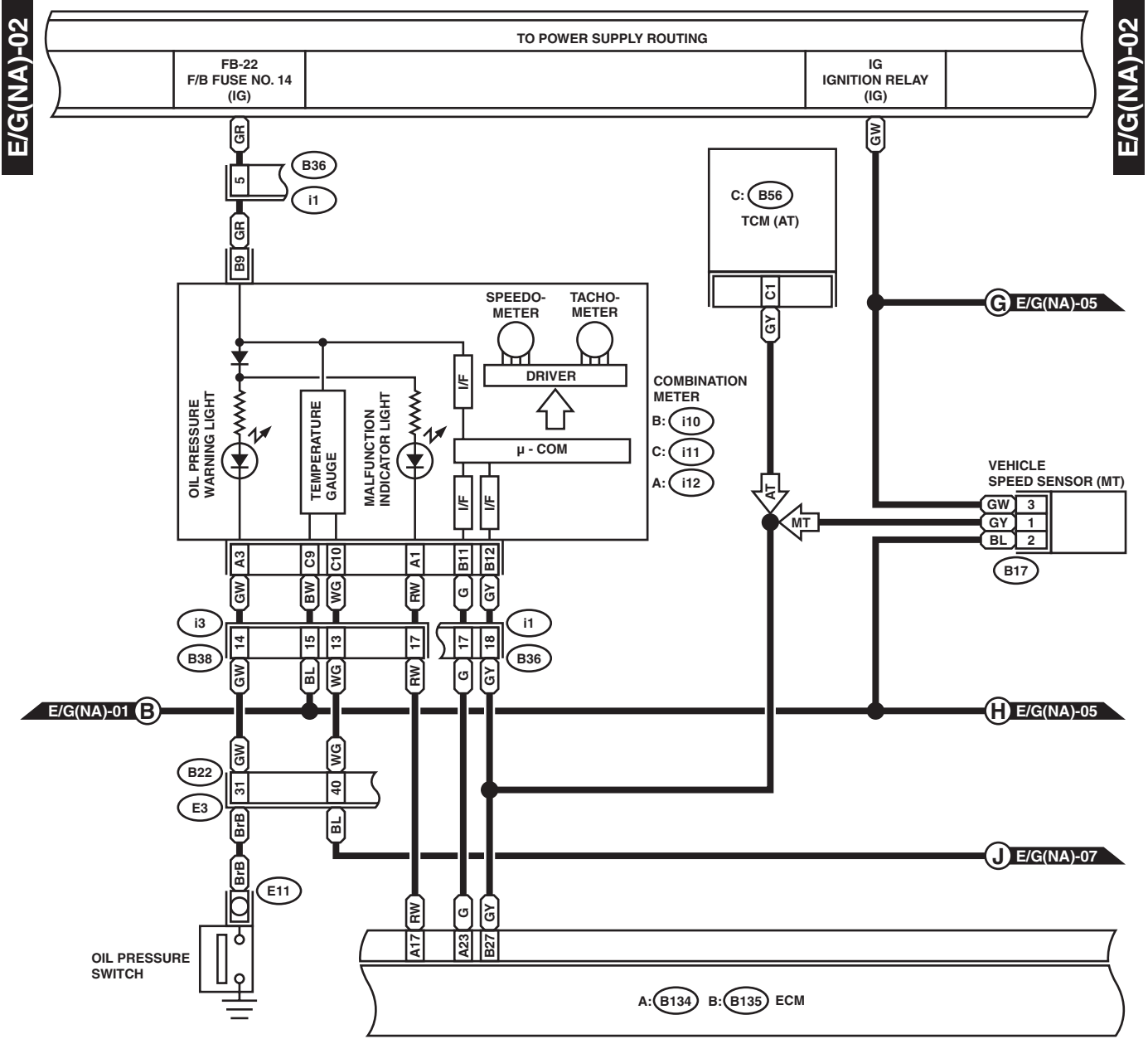
E/G(NA)-01



WI-05194

Engine Electrical System

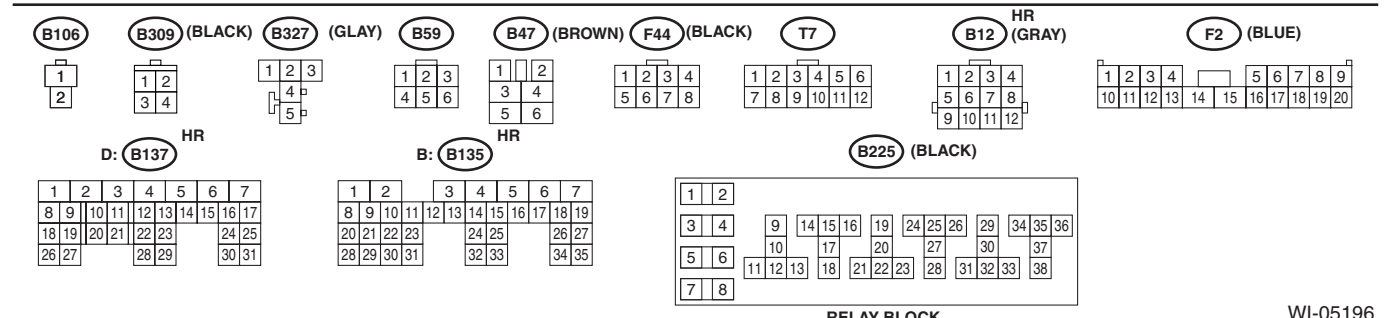
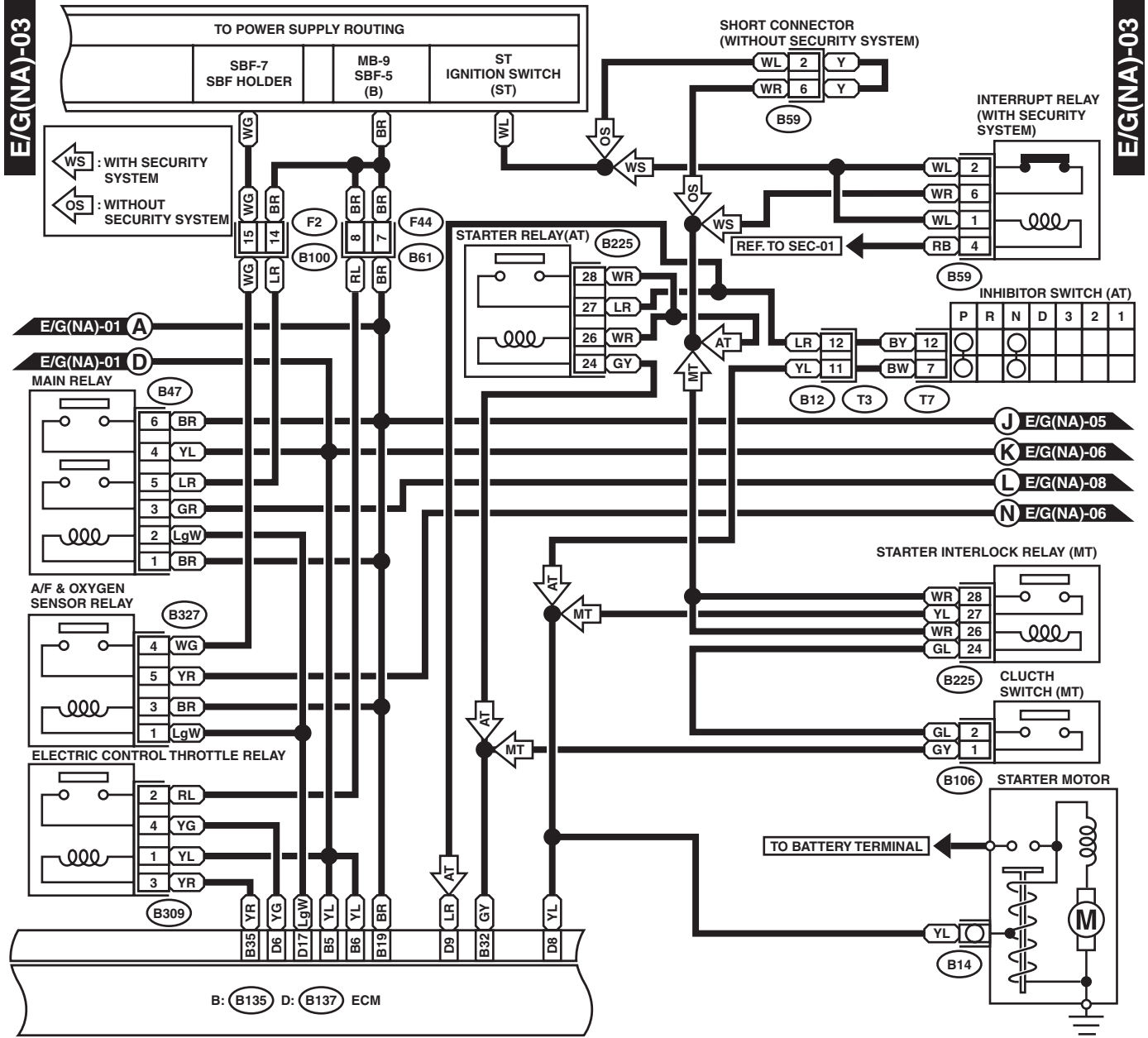
WIRING SYSTEM



WI-05195

Engine Electrical System

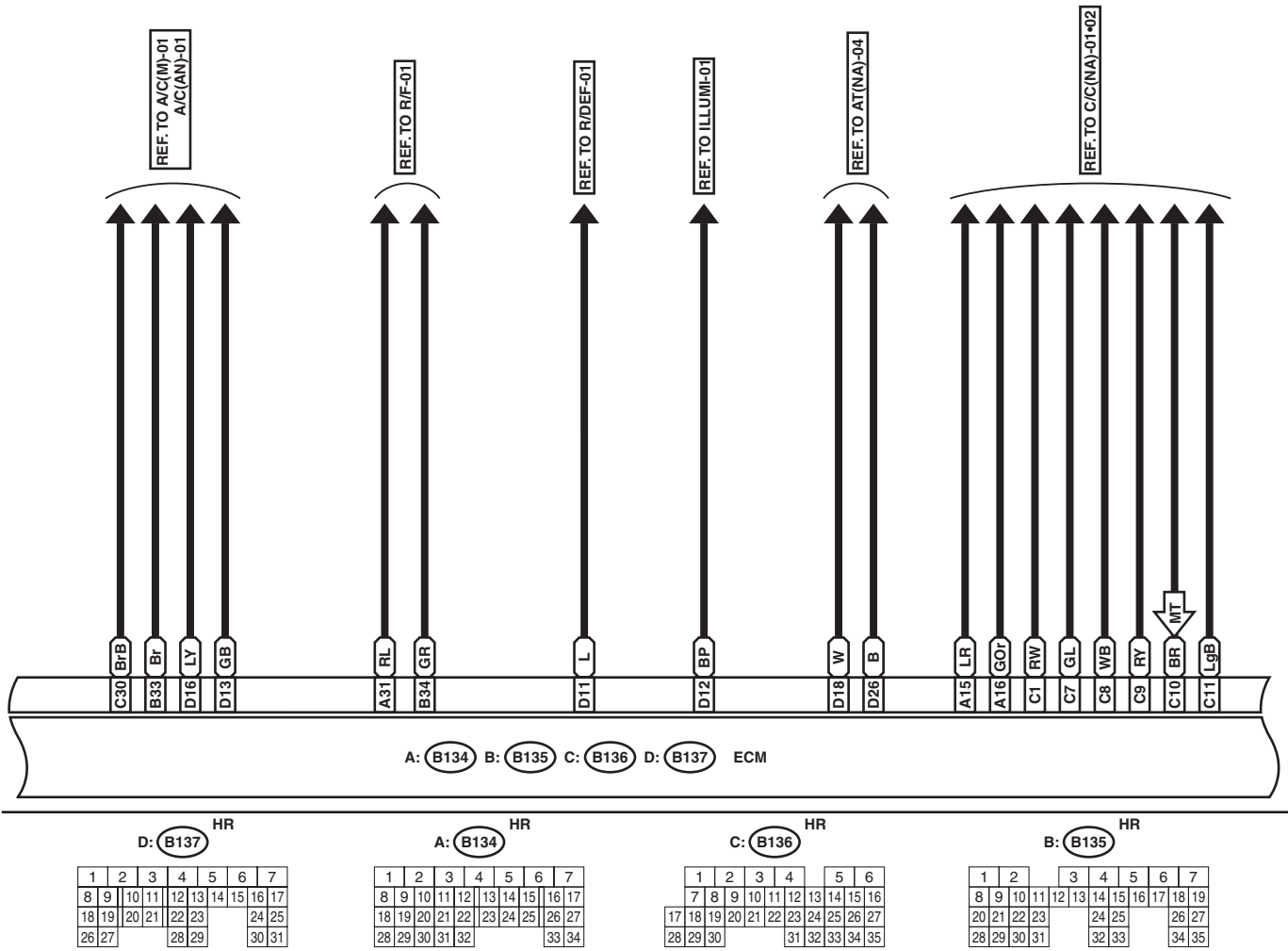
WIRING SYSTEM



WI-05196

E/G(NA)-04

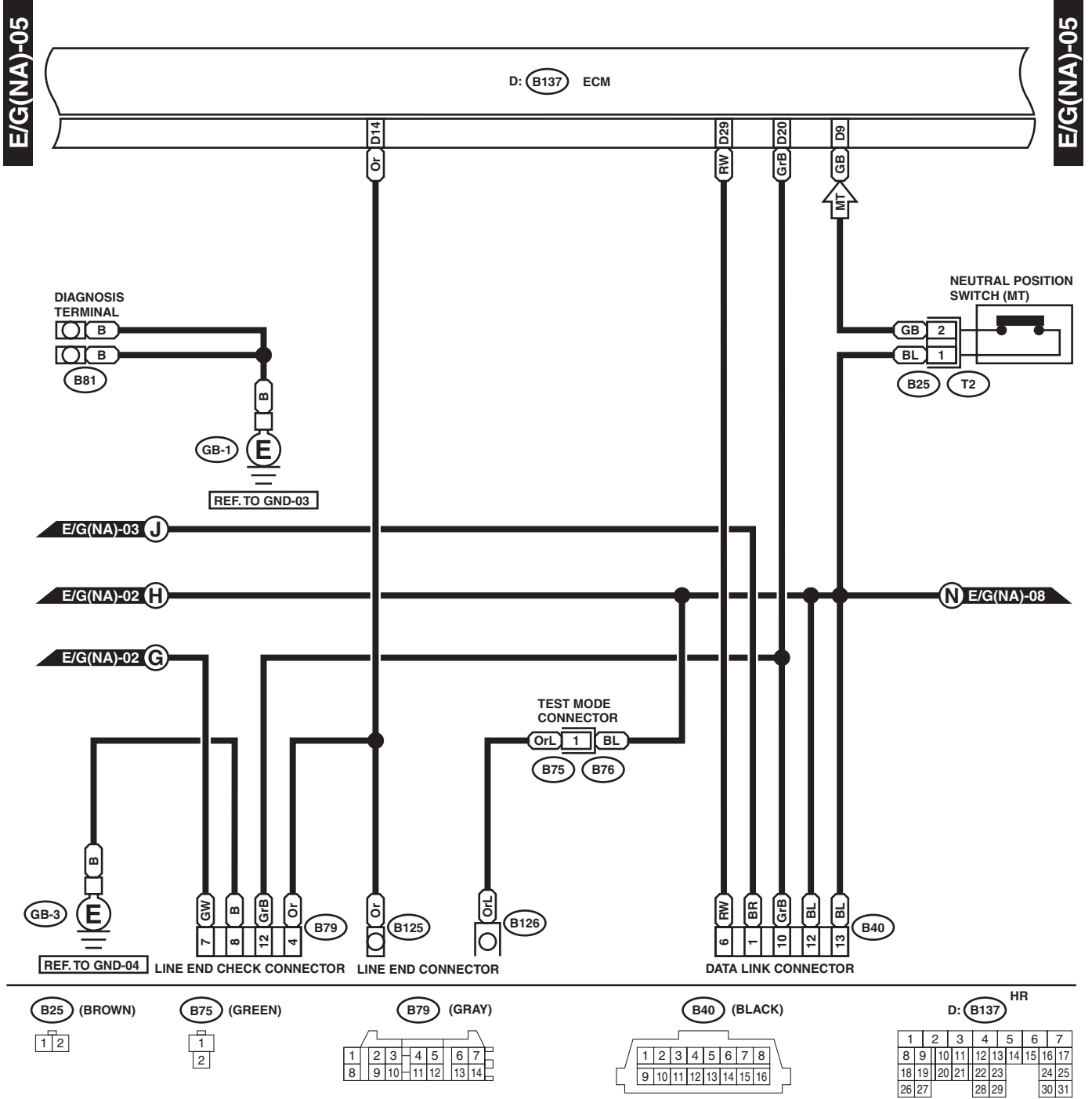
E/G(NA)-04



WI-05197

Engine Electrical System

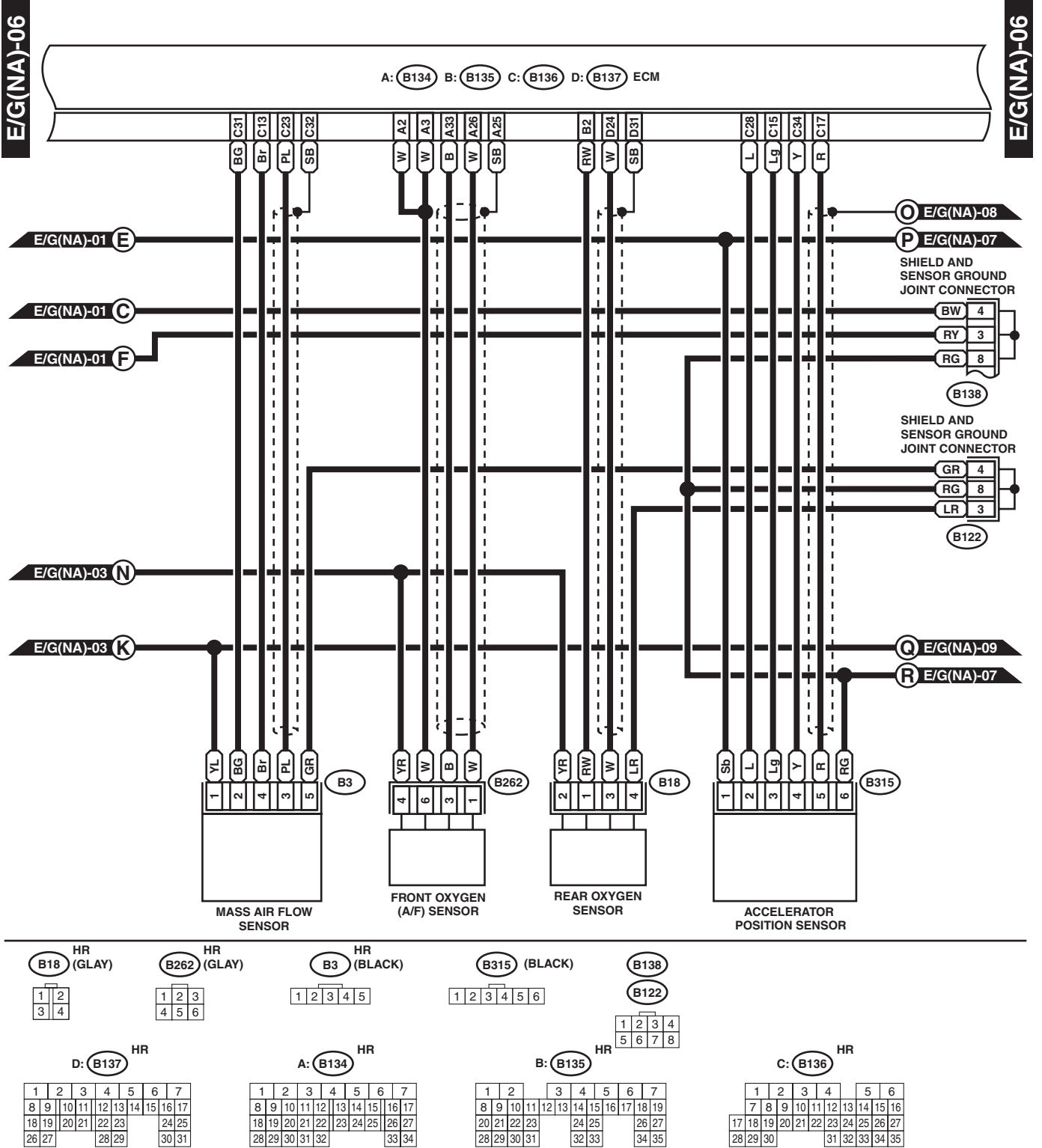
WIRING SYSTEM



WI-28686

Engine Electrical System

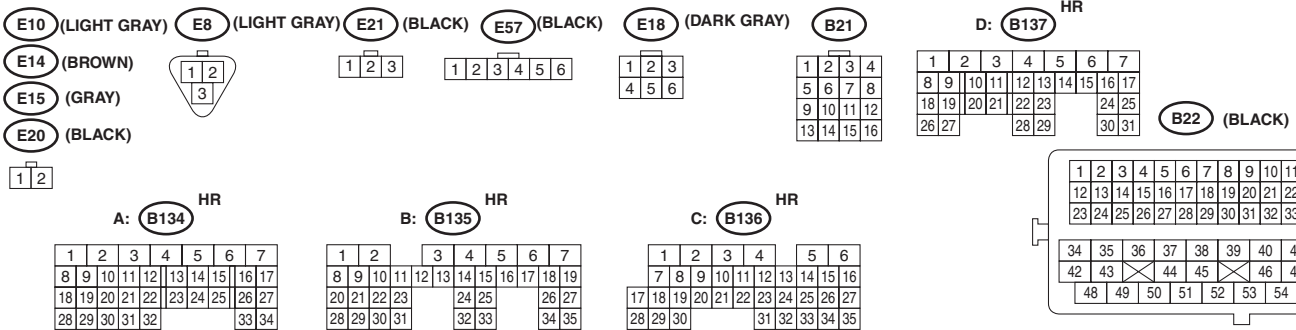
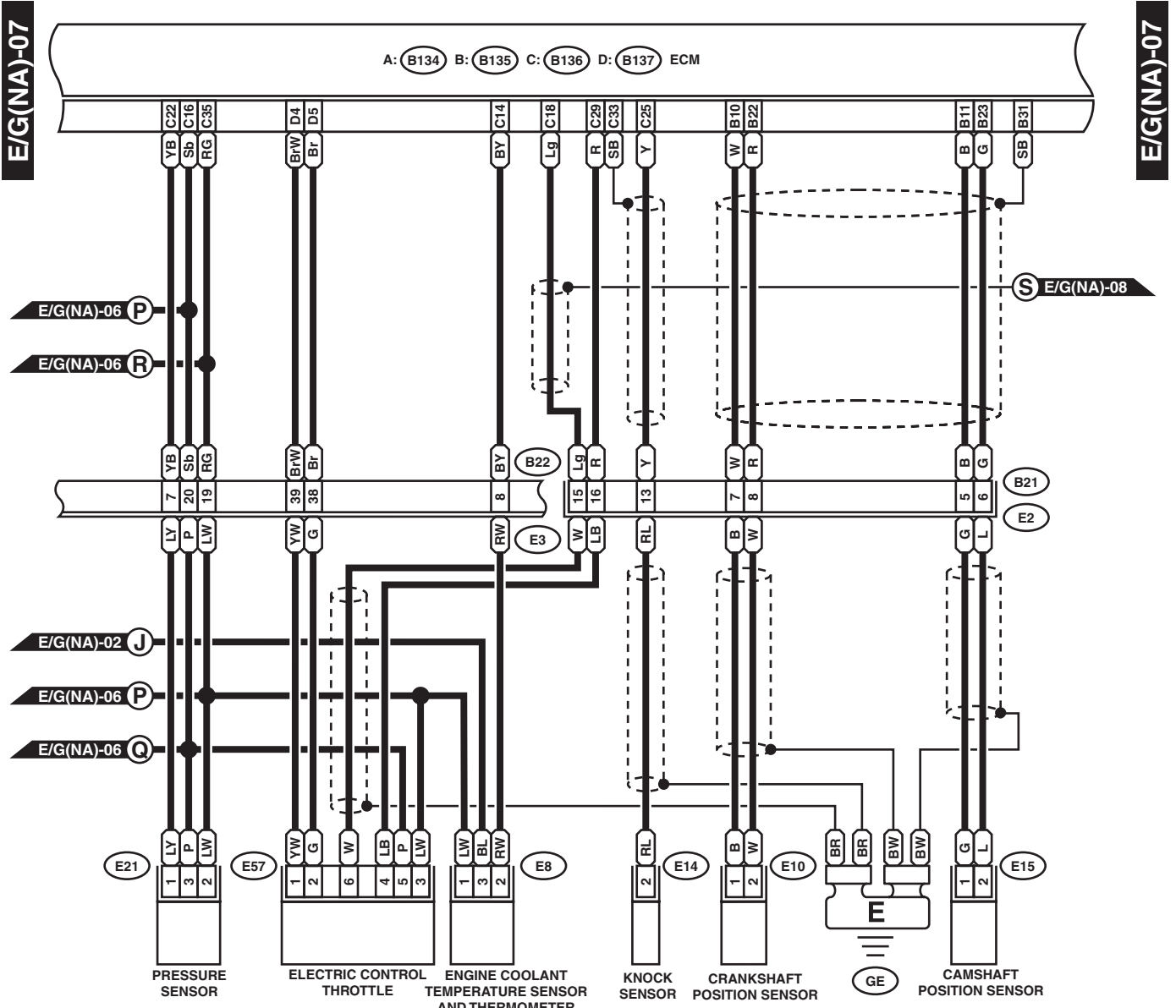
WIRING SYSTEM



WI-05199

Engine Electrical System

WIRING SYSTEM



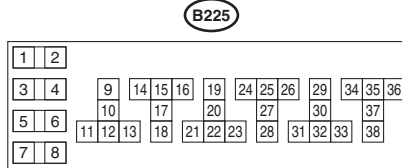
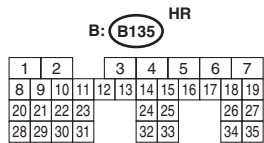
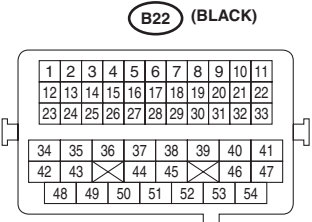
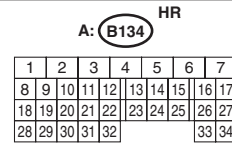
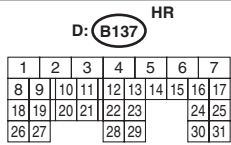
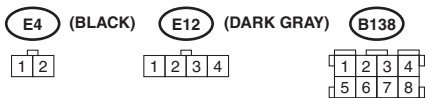
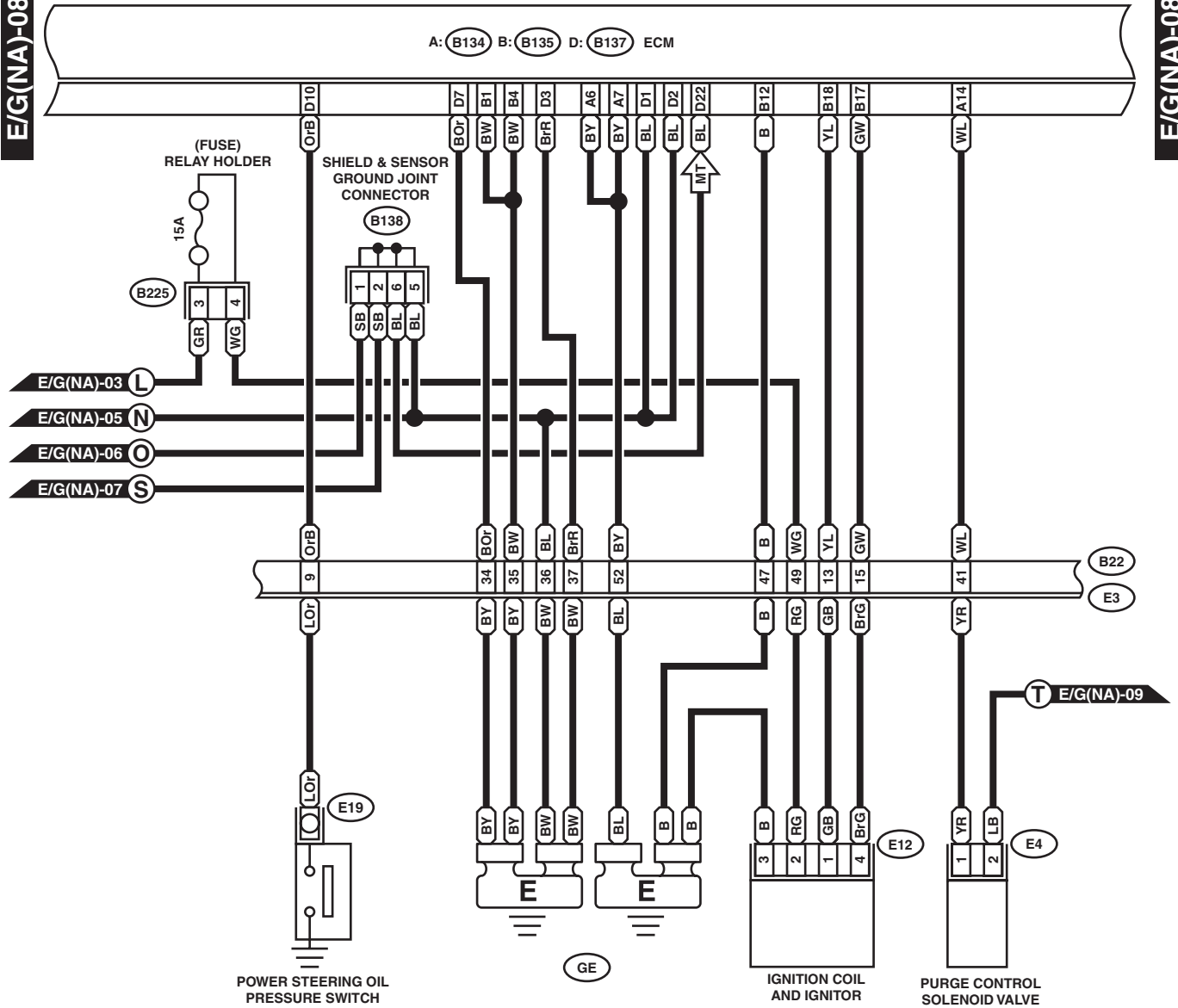
WI-05200

Engine Electrical System

WIRING SYSTEM

E/G(NA)-08

E/G(NA)-08

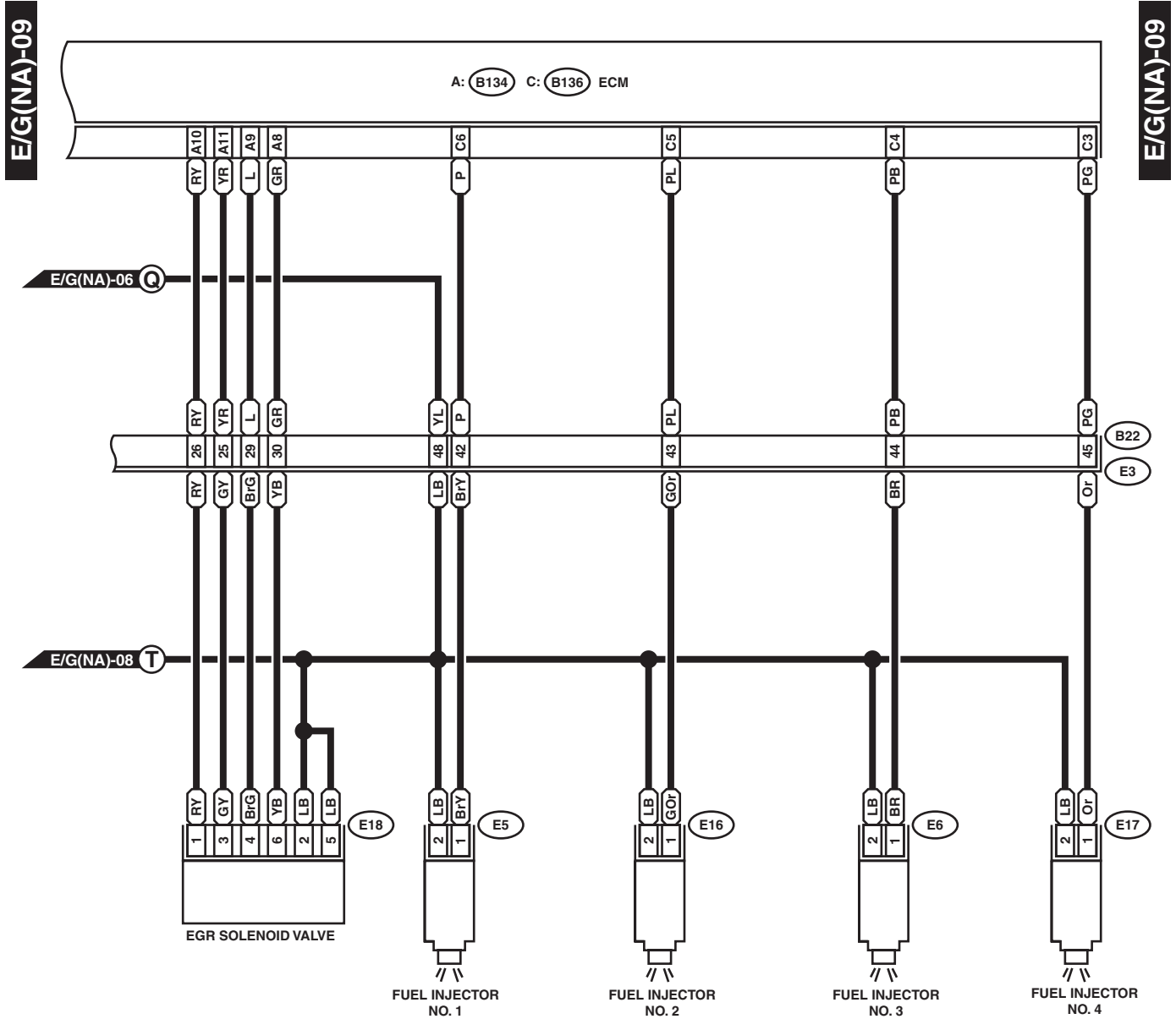


RELAY HOLDER

WI-05201

Engine Electrical System

WIRING SYSTEM



- E5** (DARK GRAY)
- E6** (DARK GRAY)
- E16** (DARK GRAY)
- E17** (DARK GRAY)

- B328** (GRAY)
 - E18** (DARK GRAY)
- | | | |
|---|---|---|
| 1 | 2 | 3 |
| 4 | 5 | 6 |

HR
A: **B134**

1	2	3	4	5	6	7
8	9	10	11	12	13	14
15	16	17	18	19	20	21
22	23	24	25	26	27	28
29	30	31	32	33	34	35

HR
C: **B136**

1	2	3	4	5	6
7	8	9	10	11	12
13	14	15	16	17	18
19	20	21	22	23	24
25	26	27	28	29	30
31	32	33	34	35	

B22 (BLACK)

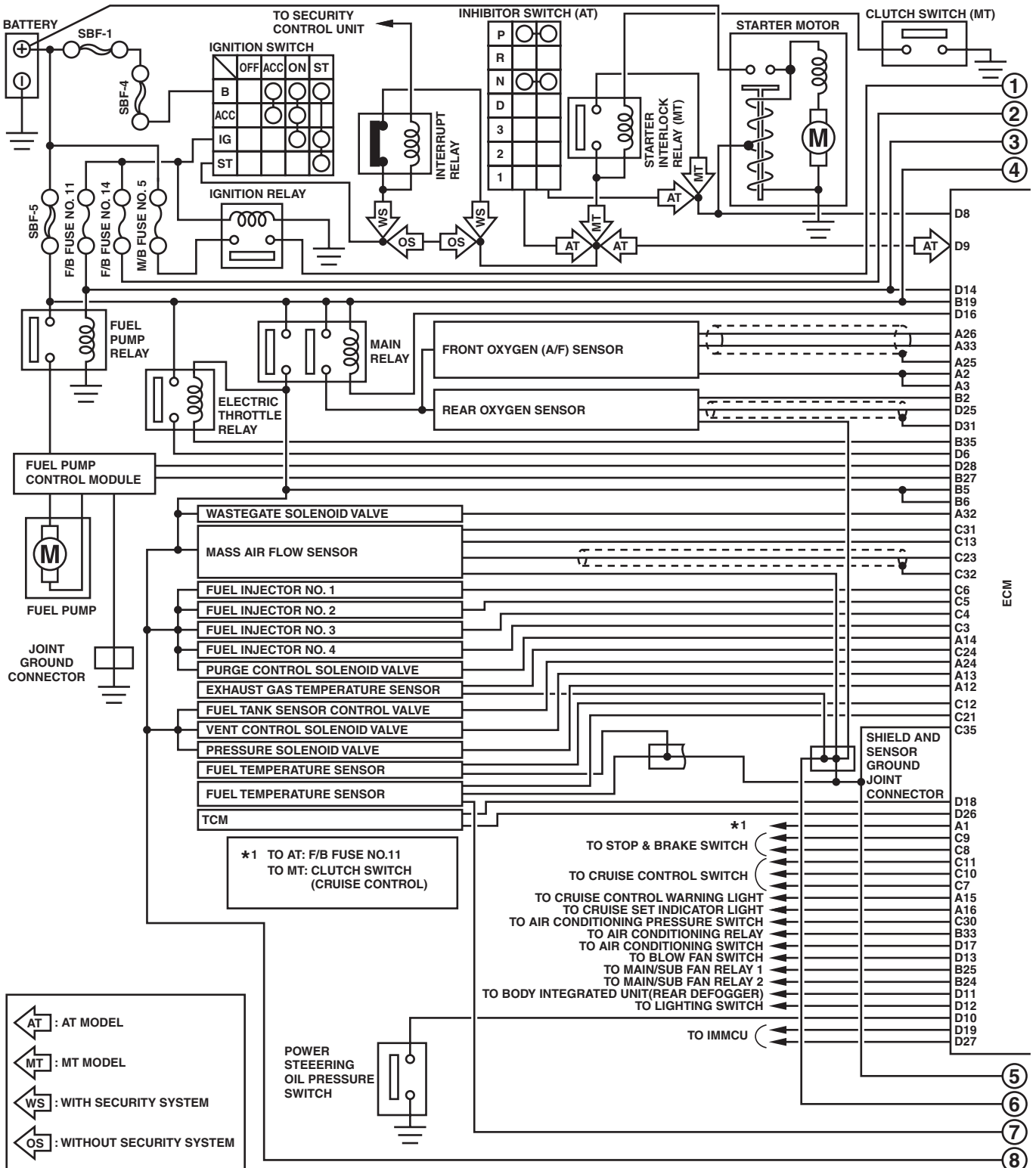
1	2	3	4	5	6	7	8	9	10	11
12	13	14	15	16	17	18	19	20	21	22
23	24	25	26	27	28	29	30	31	32	33
34	35	36	37	38	39	40	41			
42	43	44	45	46	47					
48	49	50	51	52	53	54				

WI-05202

Engine Electrical System

WIRING SYSTEM

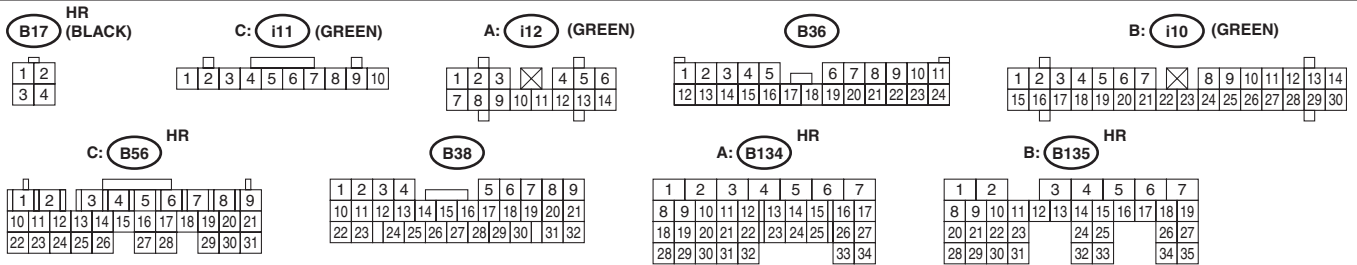
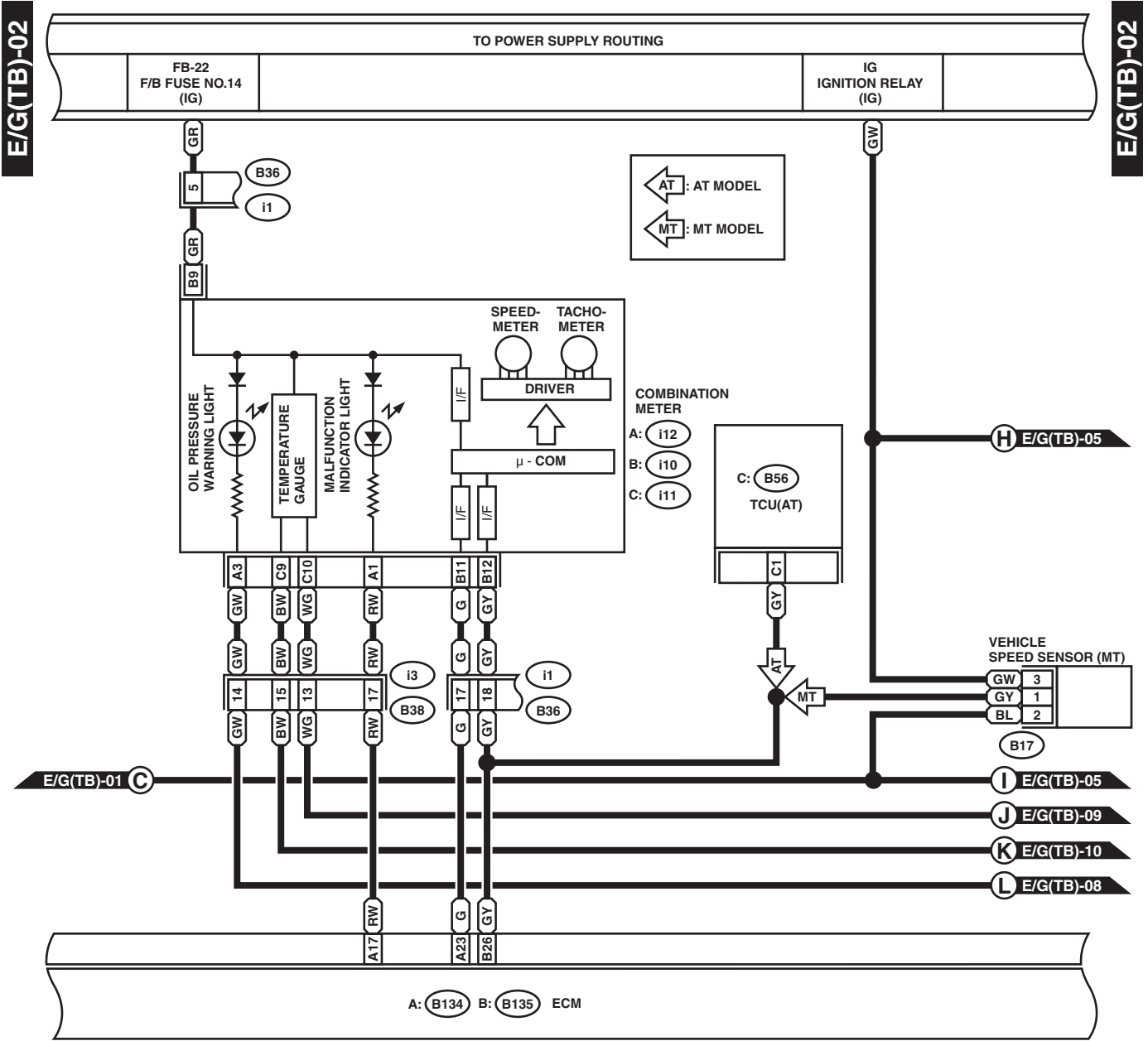
2. TURBO MODEL



WI-05678

Engine Electrical System

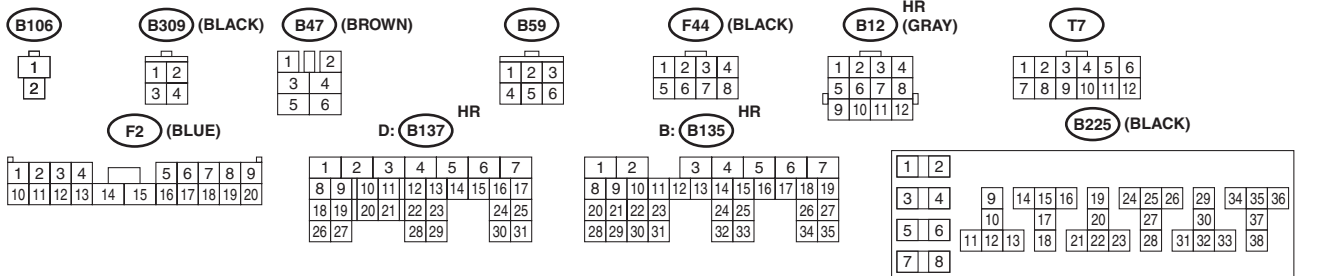
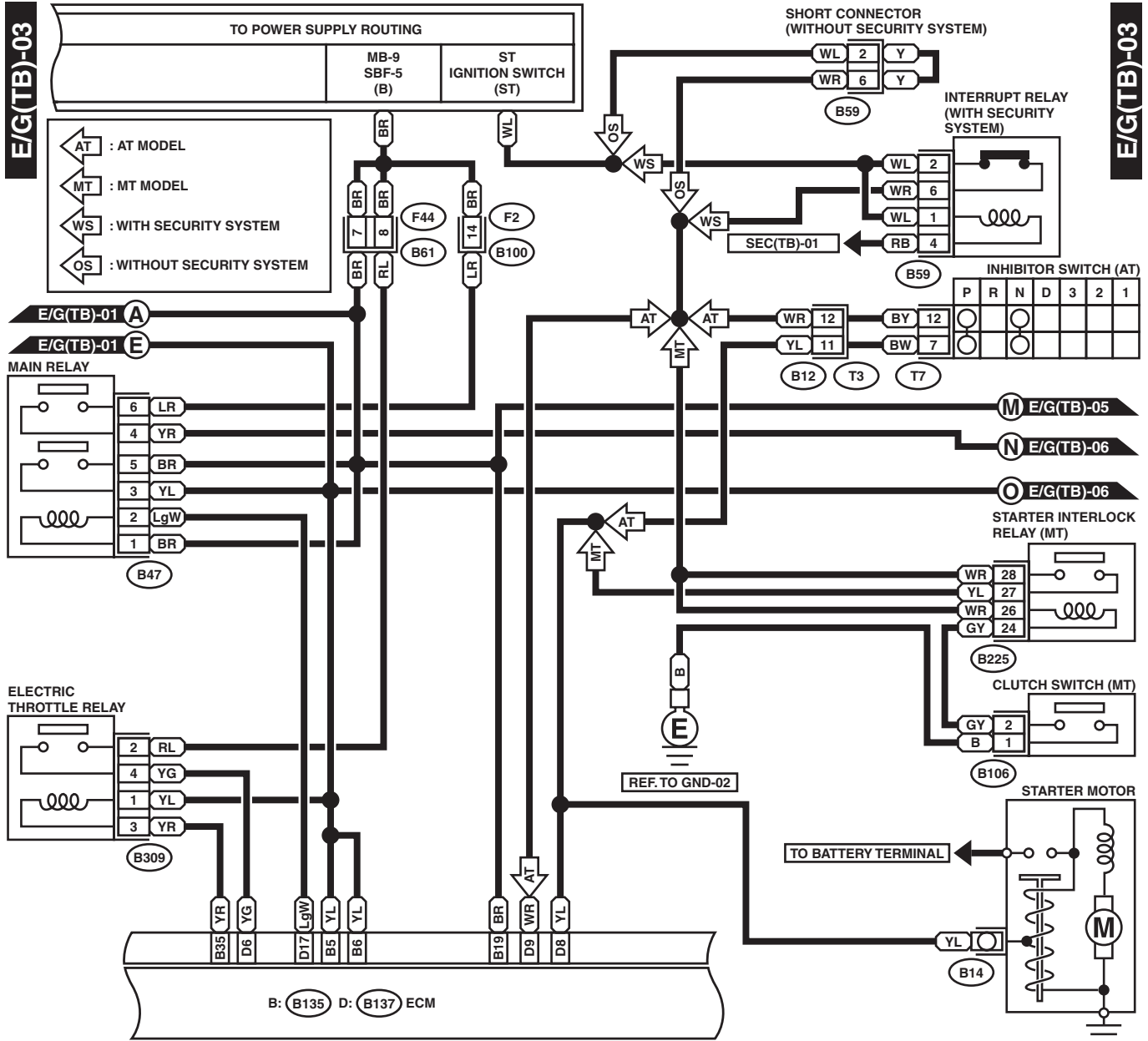
WIRING SYSTEM



WI-05184

Engine Electrical System

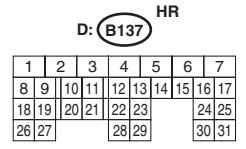
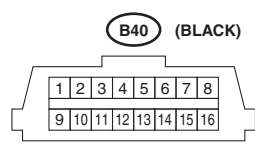
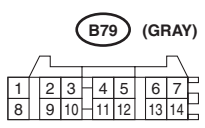
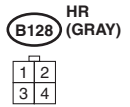
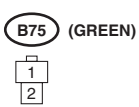
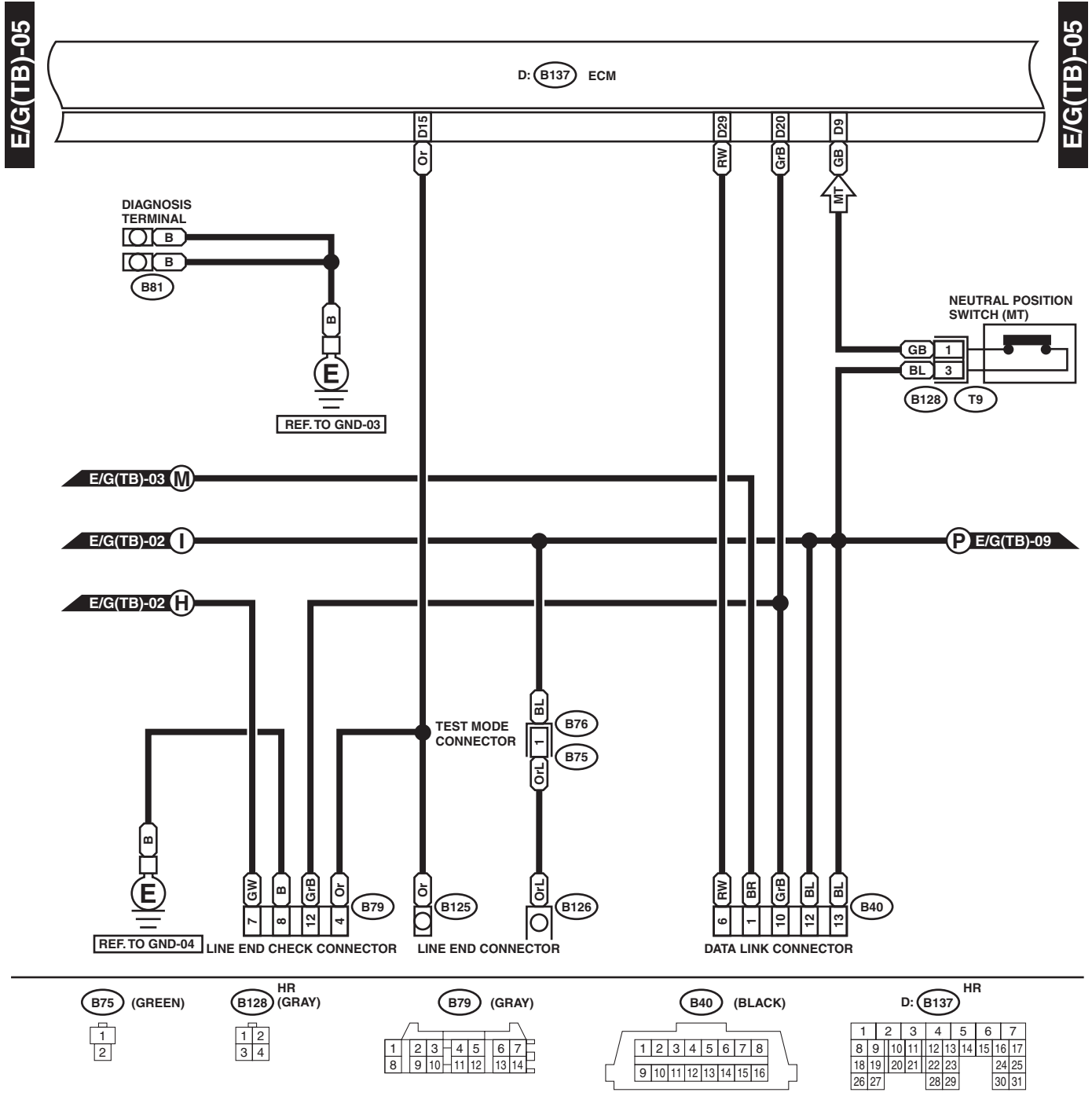
WIRING SYSTEM



RELAY BLOCK WI-05185

Engine Electrical System

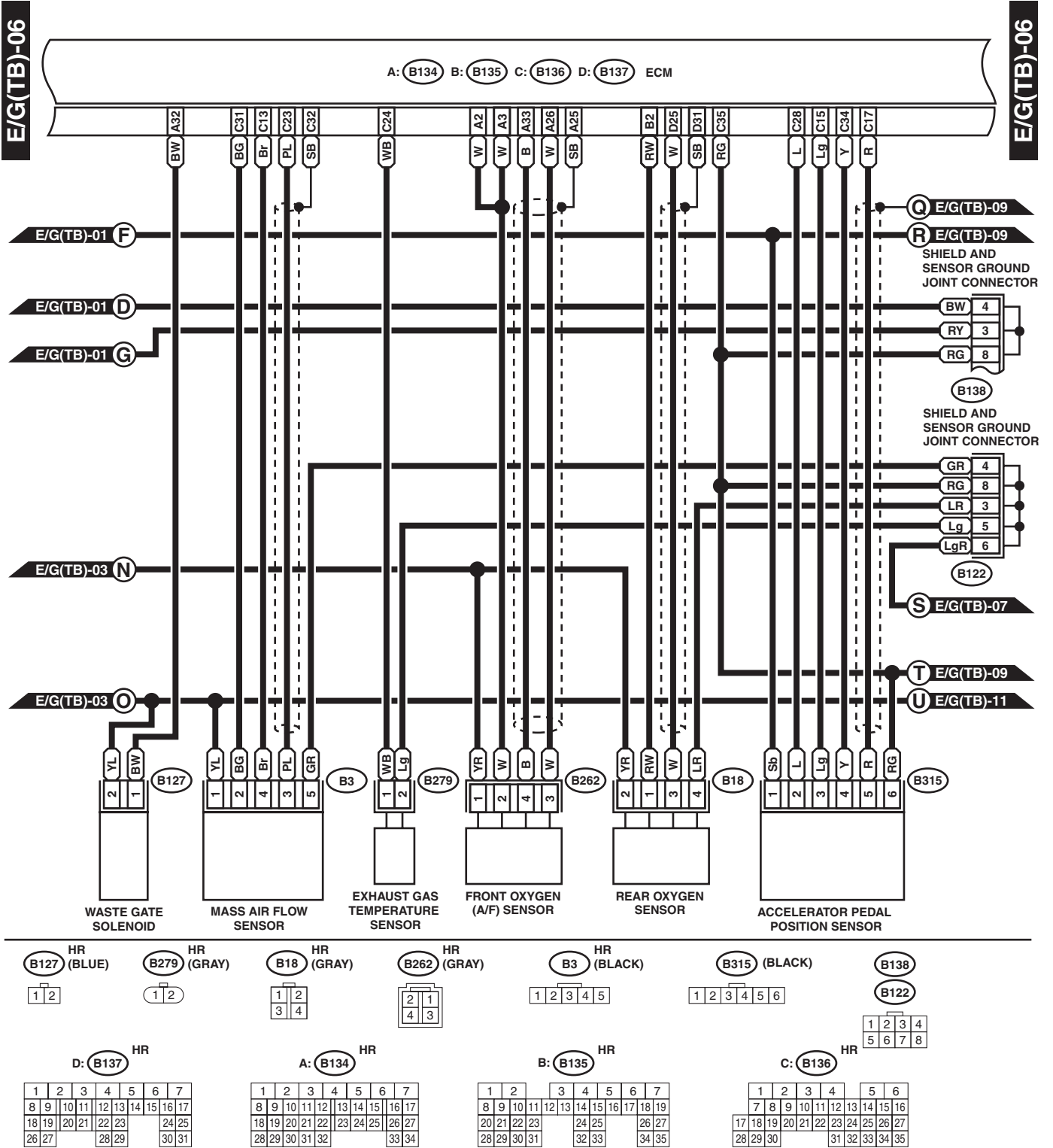
WIRING SYSTEM



WI-28688

Engine Electrical System

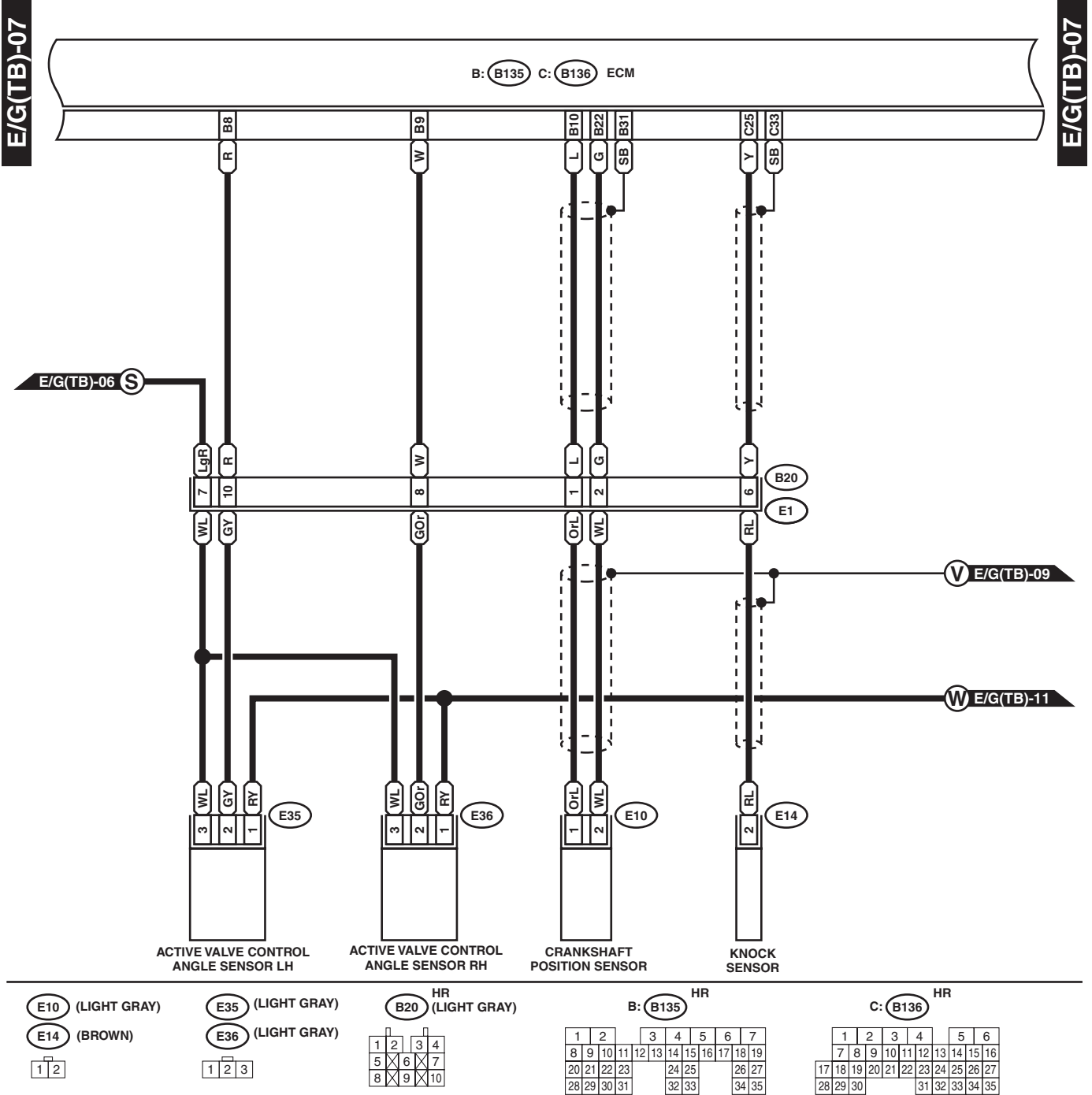
WIRING SYSTEM



WI-05188

Engine Electrical System

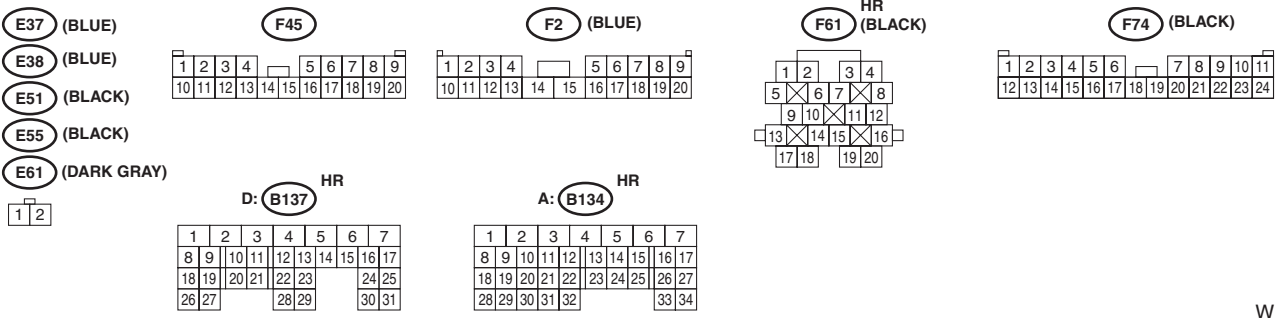
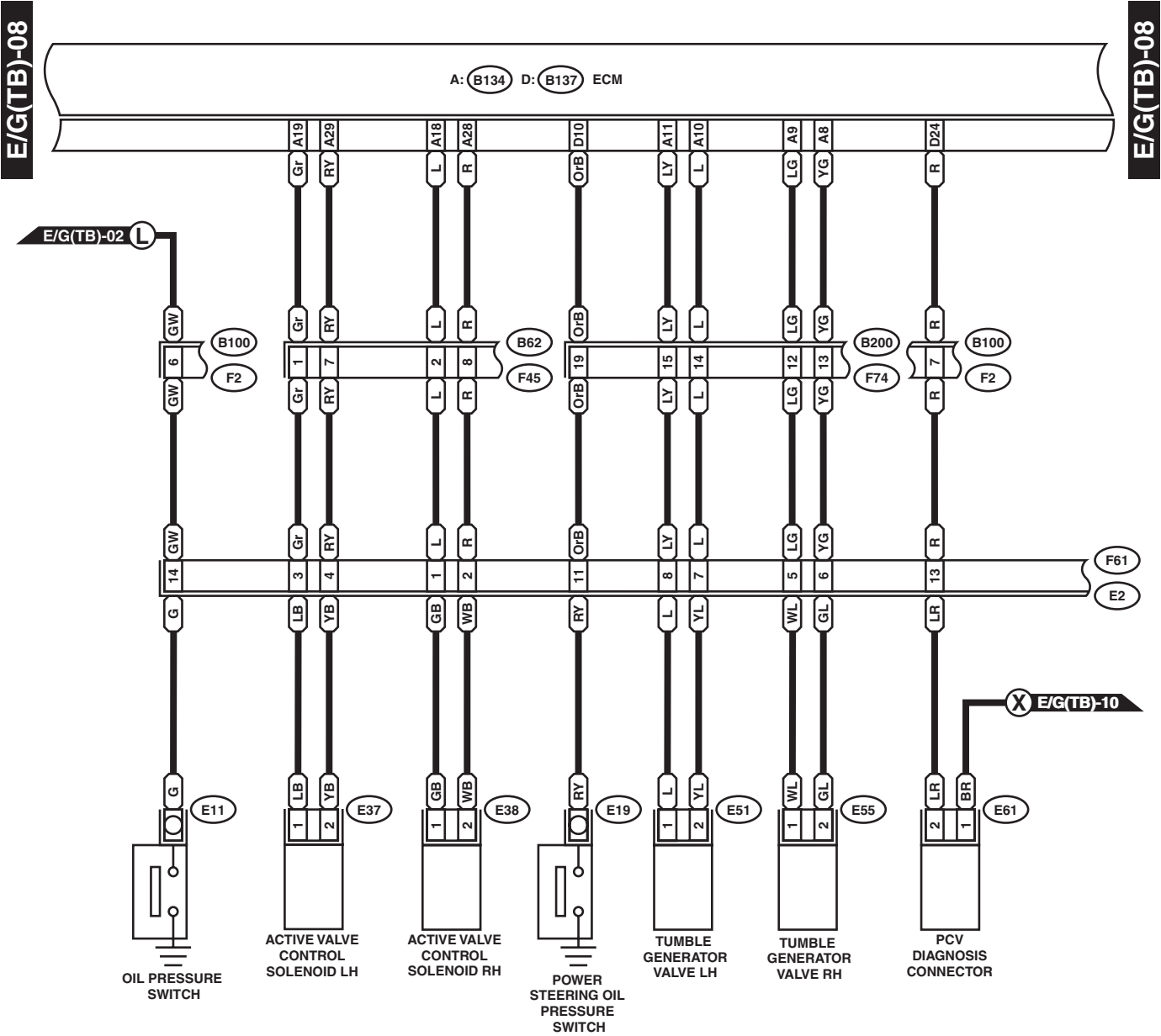
WIRING SYSTEM



WI-05189

Engine Electrical System

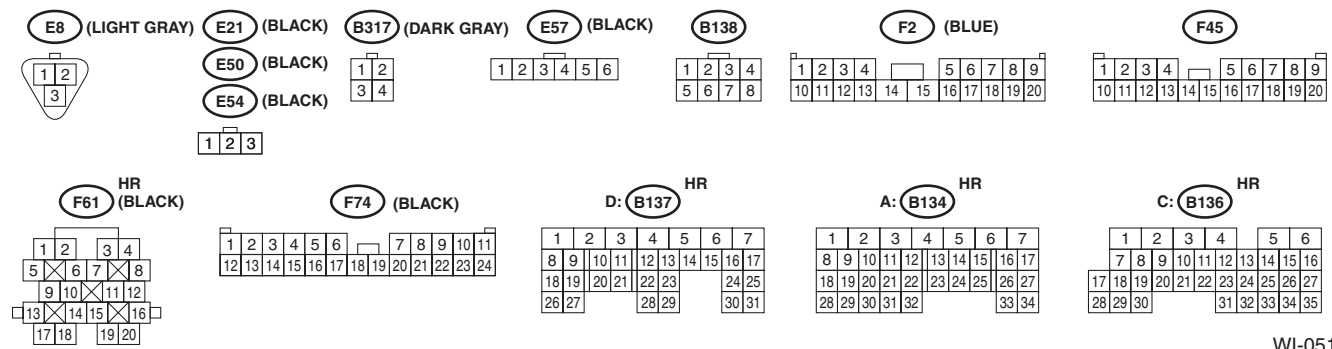
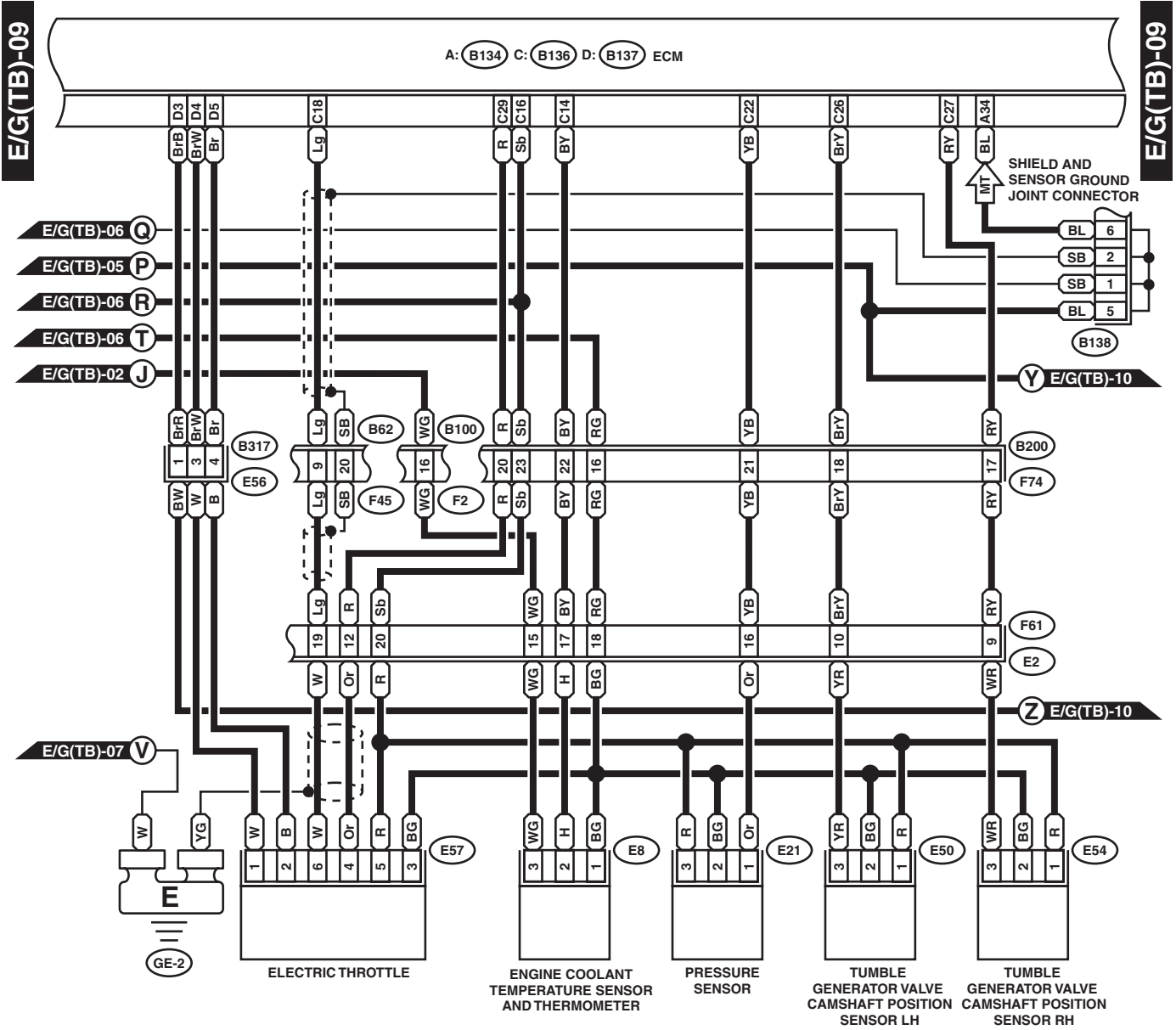
WIRING SYSTEM



WI-05190

Engine Electrical System

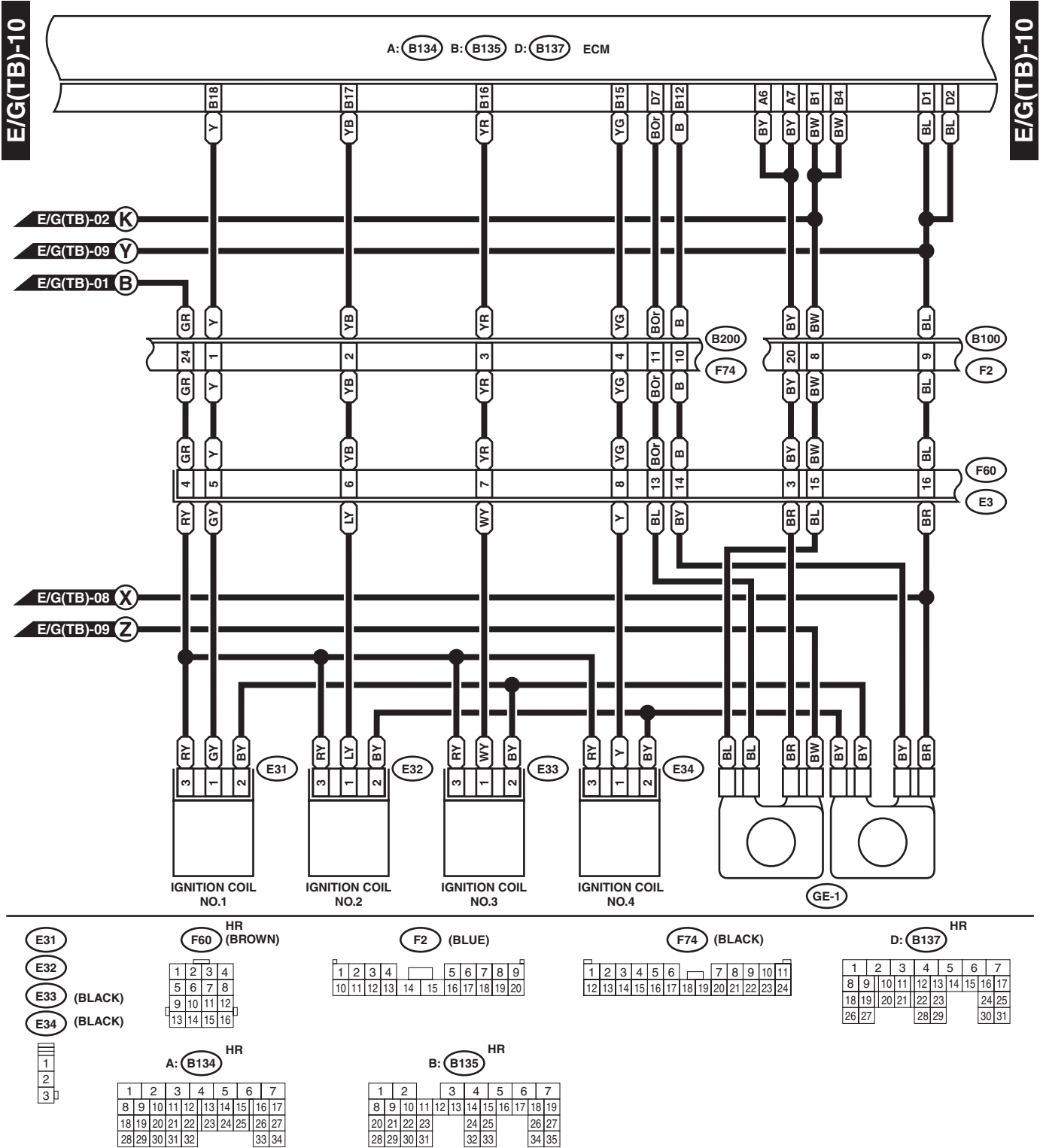
WIRING SYSTEM



WI-05191

Engine Electrical System

WIRING SYSTEM



- E31
- E32
- E33 (BLACK)
- E34 (BLACK)

HR (BROWN) F60

1	2	3	4
5	6	7	8
9	10	11	12
13	14	15	16

(BLUE) F2

1	2	3	4		5	6	7	8	9	
10	11	12	13	14	15	16	17	18	19	20

(BLACK) F74

1	2	3	4	5	6		7	8	9	10	11	
12	13	14	15	16	17	18	19	20	21	22	23	24

HR D: (B137)

1	2	3	4	5	6	7			
8	9	10	11	12	13	14	15	16	17
18	19	20	21	22	23		24	25	
26	27		28	29		30	31		

- 1
- 2
- 3

HR A: (B134)

1	2	3	4	5	6	7			
8	9	10	11	12	13	14	15	16	17
18	19	20	21	22	23	24	25	26	27
28	29	30	31	32		33	34		

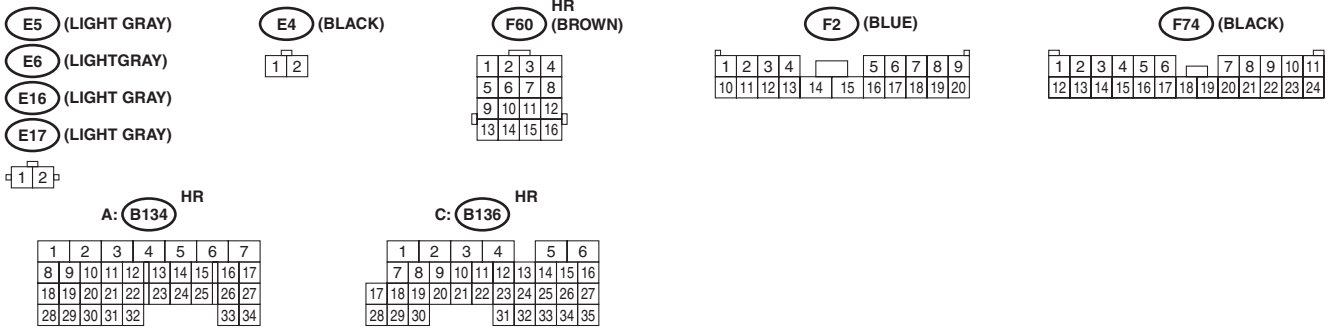
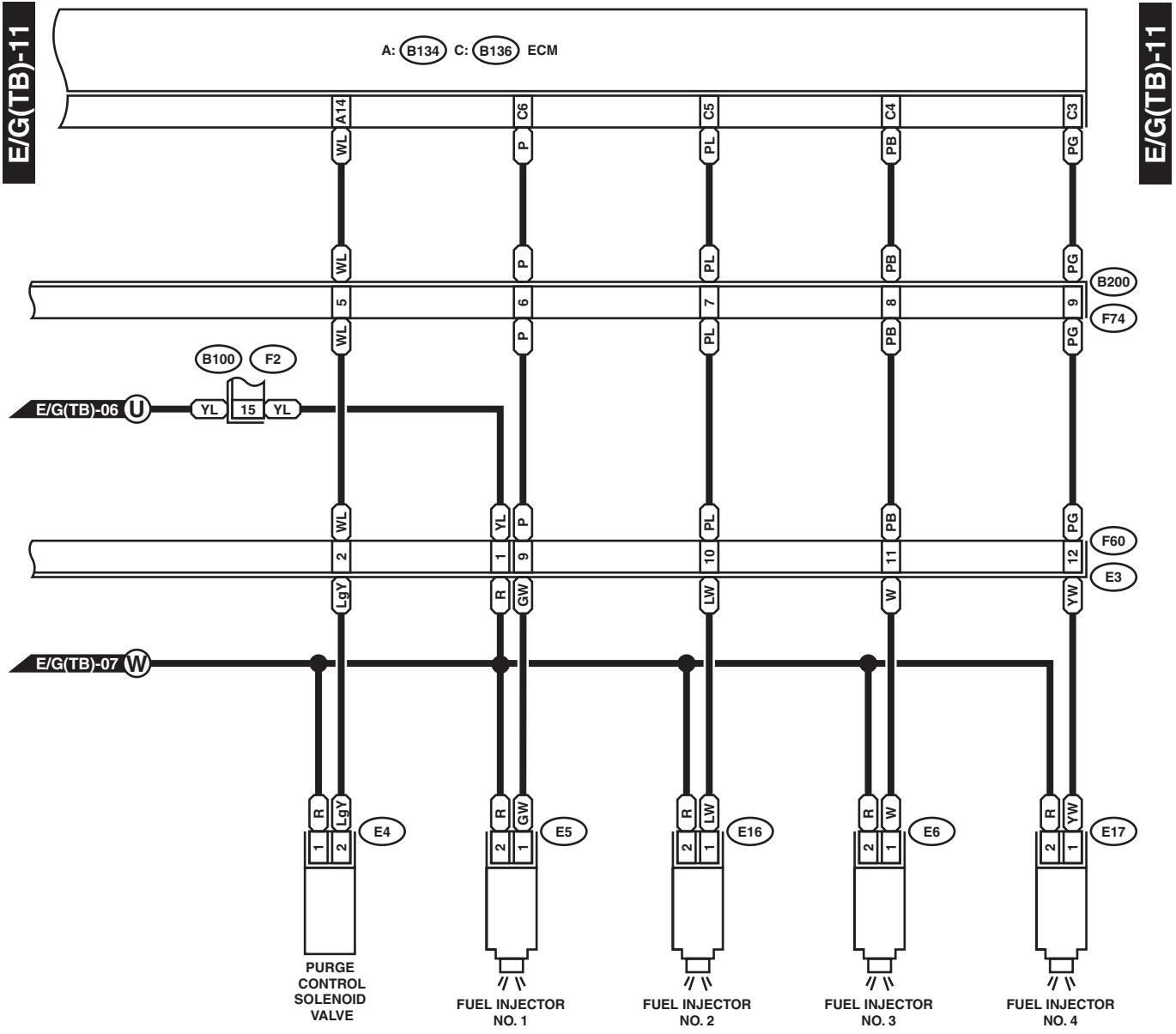
HR B: (B135)

1	2		3	4	5	6	7				
8	9	10	11	12	13	14	15	16	17	18	19
20	21	22	23		24	25		26	27		
28	29	30	31		32	33		34	35		

WI-05192

Engine Electrical System

WIRING SYSTEM



WI-05193