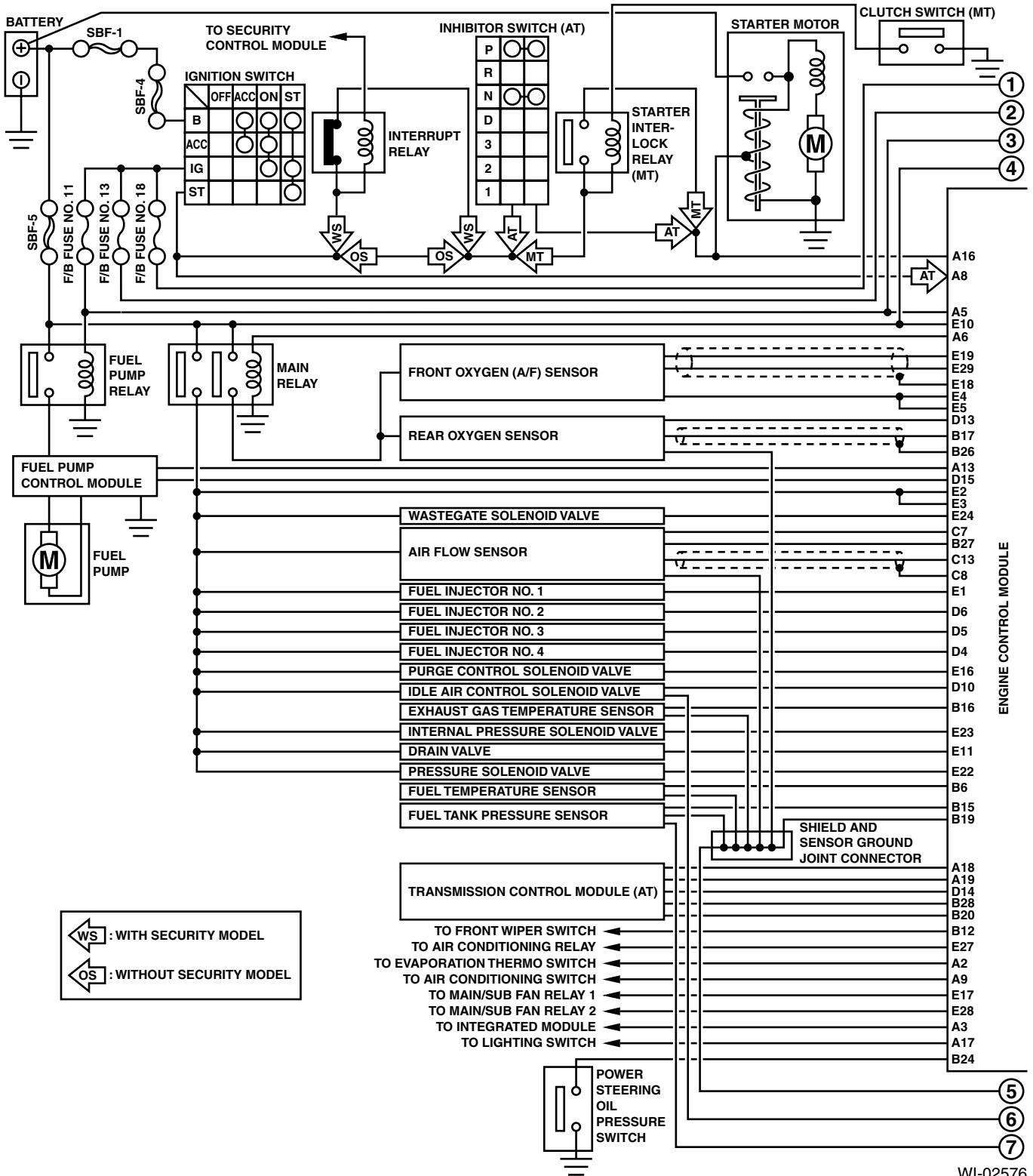
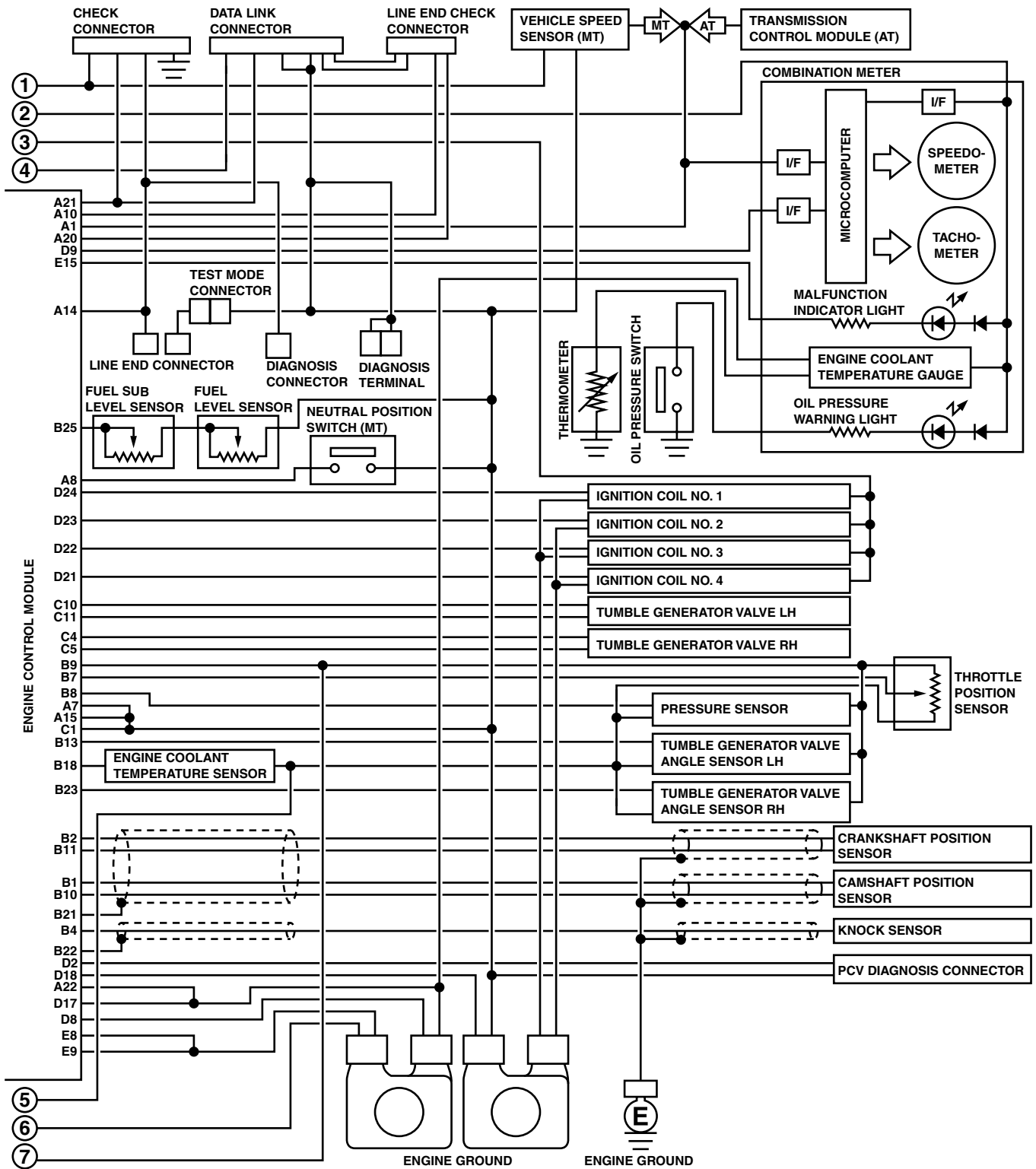


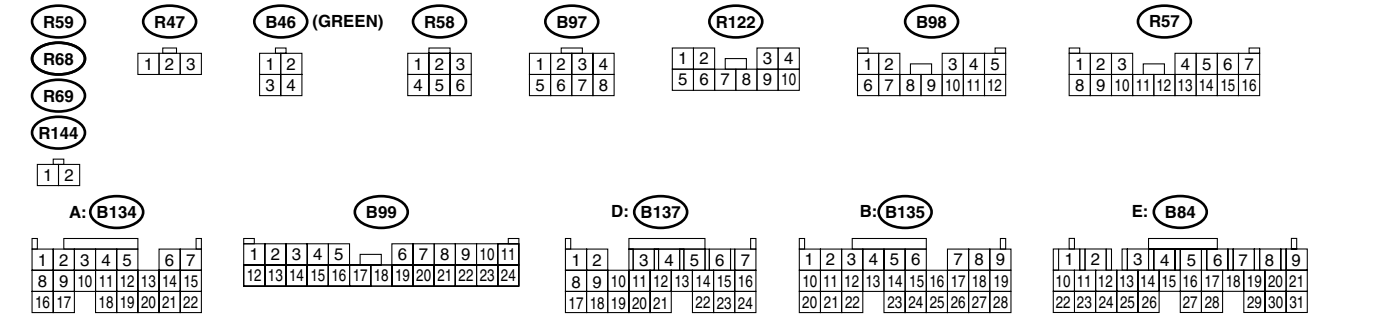
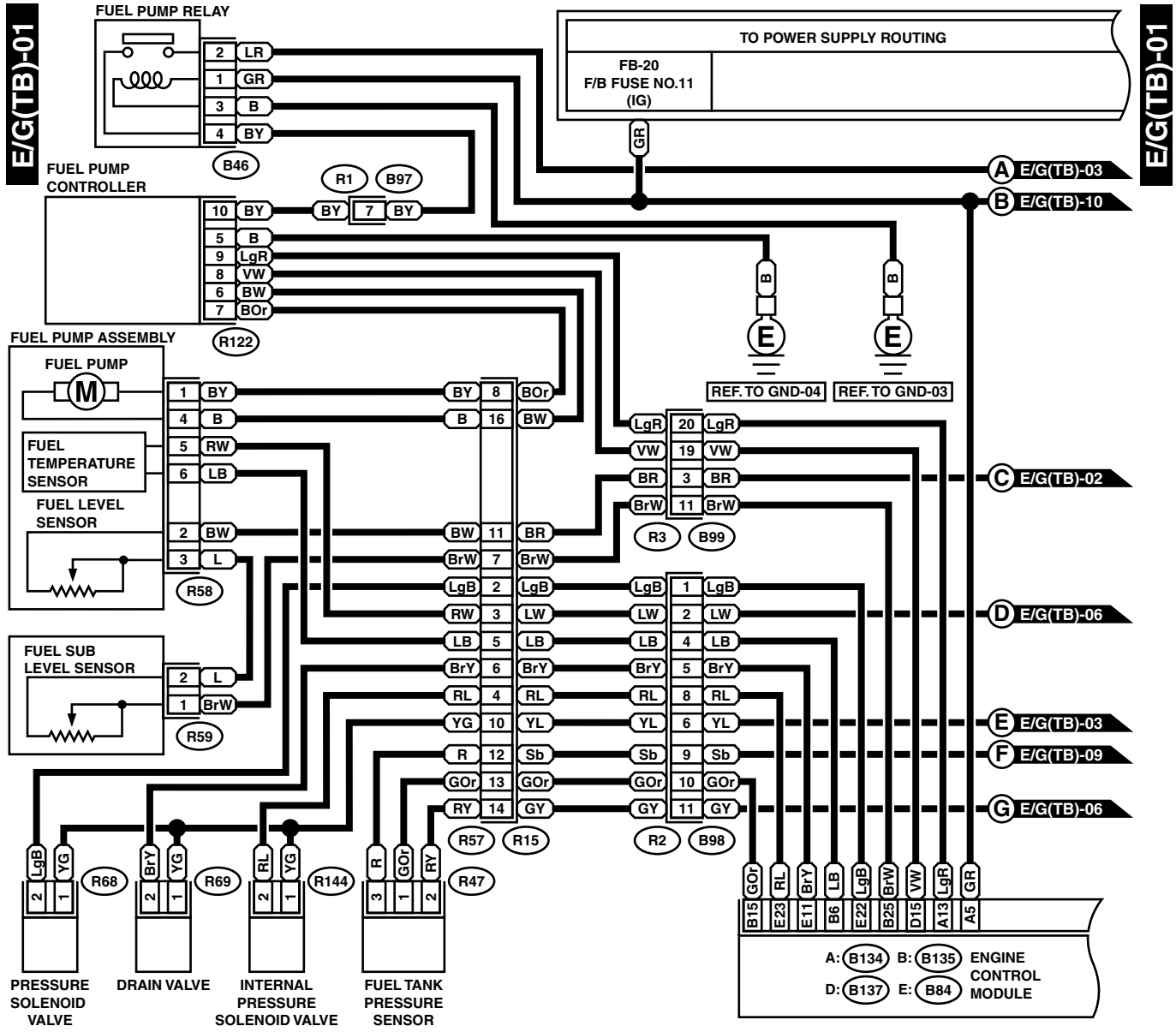
17.Engine Electrical System

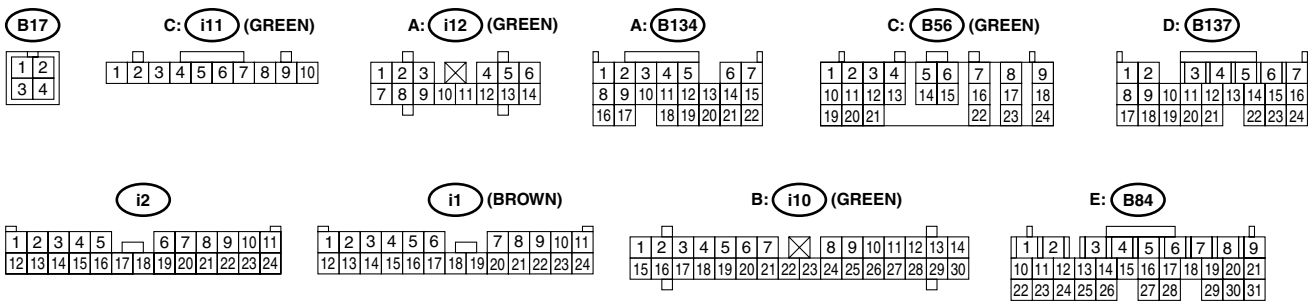
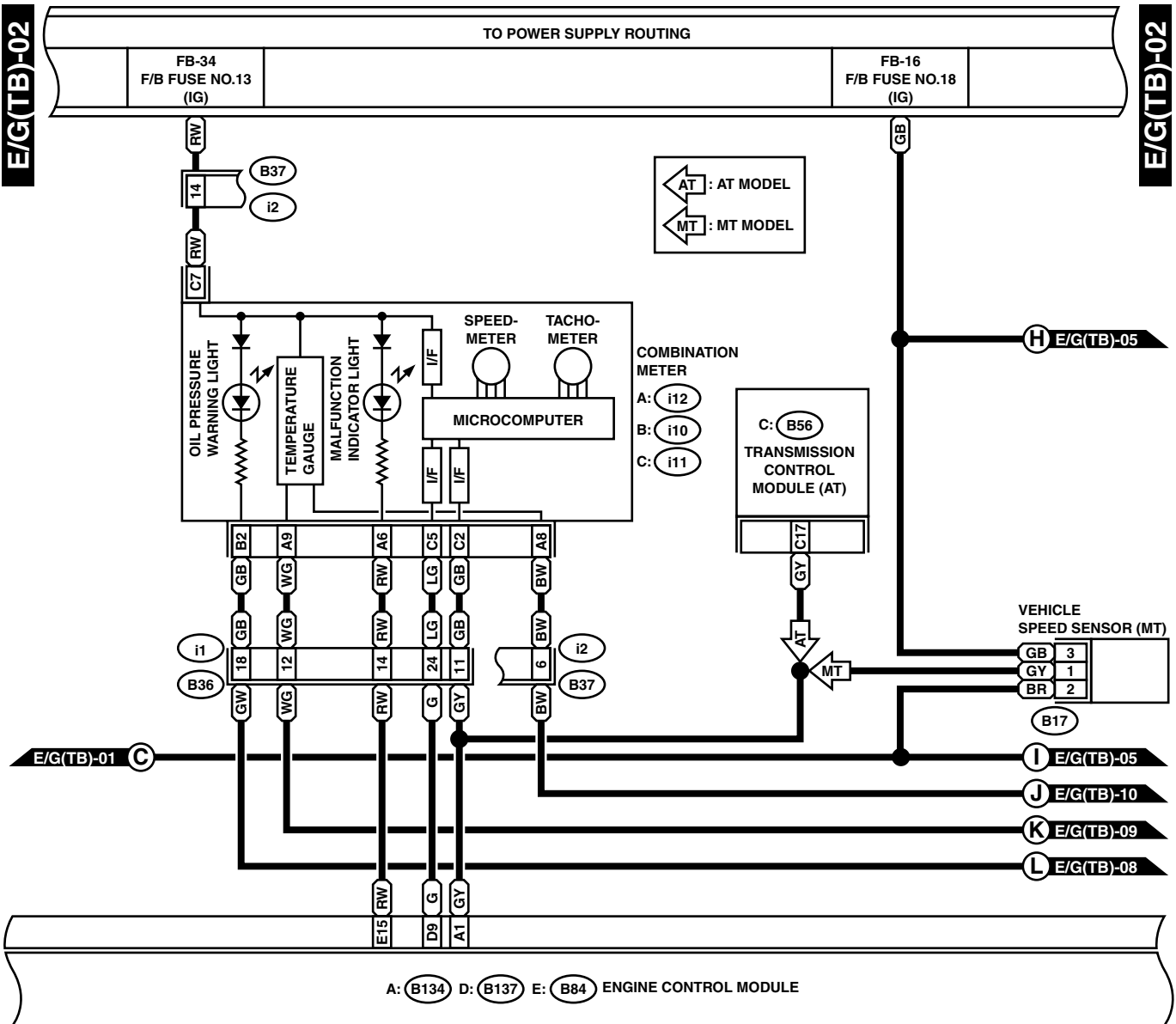
A: SCHEMATIC

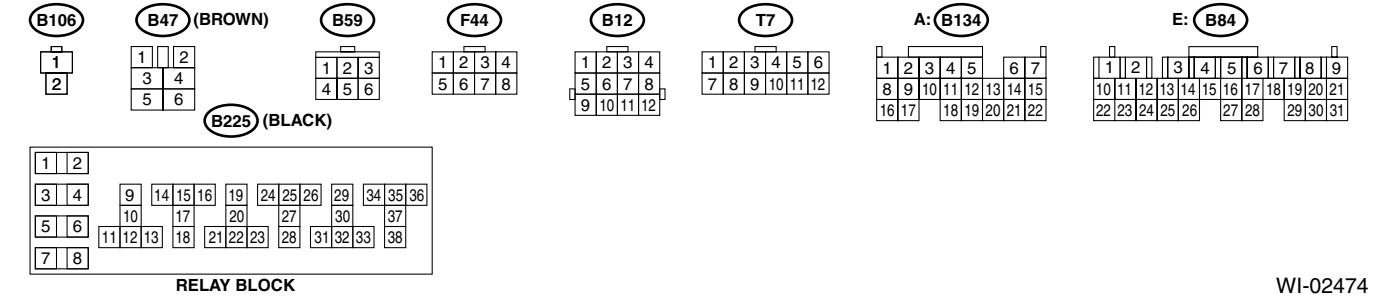
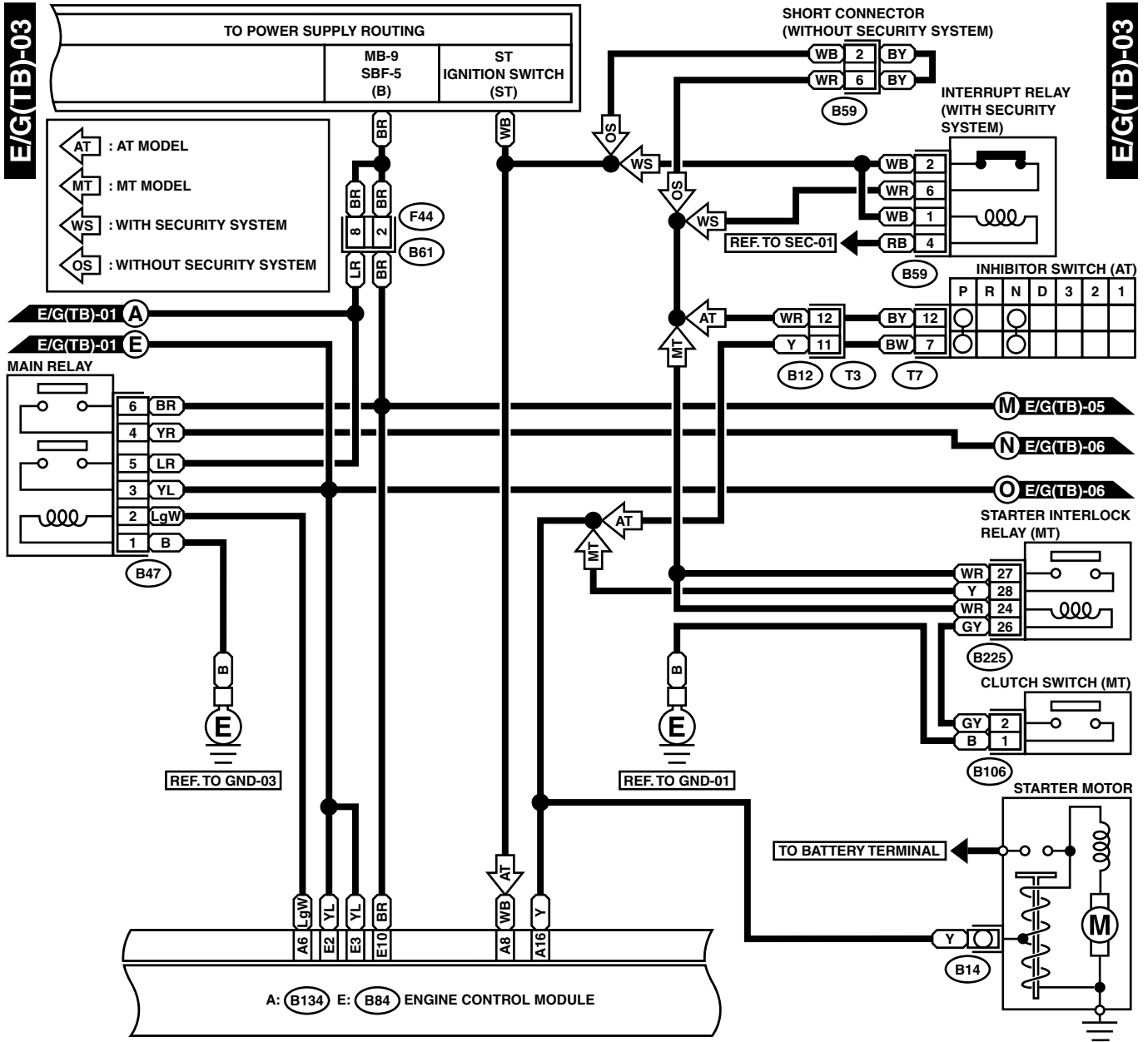
1. TURBO MODEL





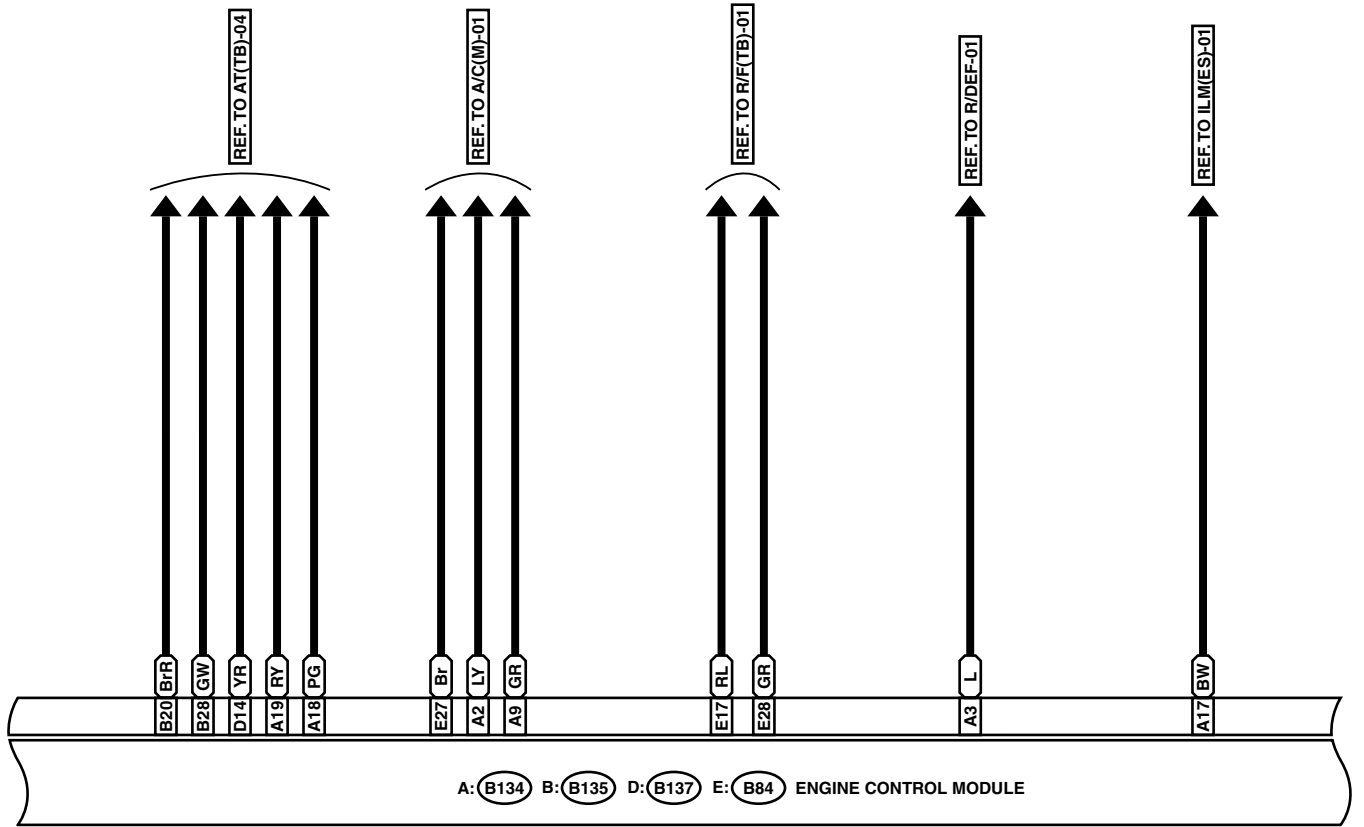






E/G(TB)-04

E/G(TB)-04



A: (B134)

1	2	3	4	5	6	7	
8	9	10	11	12	13	14	15
16	17	18	19	20	21	22	

D: (B137)

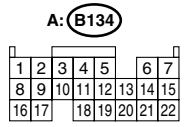
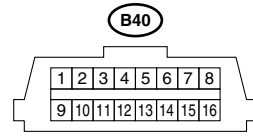
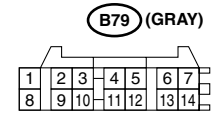
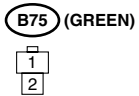
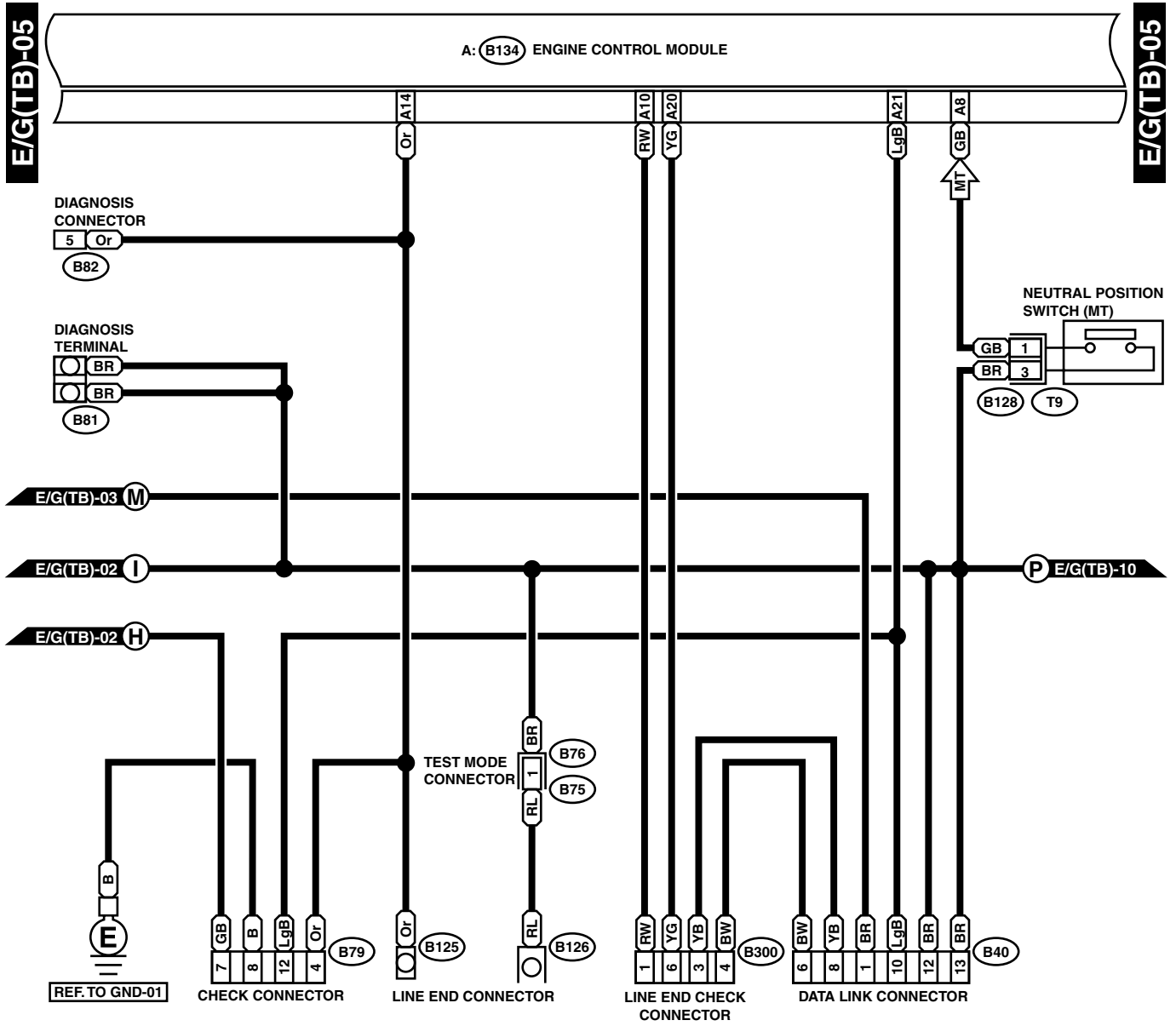
1	2	3	4	5	6	7		
8	9	10	11	12	13	14	15	16
17	18	19	20	21	22	23	24	

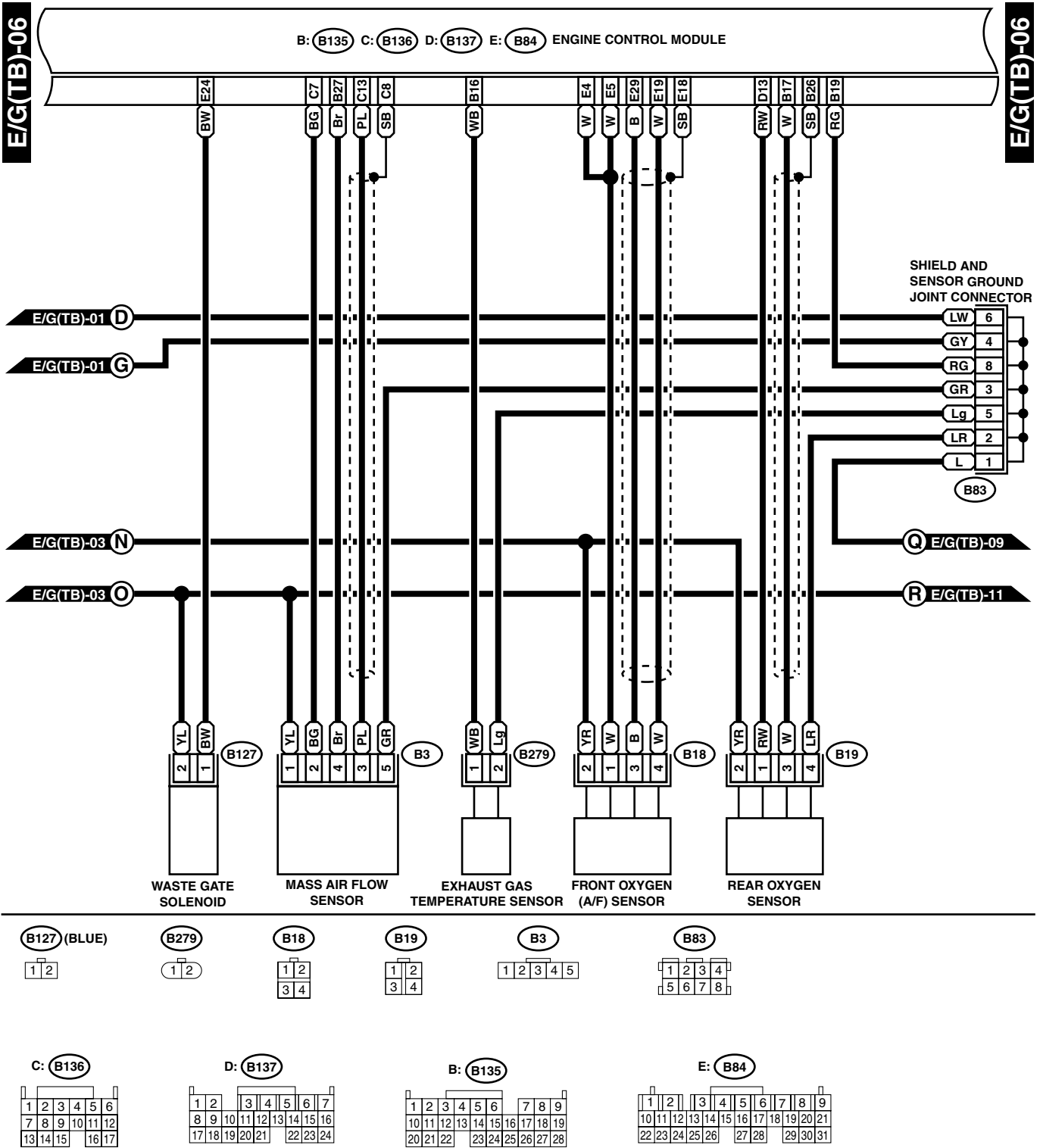
B: (B135)

1	2	3	4	5	6	7	8	9	
10	11	12	13	14	15	16	17	18	19
20	21	22	23	24	25	26	27	28	

E: (B84)

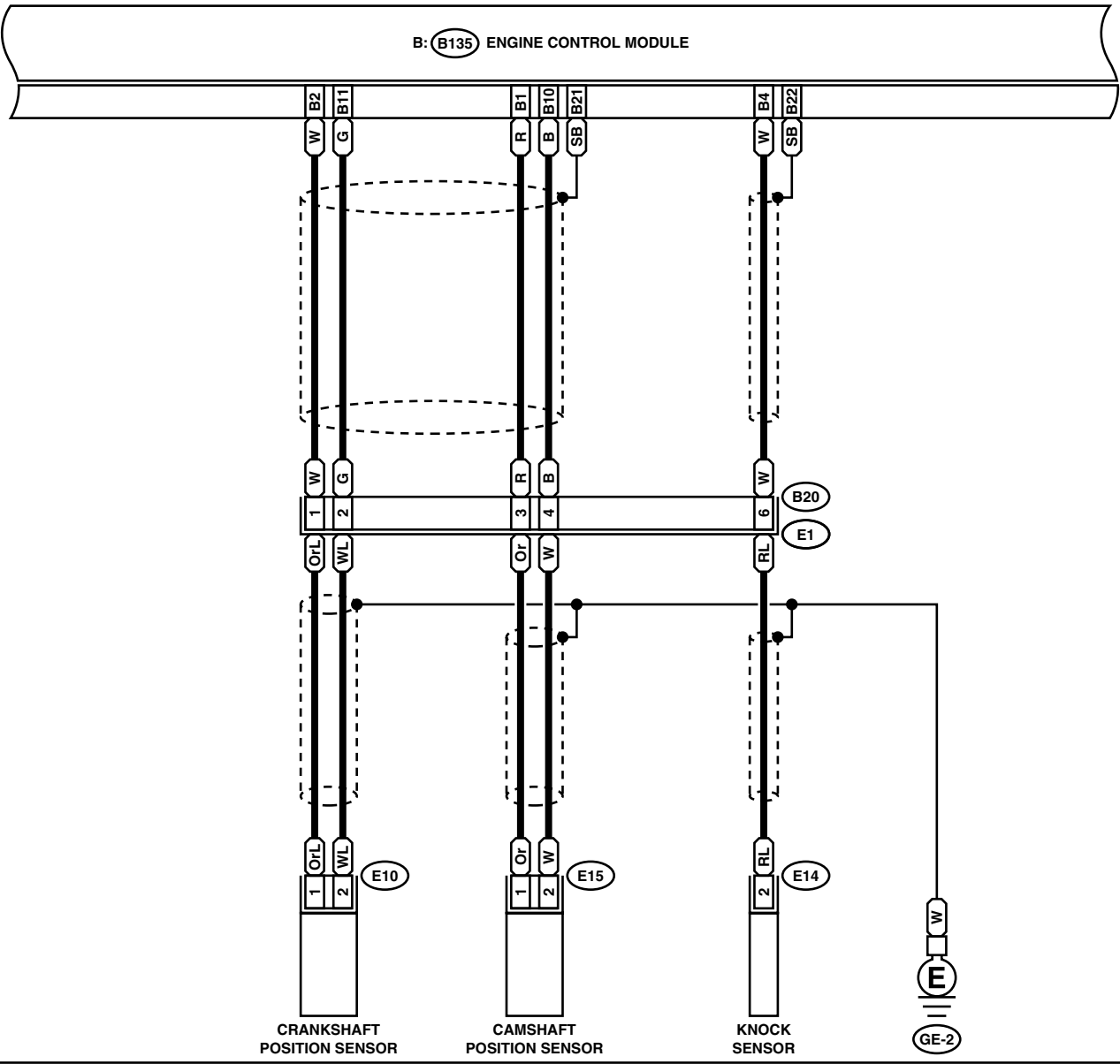
1	2	3	4	5	6	7	8	9			
10	11	12	13	14	15	16	17	18	19	20	21
22	23	24	25	26	27	28	29	30	31		





E/G(TB)-07

E/G(TB)-07



- (E10) (LIGHT GRAY)
- (E14) (LIGHT GRAY)
- (E15) (LIGHT GRAY)
- 1 2

(B20) (LIGHT GRAY)

1	2	3	4
5	6	7	
8	9	10	

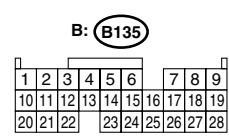
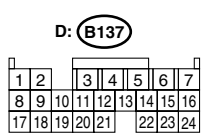
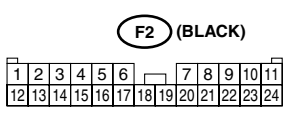
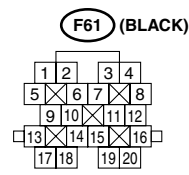
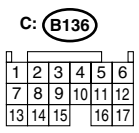
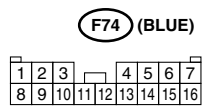
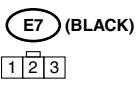
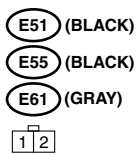
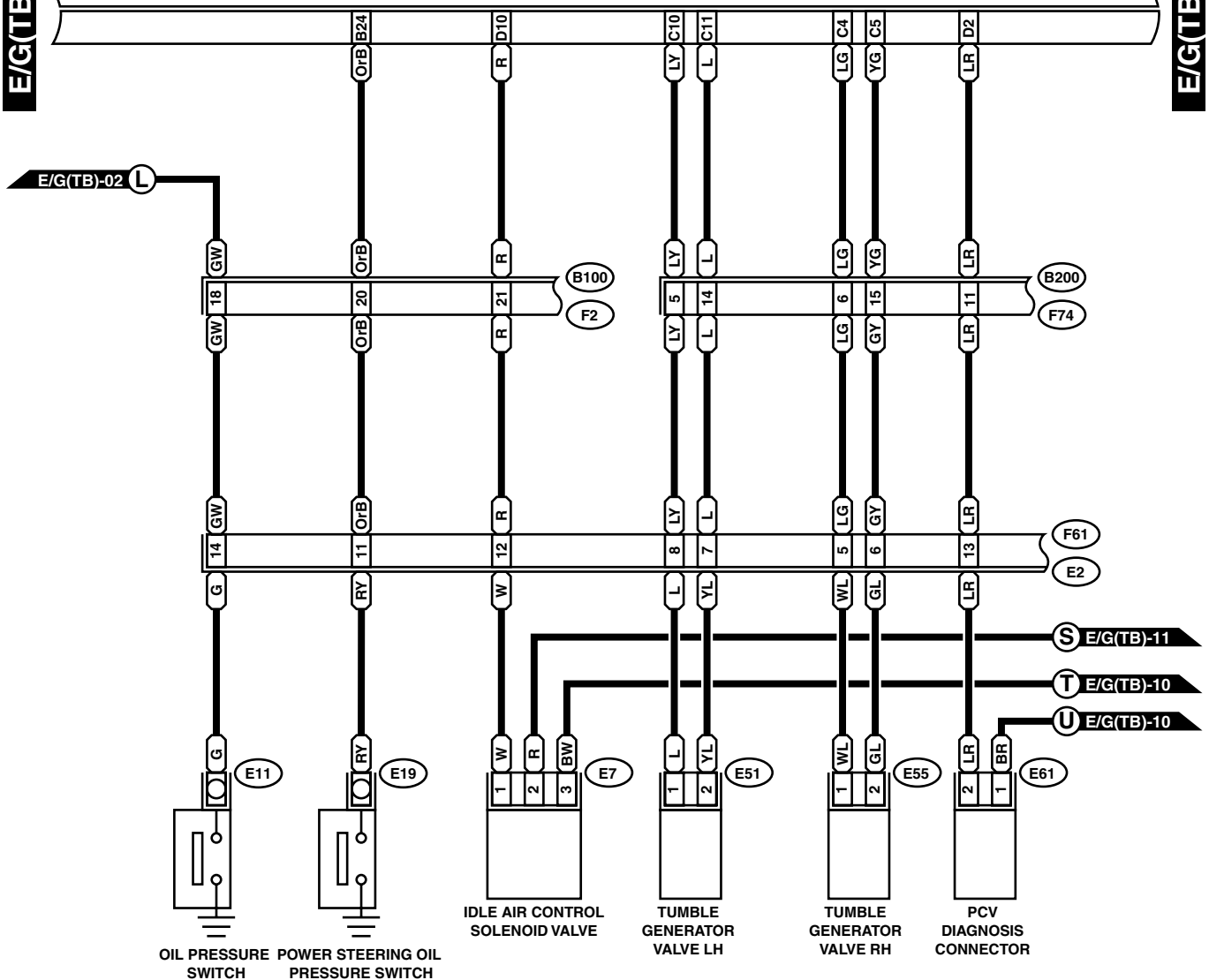
B: (B135)

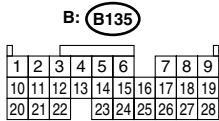
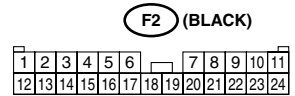
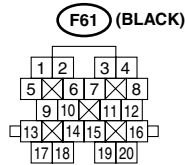
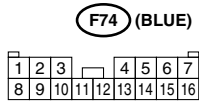
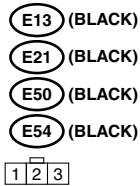
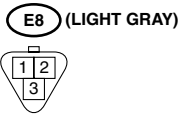
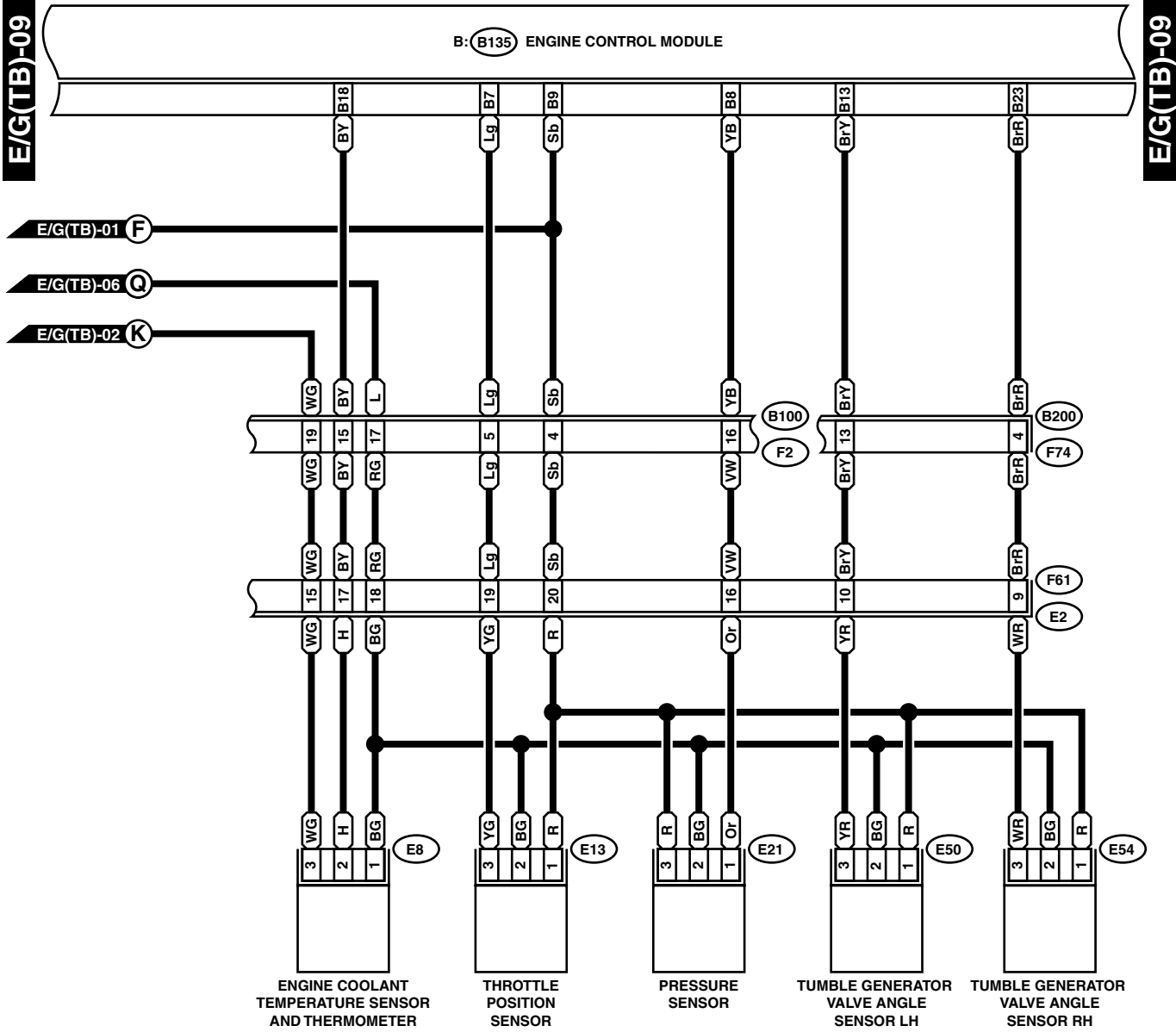
1	2	3	4	5	6	7	8	9	
10	11	12	13	14	15	16	17	18	19
20	21	22	23	24	25	26	27	28	

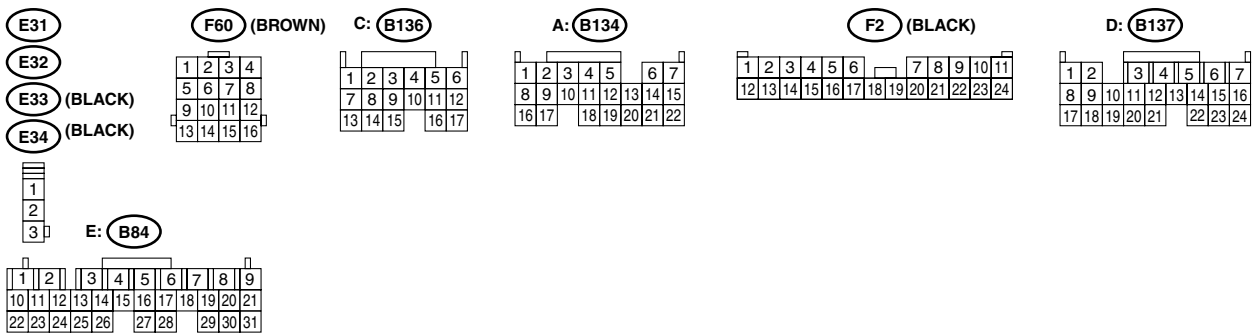
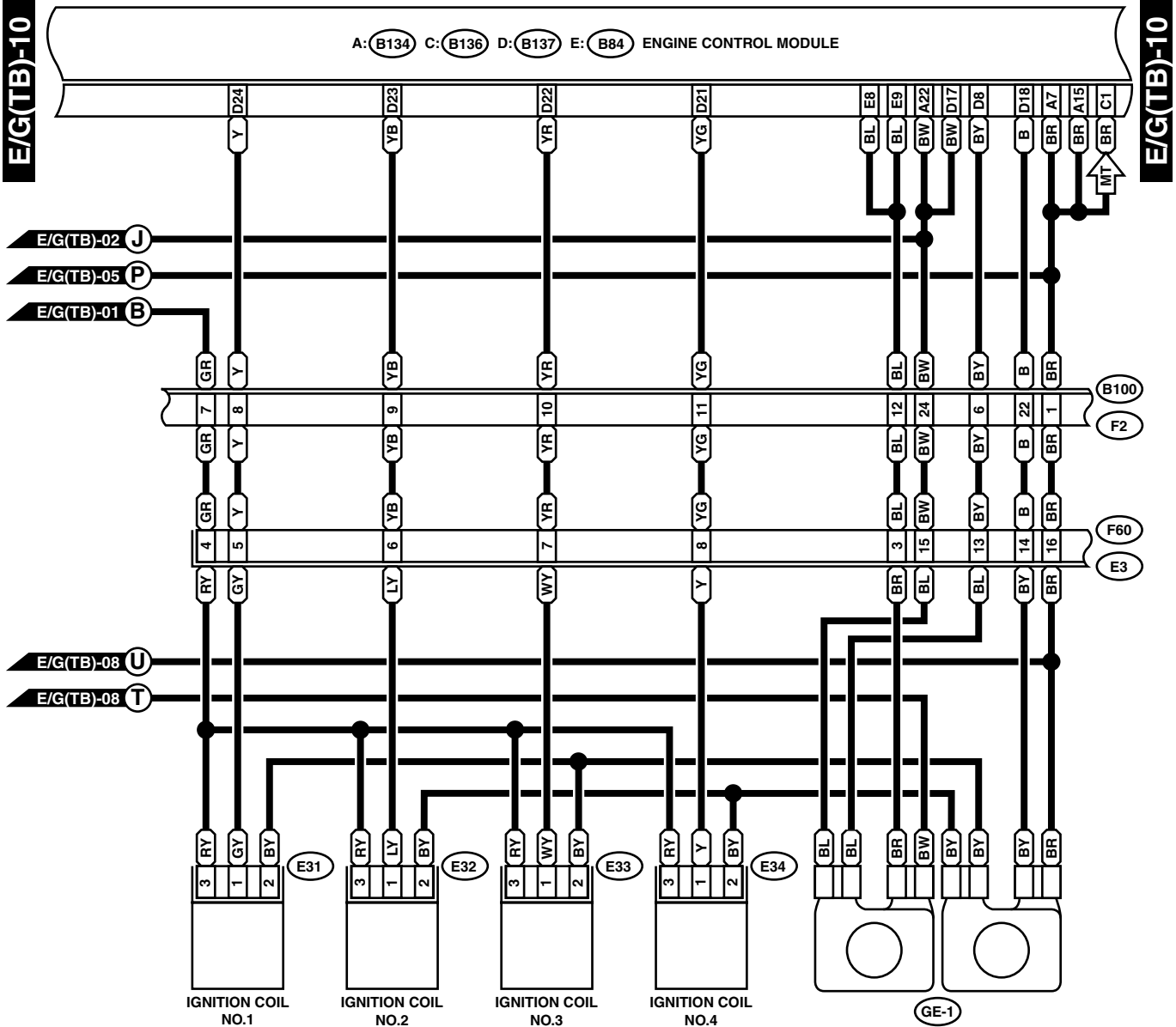
E/G(TB)-08

E/G(TB)-08

B: (B135) C: (B136) D: (B137) ENGINE CONTROL MODULE

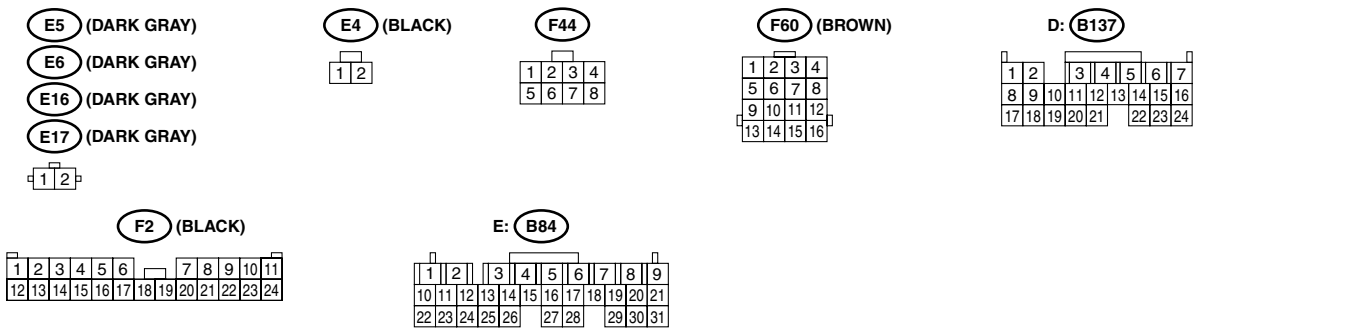
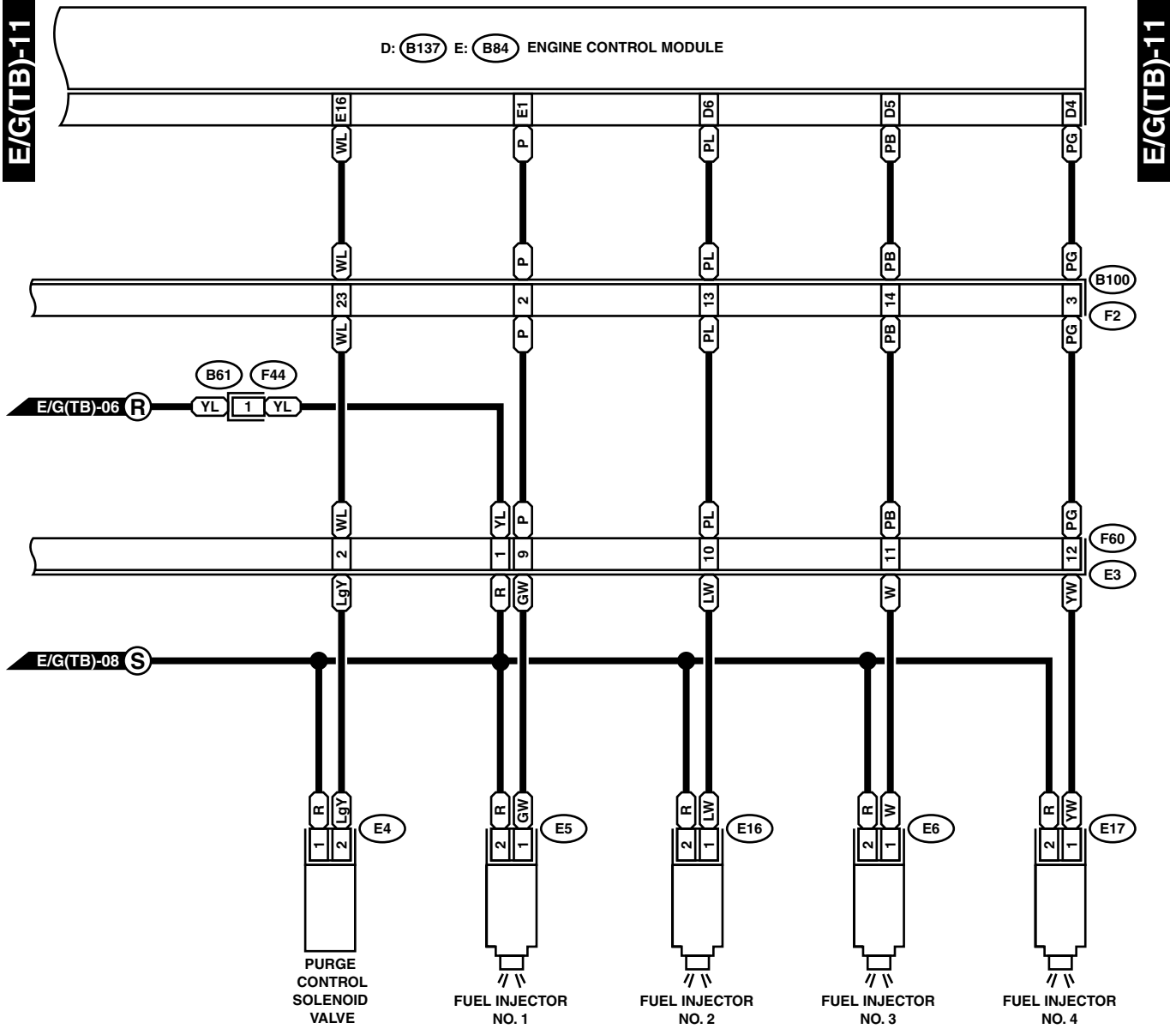




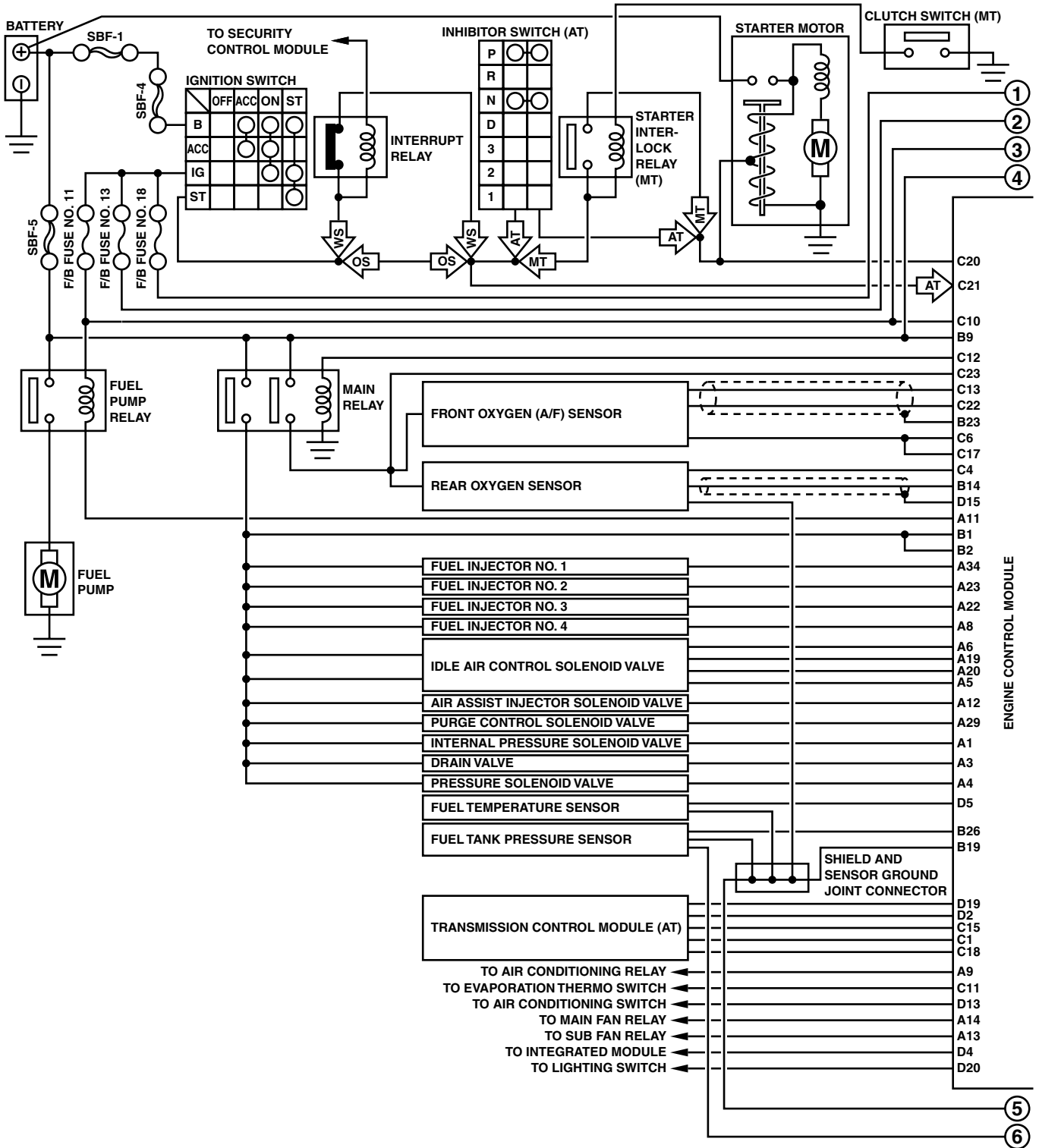


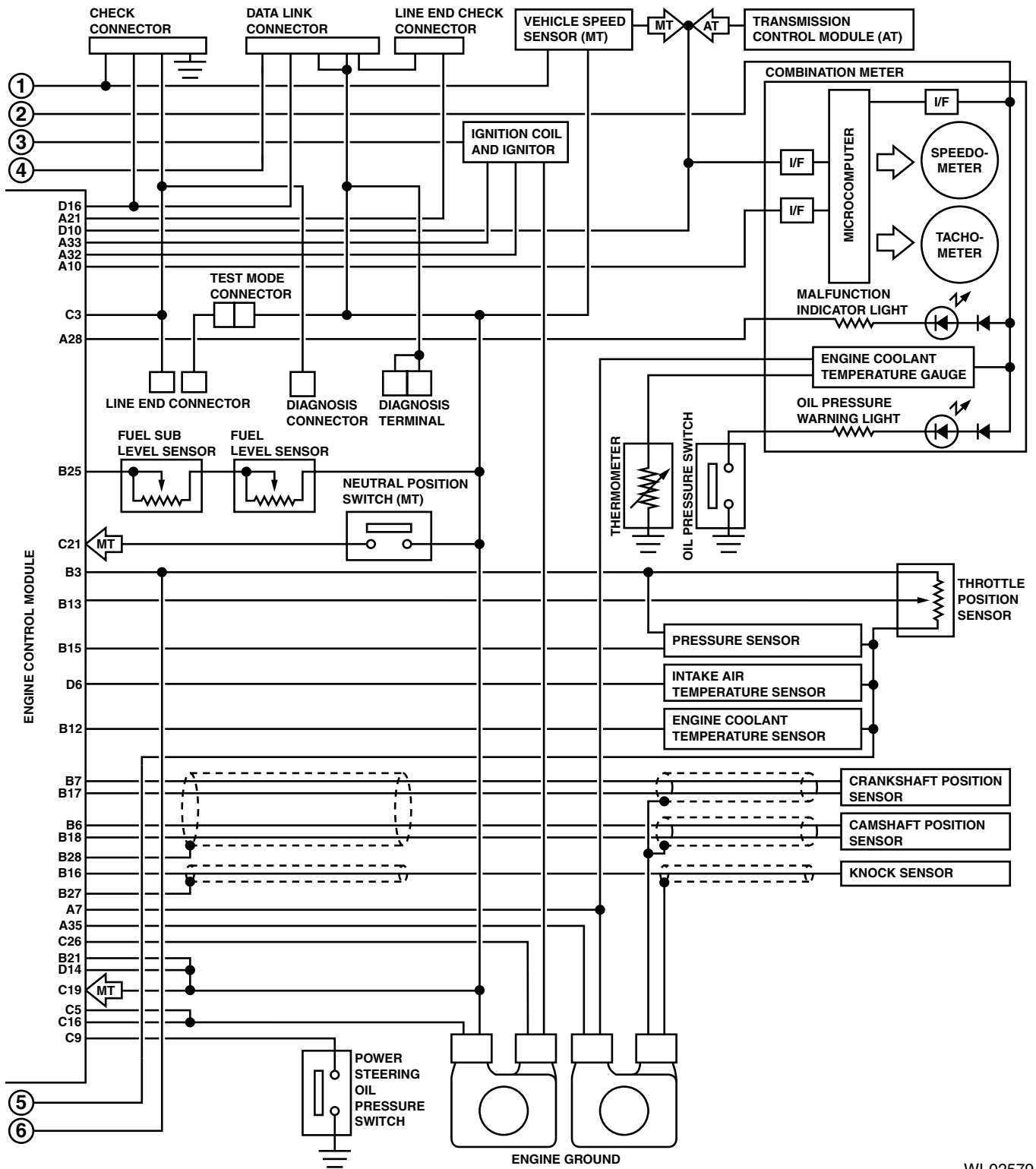
E/G(TB)-11

E/G(TB)-11



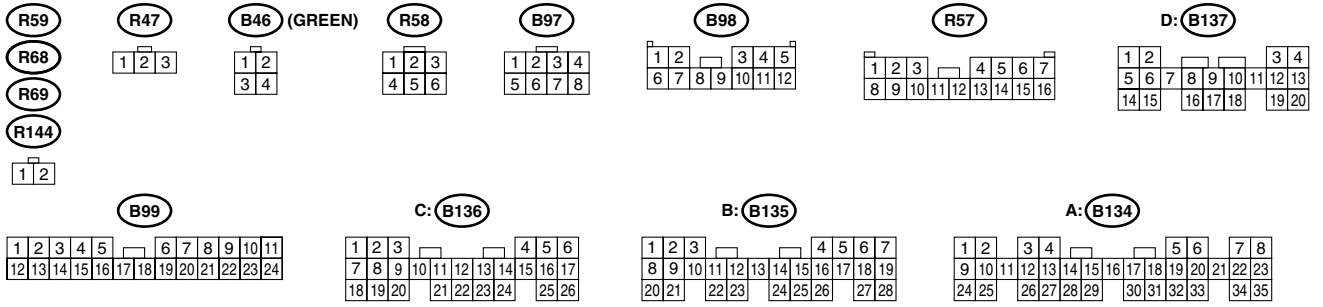
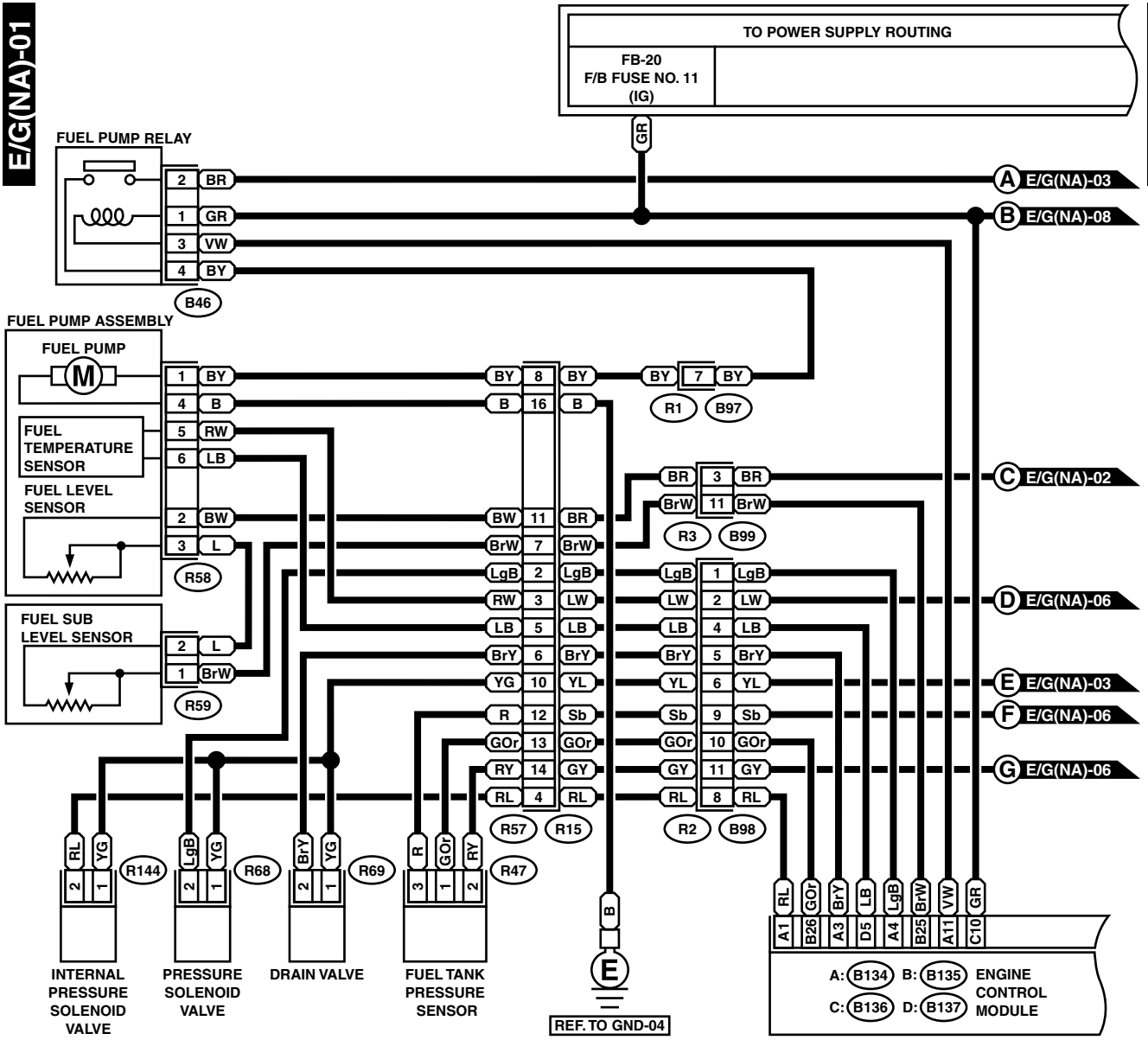
2. SOHC MODEL

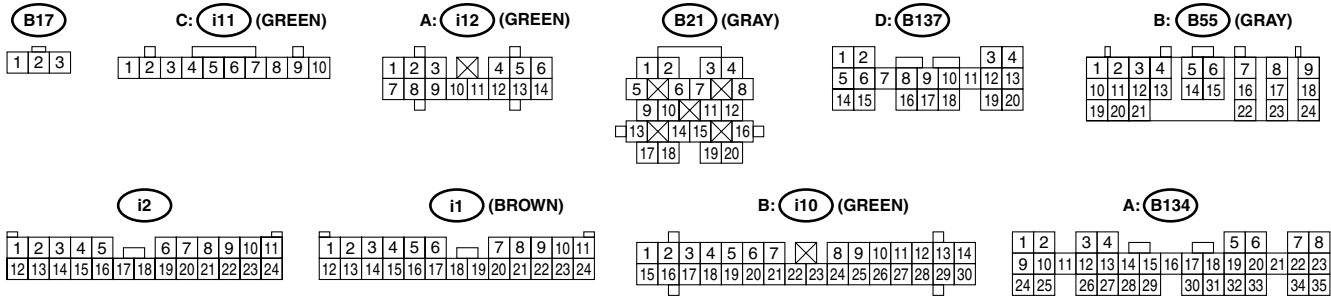
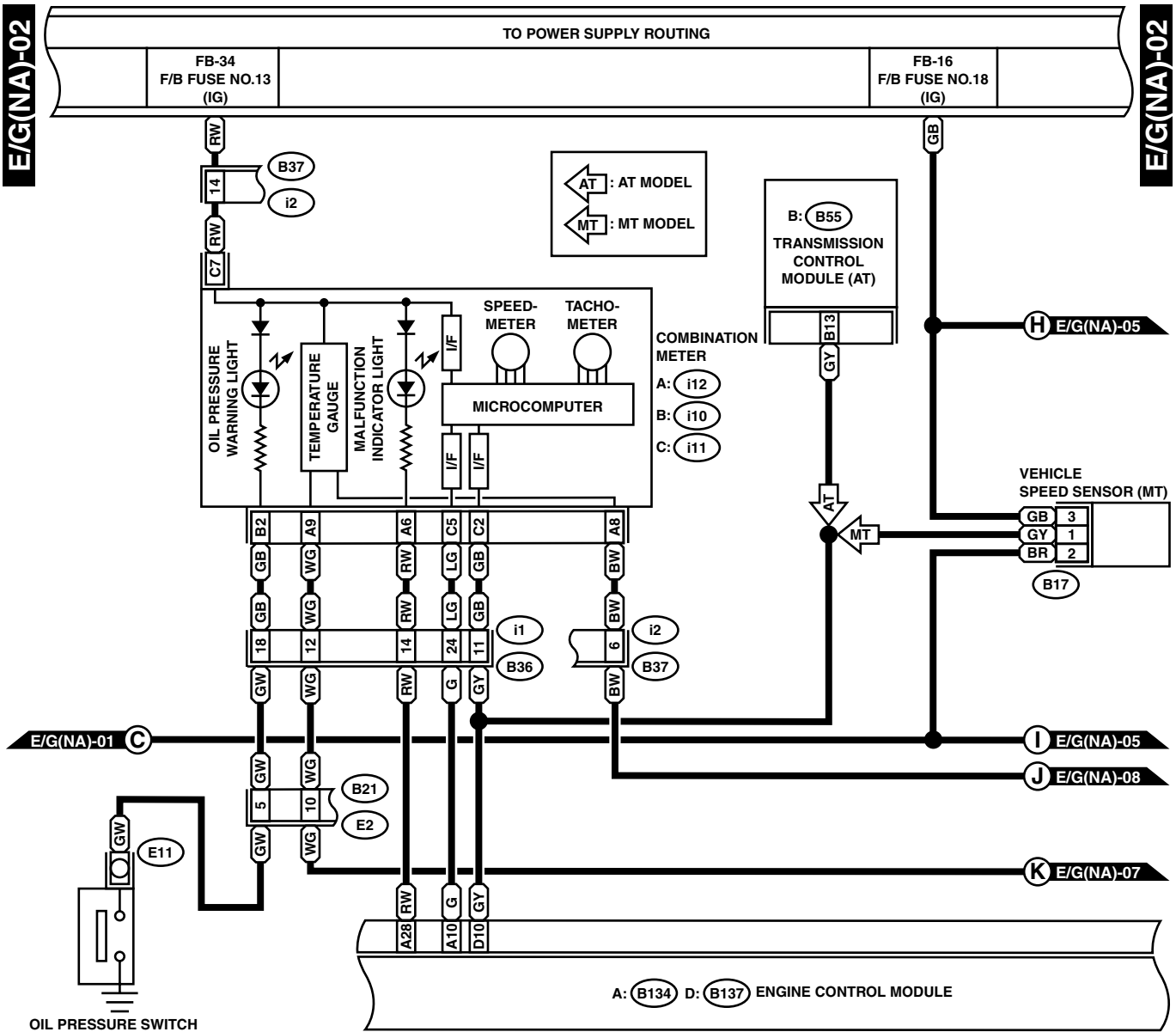


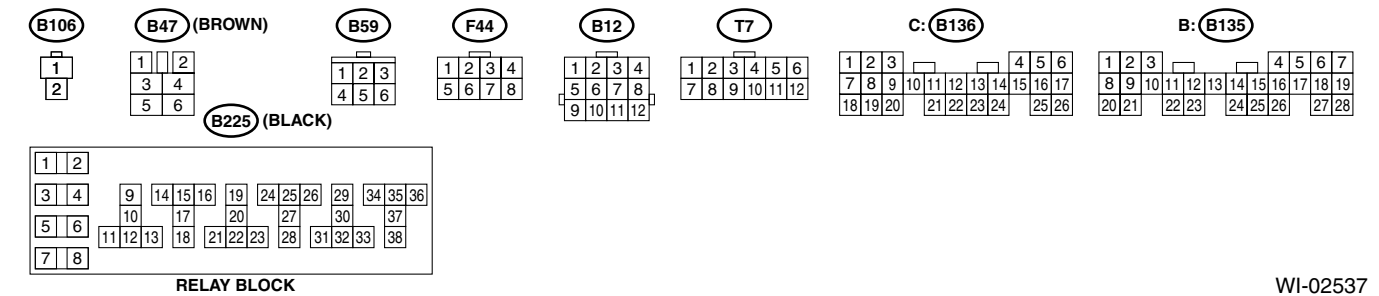
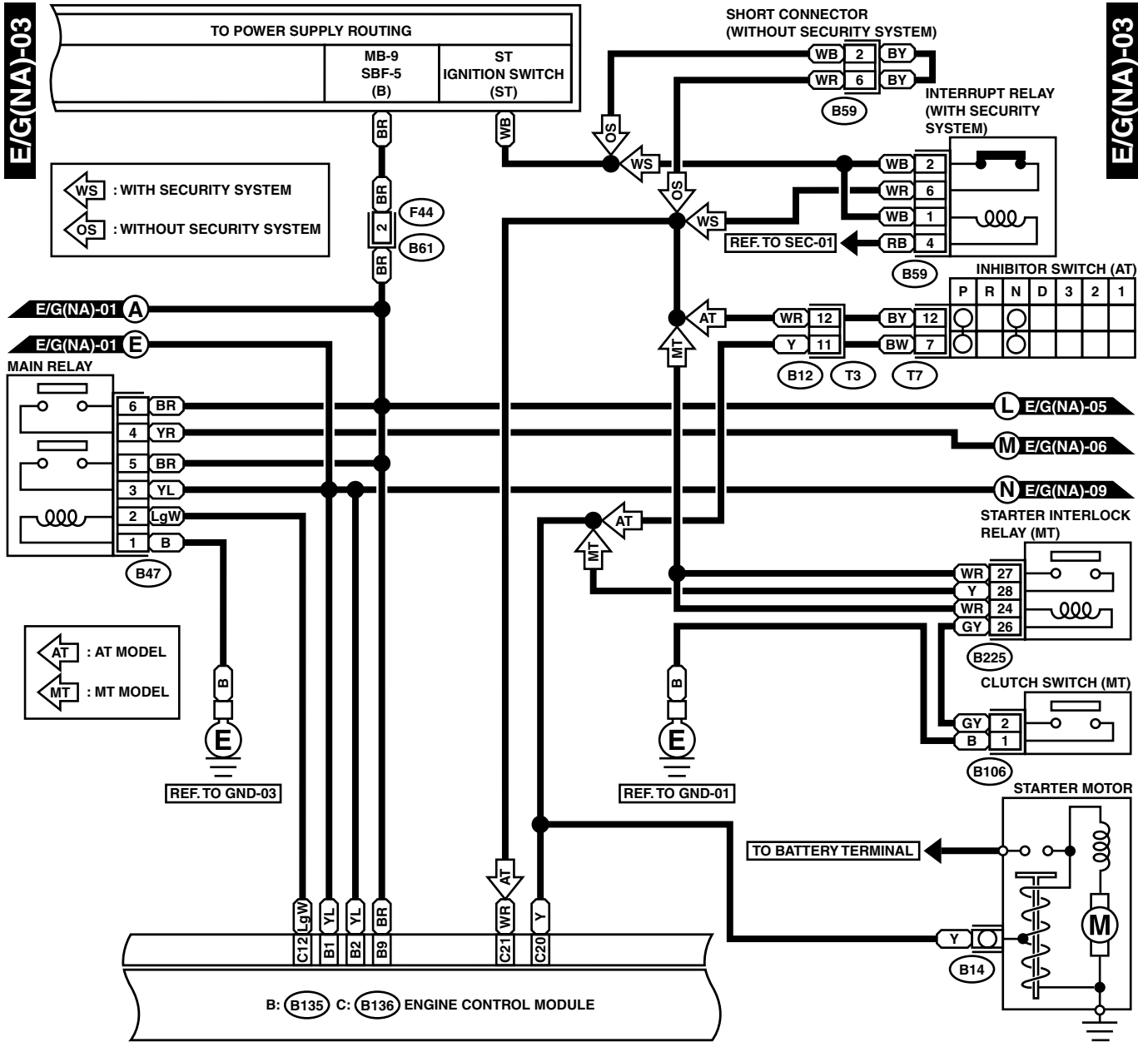


E/G(NA)-01

E/G(NA)-01

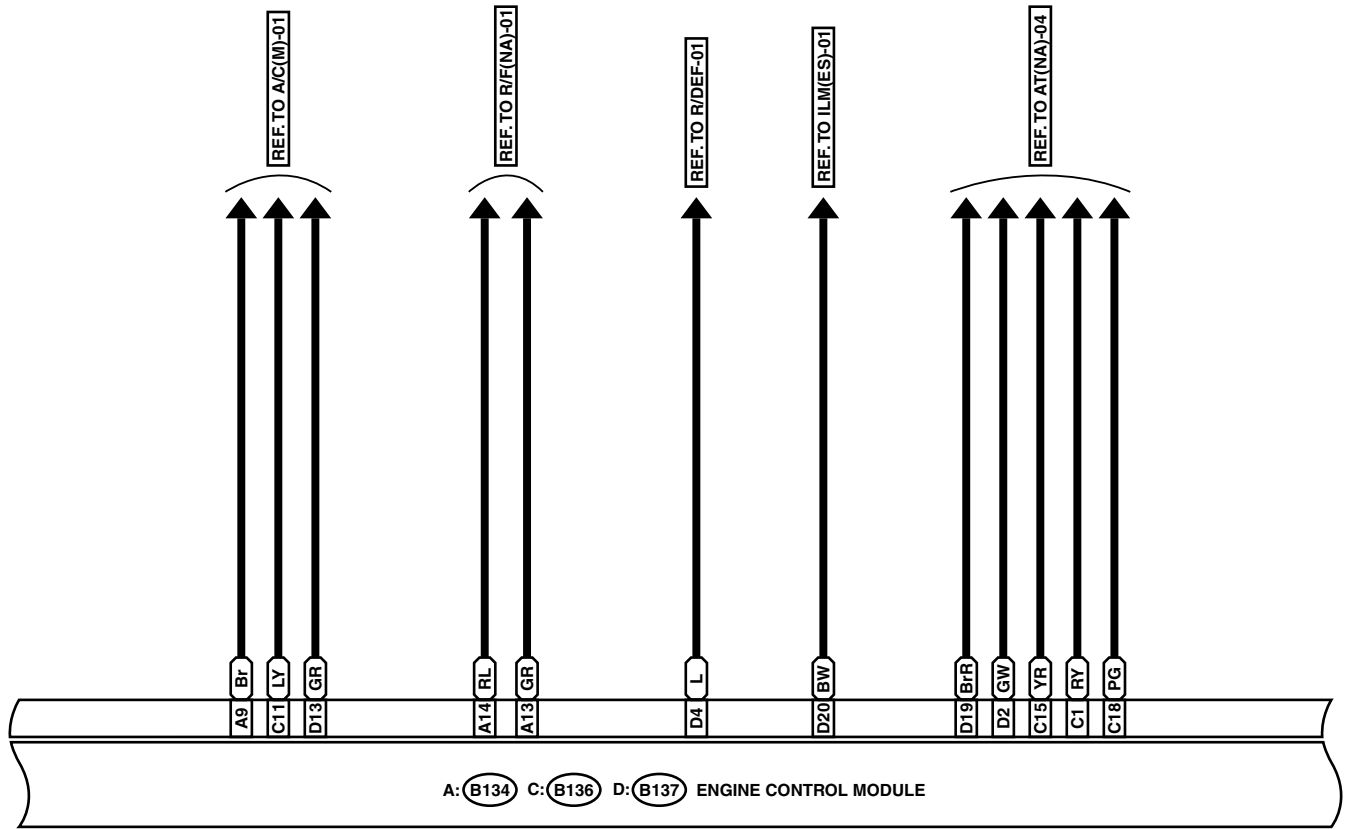






E/G(NA)-04

E/G(NA)-04



D: (B137)

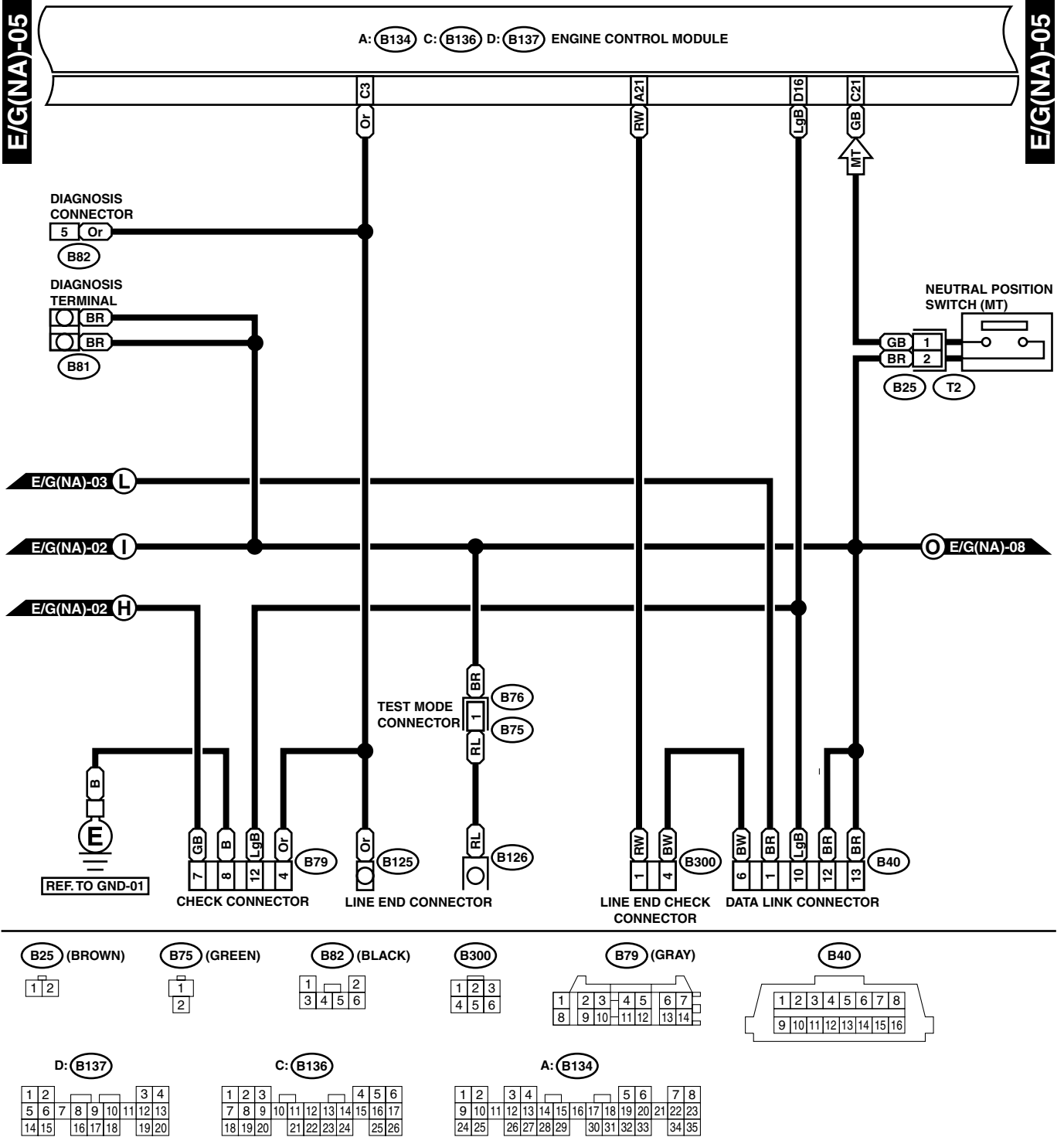
1	2			3	4
5	6	7	8	9	10
11	12	13			
14	15	16	17	18	19
					20

C: (B136)

1	2	3			4	5	6
7	8	9	10	11	12	13	14
15	16	17					
18	19	20	21	22	23	24	25
							26

A: (B134)

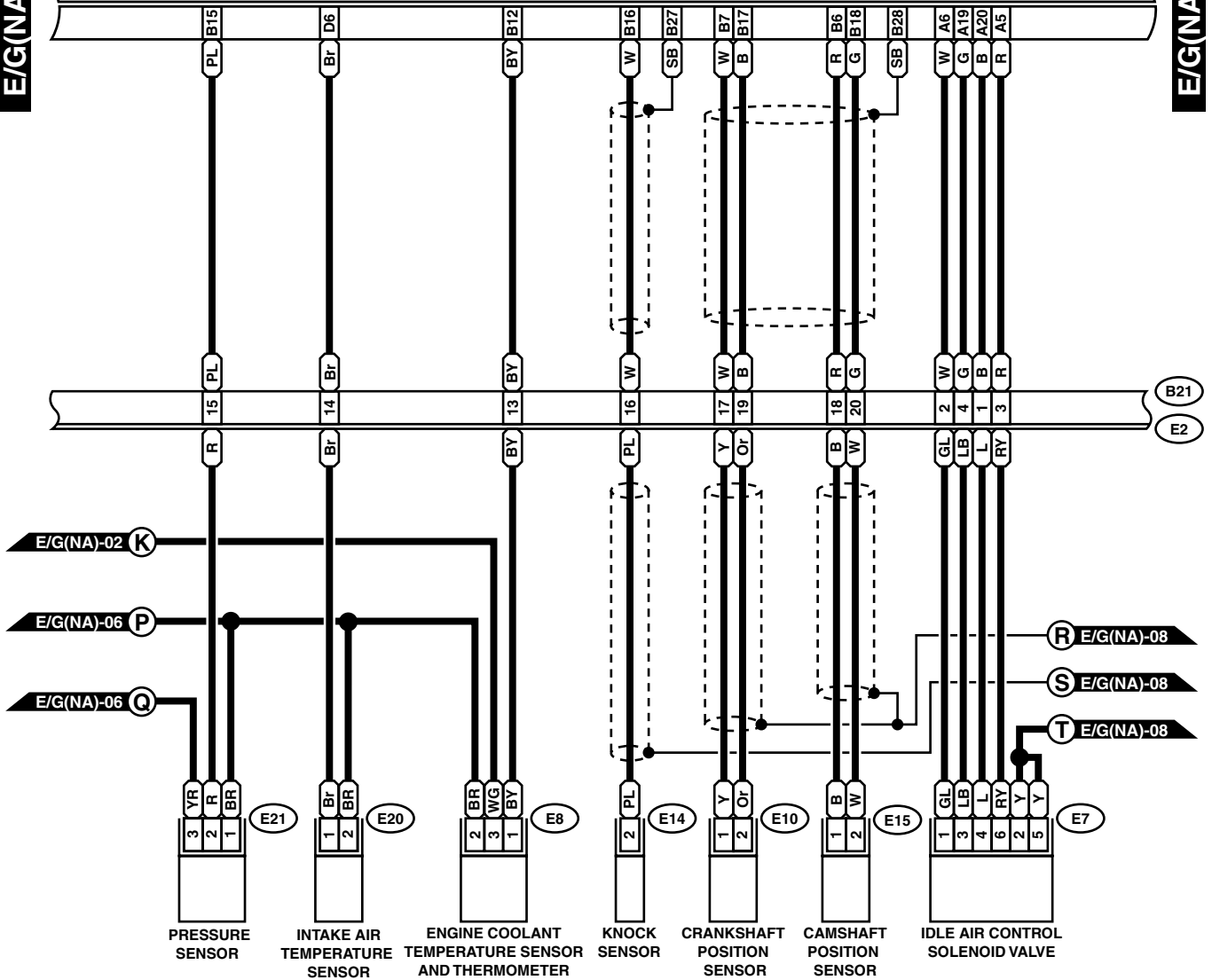
1	2	3	4			5	6	7	8
9	10	11	12	13	14	15	16	17	18
19	20	21	22	23					
24	25	26	27	28	29	30	31	32	33
									34
									35



E/G(NA)-07

E/G(NA)-07

A: (B134) B: (B135) D: (B137) ENGINE CONTROL MODULE



(E10) (LIGHT GRAY)

(E8) (LIGHT GRAY)

(E21) (LIGHT GRAY)

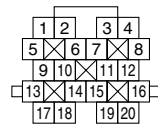
(E7) (BLACK)

(B21) (GRAY)

(E14) (LIGHT GRAY)



1 2 3



(E15) (GRAY)

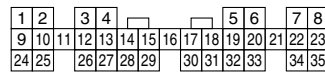
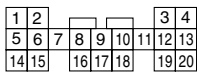
(E20) (BLACK)

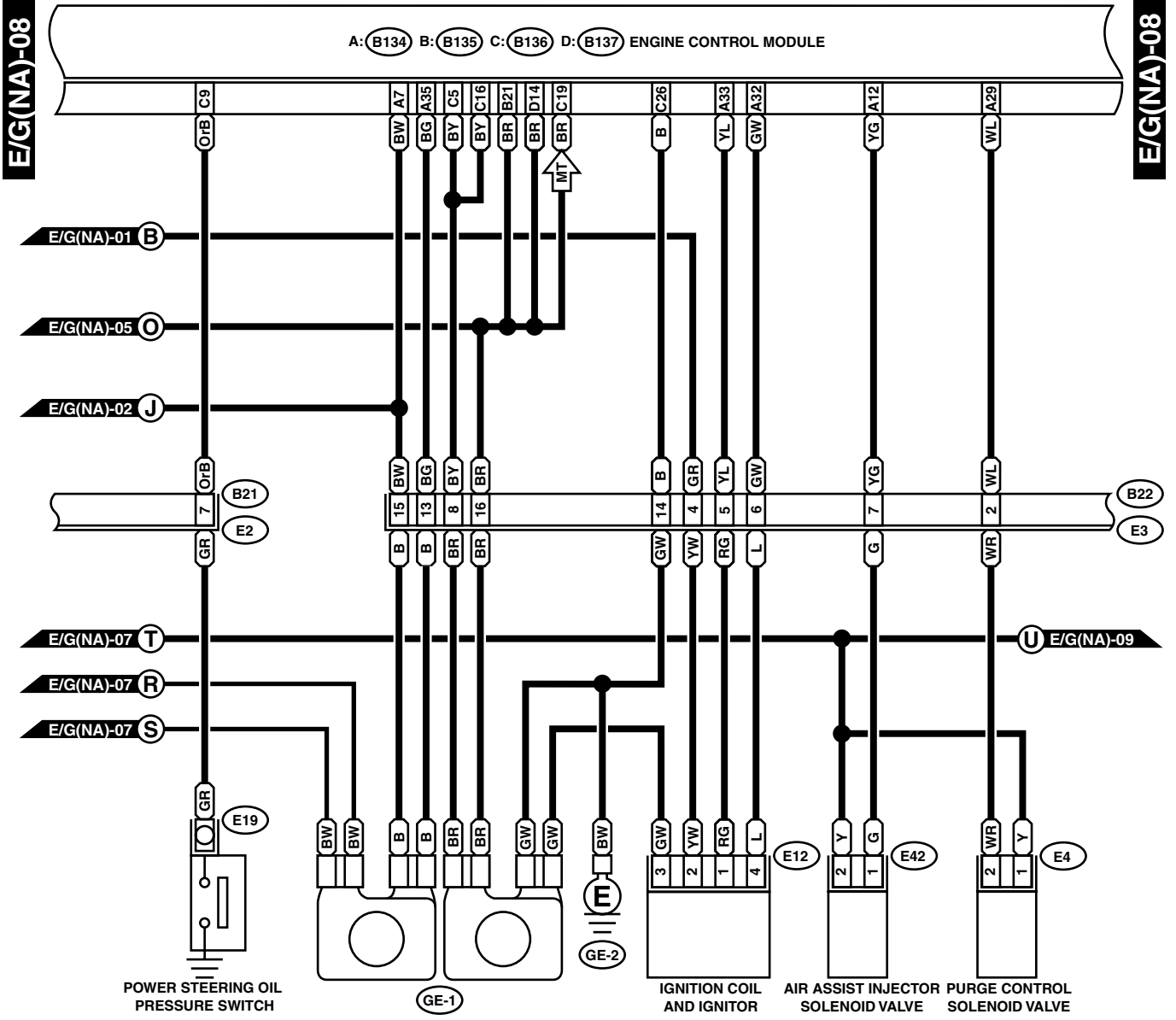


D: (B137)

B: (B135)

A: (B134)





E4 (BLACK)
E42 (PURPLE)

1	2
---	---

E12 (DARK GRAY)

1	2	3	4
---	---	---	---

B22 (BROWN)

1	2	3	4
5	6	7	8
9	10	11	12
13	14	15	16

B21 (GRAY)

1	2	3	4
5	6	7	8
9	10	11	12
13	14	15	16
17	18	19	20

D: B137

1	2	3	4
5	6	7	8
9	10	11	12
13	14	15	16
17	18	19	20

C: B136

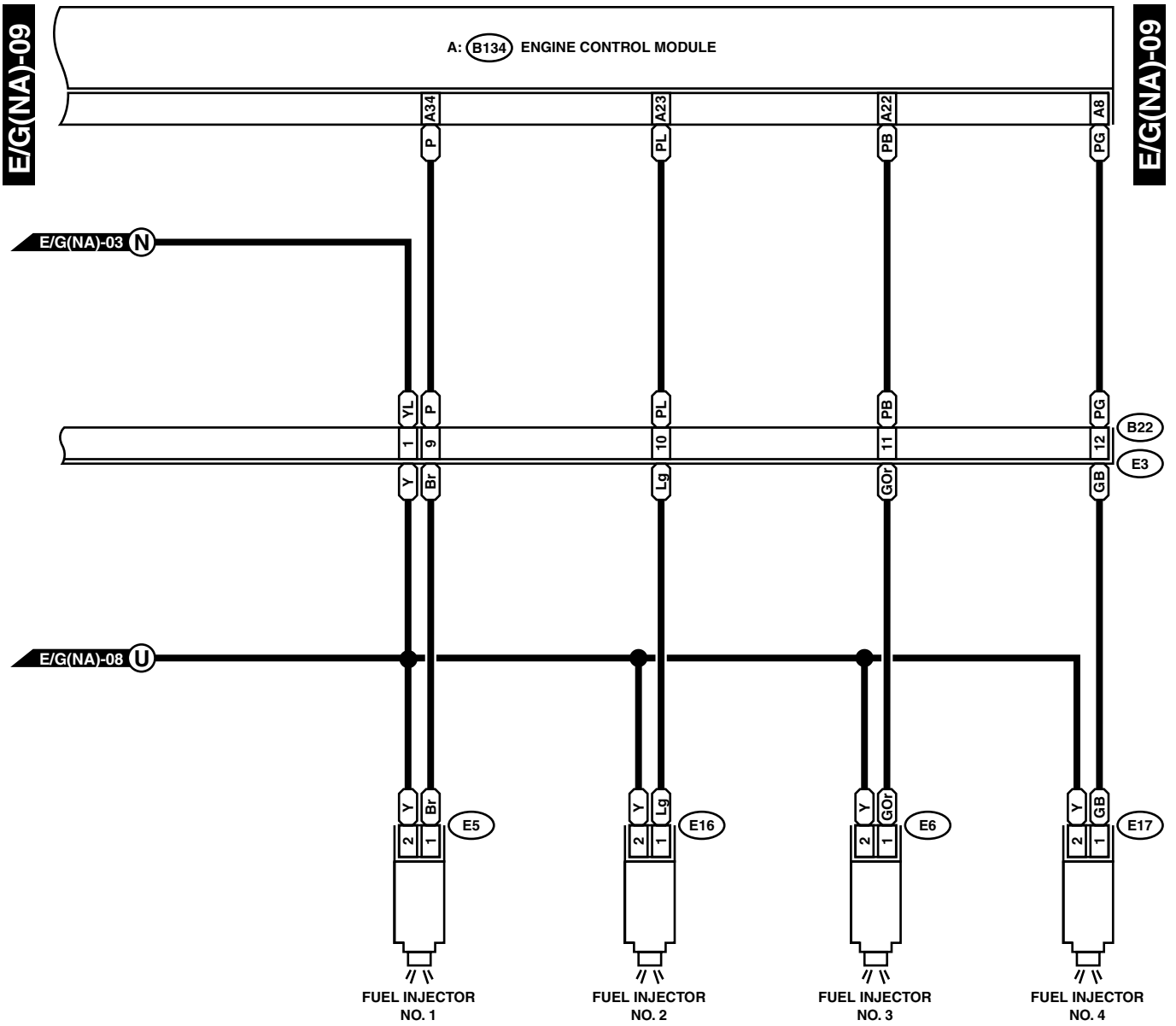
1	2	3	4	5	6
7	8	9	10	11	12
13	14	15	16	17	18
19	20	21	22	23	24
25	26				

B: B135

1	2	3	4	5	6	7
8	9	10	11	12	13	14
15	16	17	18	19	20	21
22	23	24	25	26	27	28

A: B134

1	2	3	4	5	6	7	8
9	10	11	12	13	14	15	16
17	18	19	20	21	22	23	24
25	26	27	28	29	30	31	32
33	34	35					



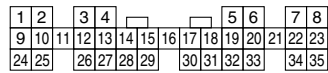
- (E5) (LIGHT GRAY)
- (E6) (LIGHT GRAY)
- (E16) (LIGHT GRAY)
- (E17) (LIGHT GRAY)



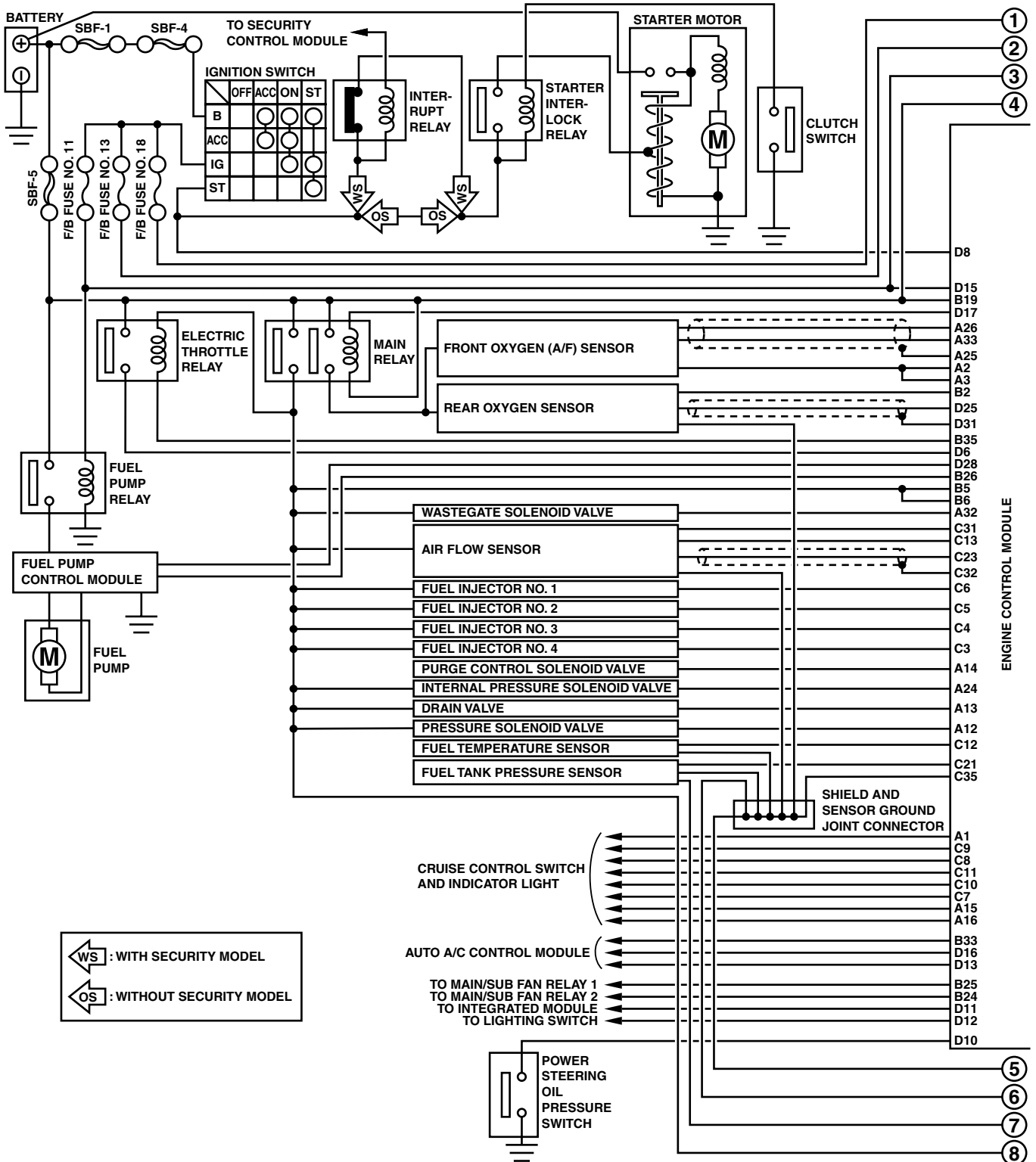
- (B22) (BROWN)

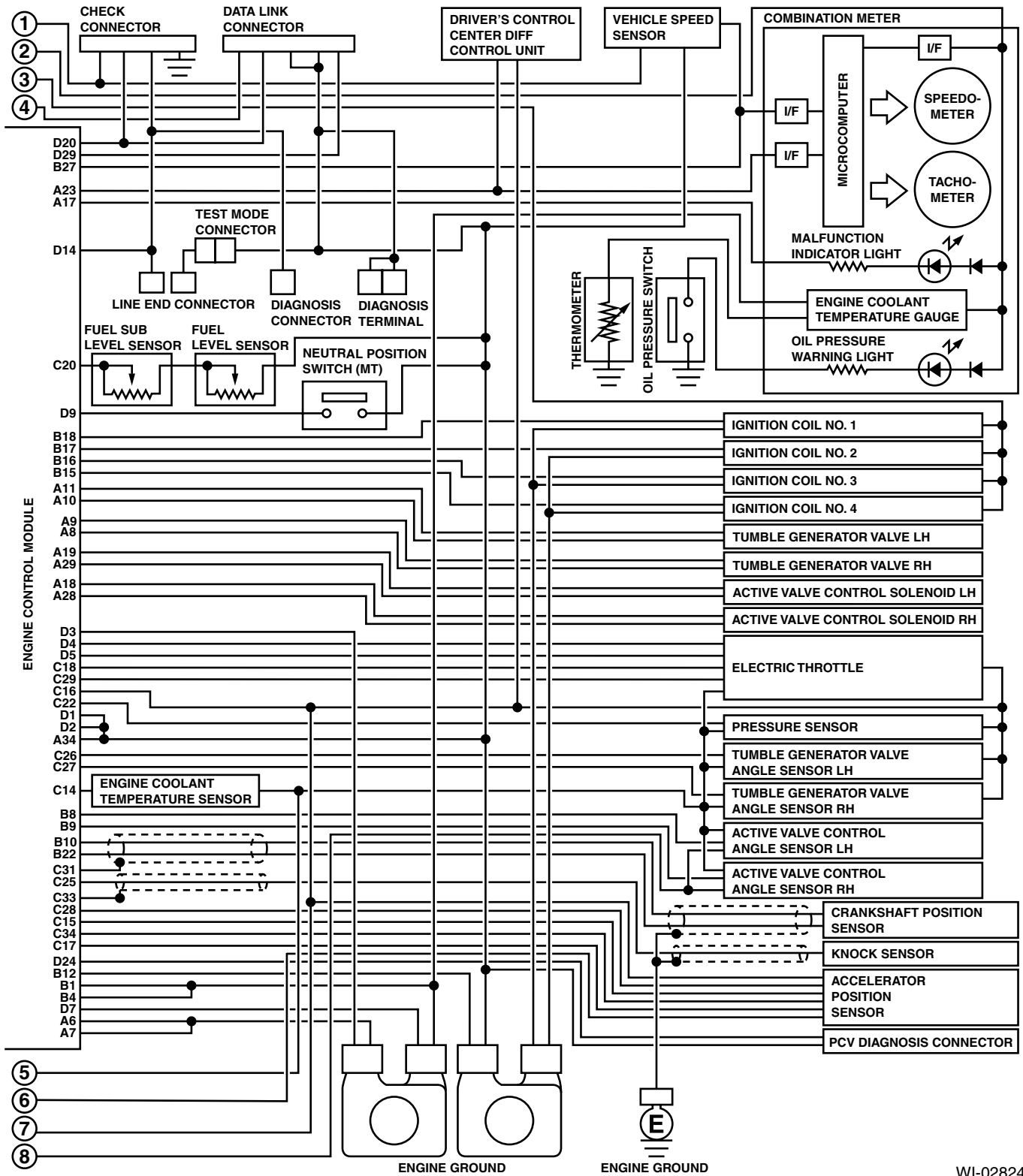


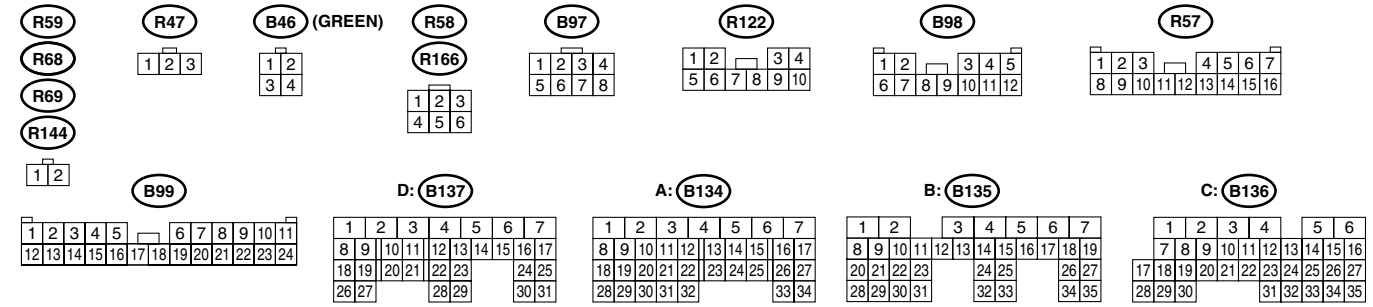
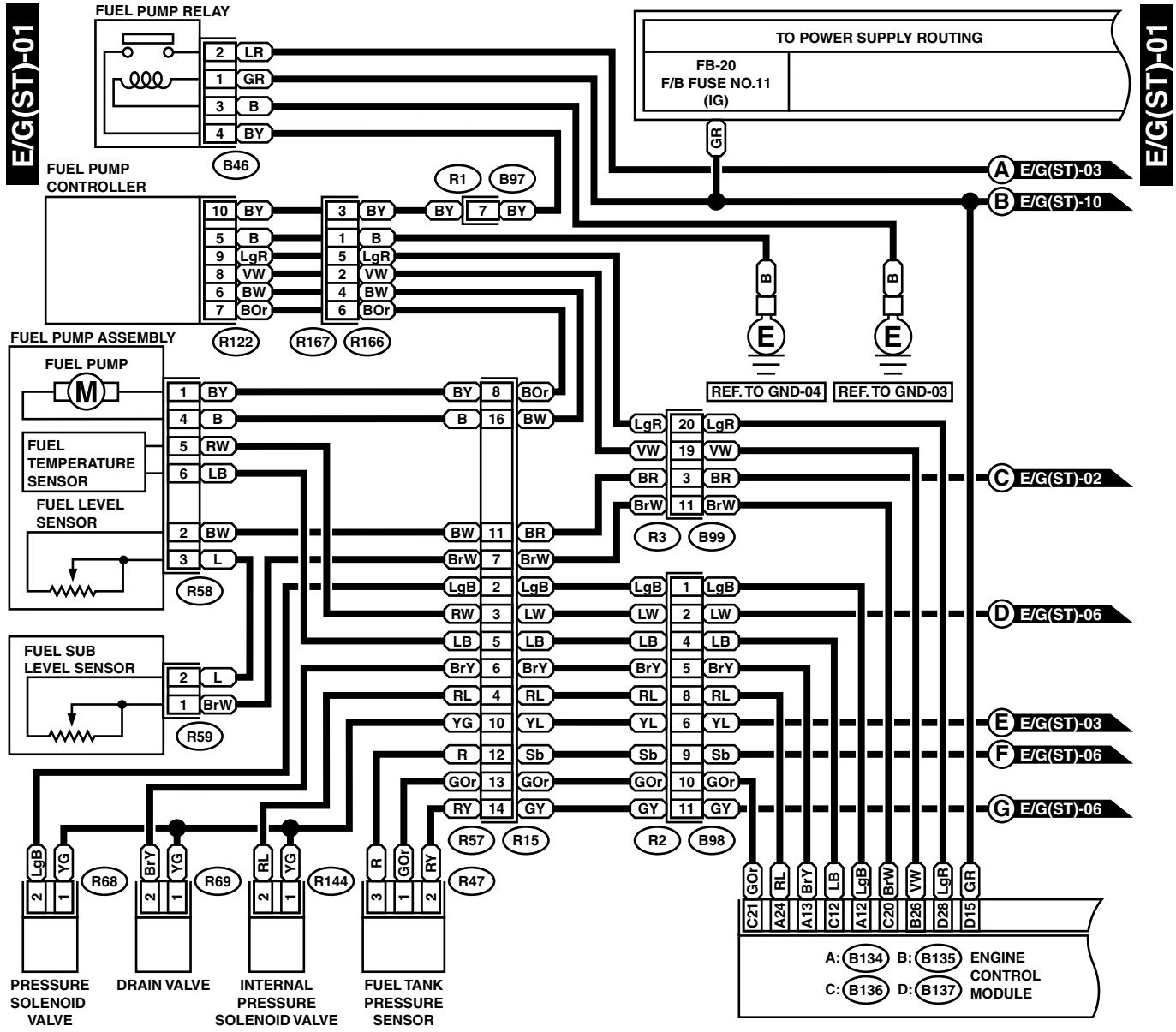
- A: B134**

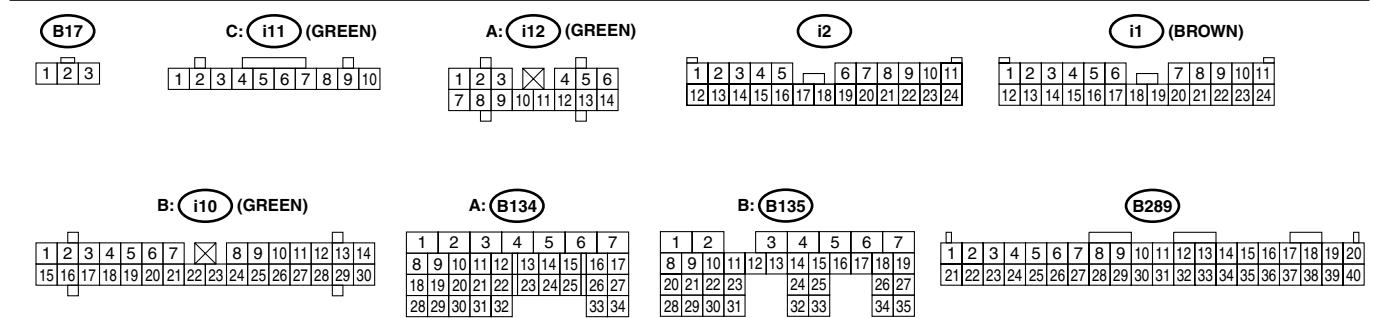
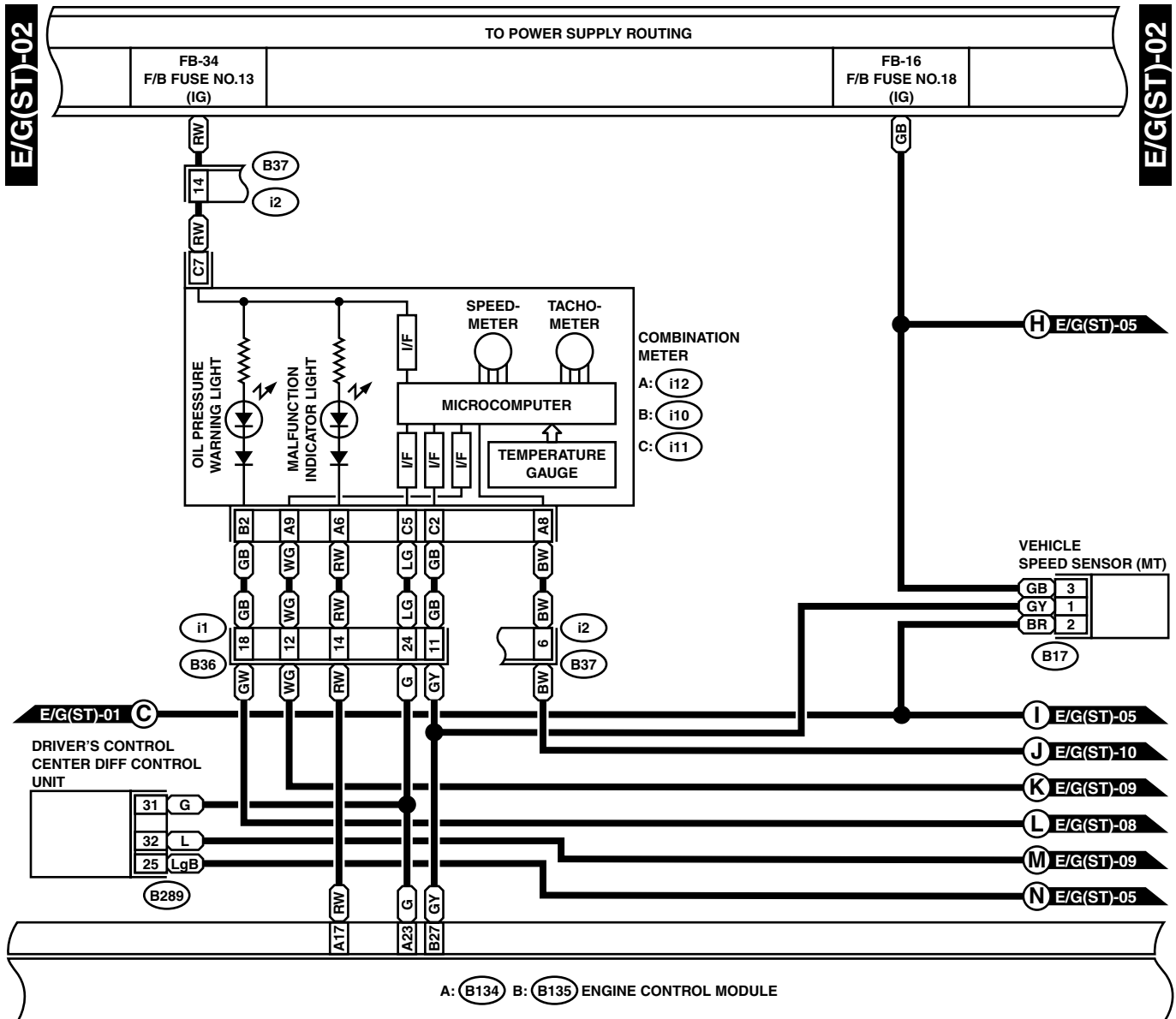


3. STi MODEL



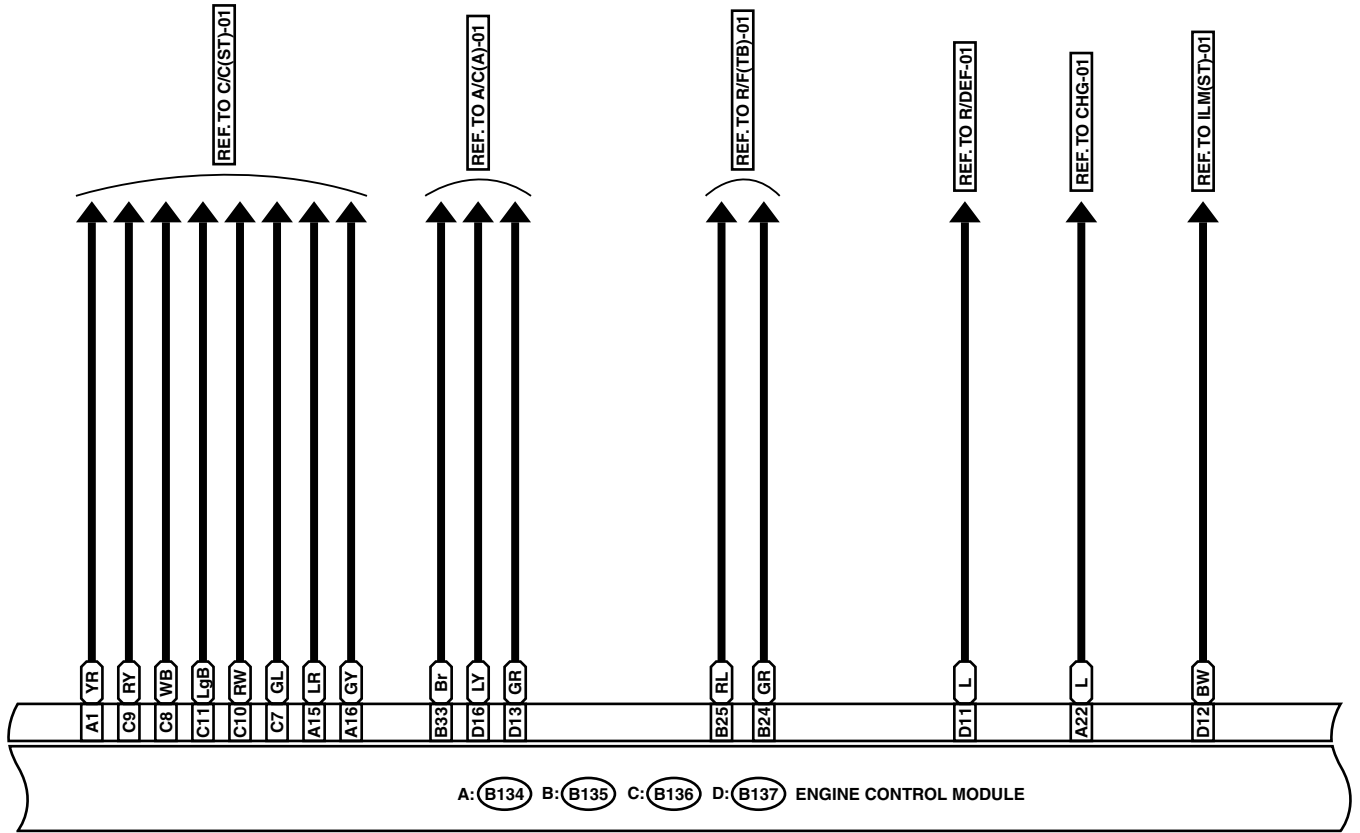






E/G(ST)-04

E/G(ST)-04



D: (B137)

1	2	3	4	5	6	7
8	9	10	11	12	13	14
15	16	17	18	19	20	21
22	23	24	25	26	27	28
29	30	31	32	33	34	35

A: (B134)

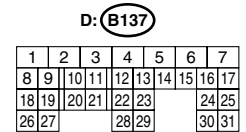
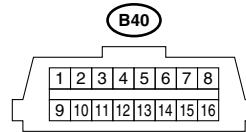
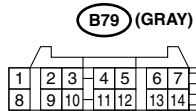
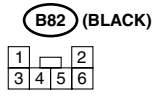
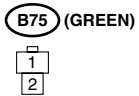
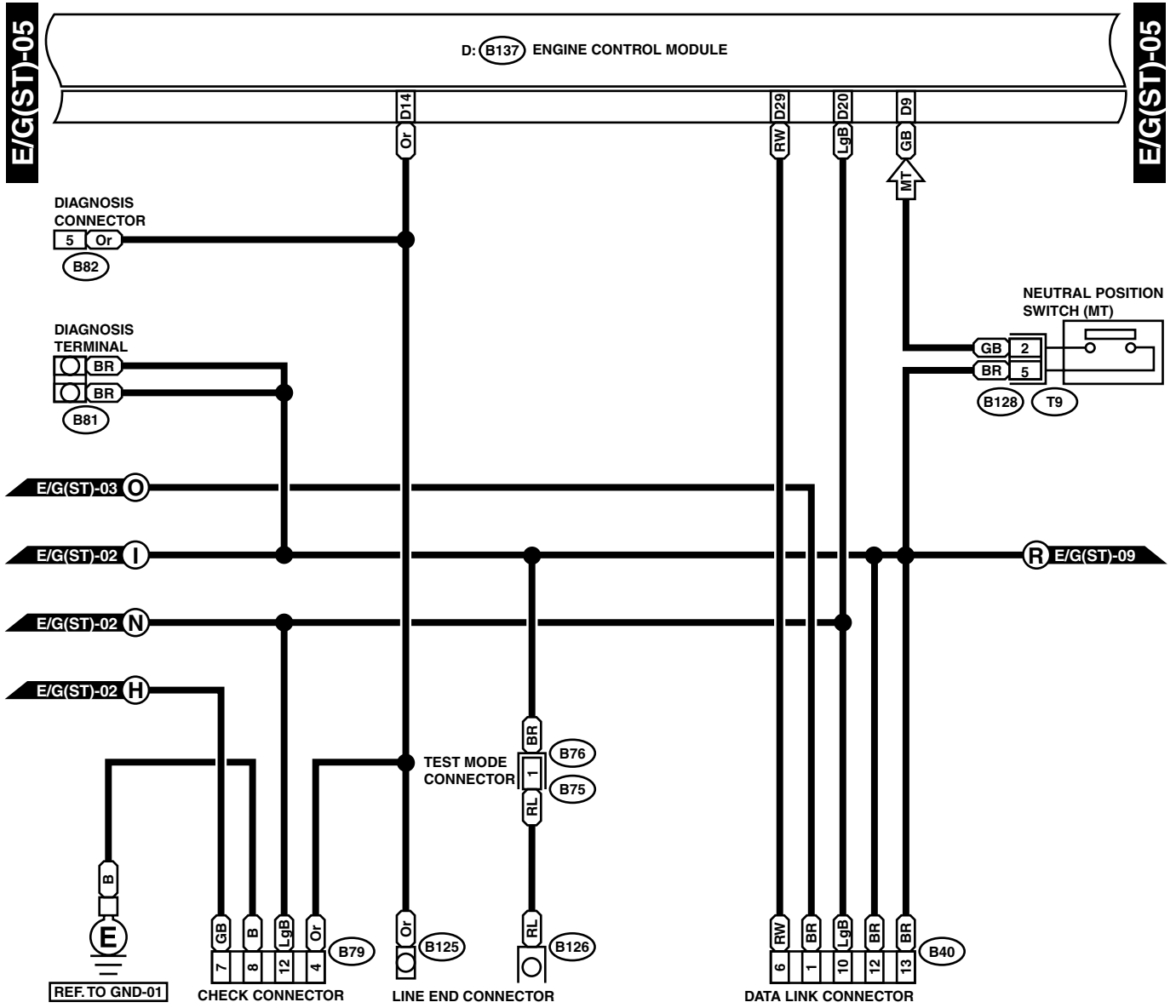
1	2	3	4	5	6	7
8	9	10	11	12	13	14
15	16	17	18	19	20	21
22	23	24	25	26	27	28
29	30	31	32	33	34	35

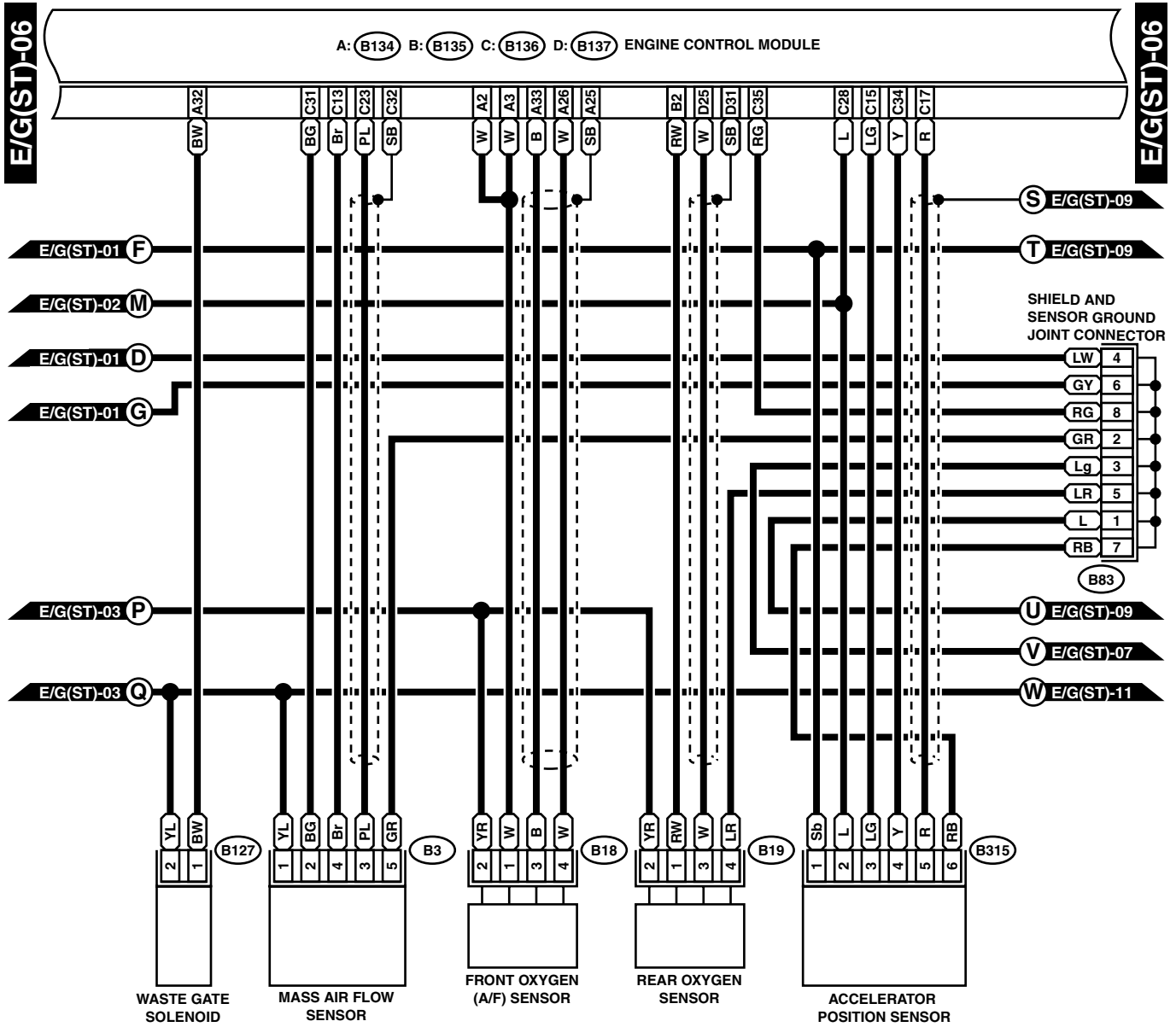
B: (B135)

1	2	3	4	5	6	7
8	9	10	11	12	13	14
15	16	17	18	19	20	21
22	23	24	25	26	27	28
29	30	31	32	33	34	35

C: (B136)

1	2	3	4	5	6
7	8	9	10	11	12
13	14	15	16	17	18
19	20	21	22	23	24
25	26	27	28	29	30
31	32	33	34	35	36





(B127) (BLUE)

1	2
---	---

(B18)

1	2
3	4

(B19)

1	2
3	4

(B3)

1	2	3	4	5
---	---	---	---	---

(B315)

1	2	3	4	5	6
---	---	---	---	---	---

(B83)

1	2	3	4
5	6	7	8

D: (B137)

1	2	3	4	5	6	7			
8	9	10	11	12	13	14	15	16	17
18	19	20	21	22	23	24	25	26	27
28	29	30	31						

A: (B134)

1	2	3	4	5	6	7			
8	9	10	11	12	13	14	15	16	17
18	19	20	21	22	23	24	25	26	27
28	29	30	31	32	33	34			

C: (B136)

1	2	3	4	5	6					
7	8	9	10	11	12	13	14	15	16	
17	18	19	20	21	22	23	24	25	26	27
28	29	30				31	32	33	34	35

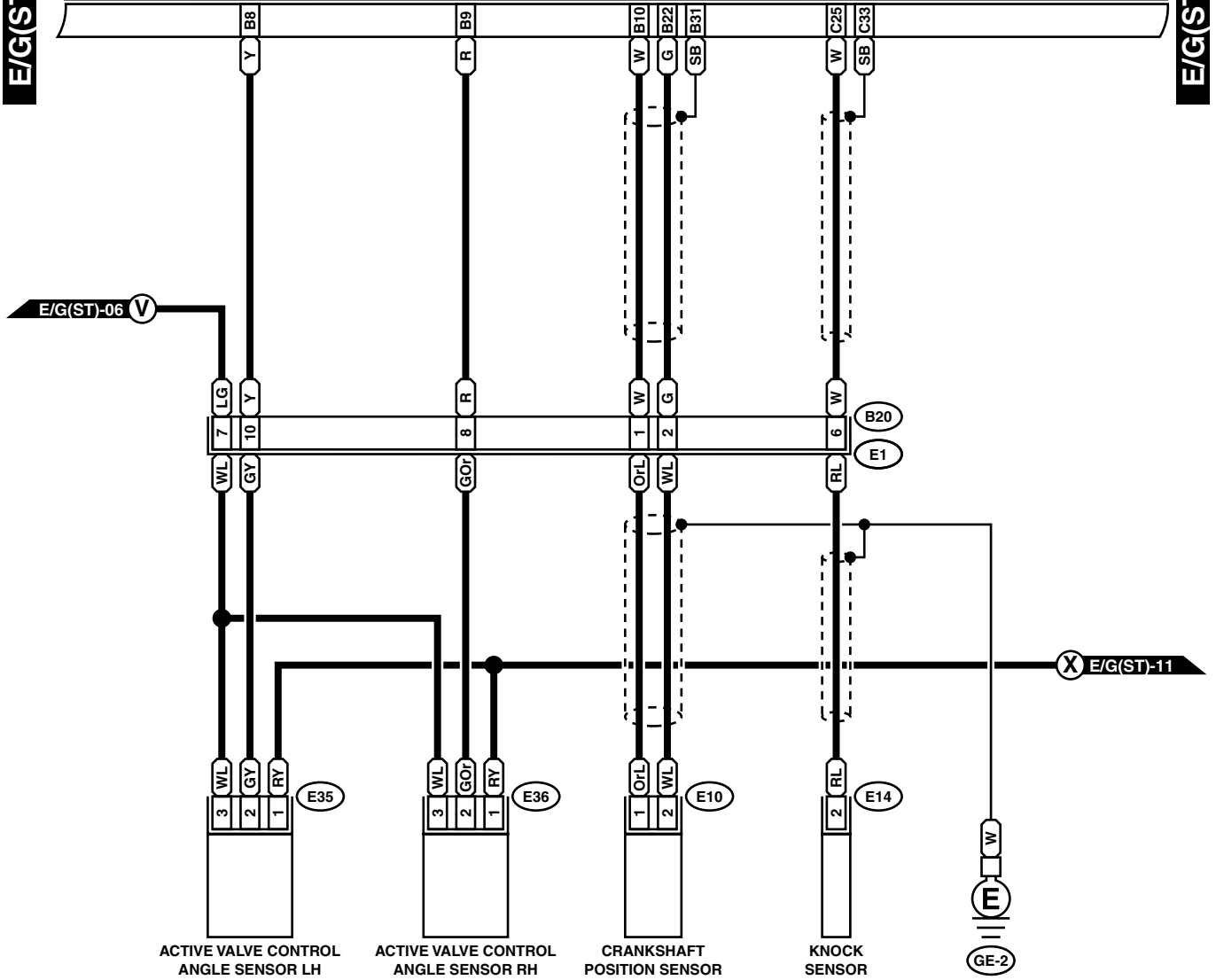
B: (B135)

1	2	3	4	5	6	7					
8	9	10	11	12	13	14	15	16	17	18	19
20	21	22	23	24	25	26	27				
28	29	30	31	32	33	34	35				

E/G(ST)-07

E/G(ST)-07

B: (B135) C: (B136) ENGINE CONTROL MODULE



(E10) (LIGHT GRAY)

1	2
---	---

(E14) (LIGHT GRAY)

1	2
---	---

(E35) (LIGHT GRAY)

1	2	3
---	---	---

(E36) (LIGHT GRAY)

1	2	3
---	---	---

(B20) (LIGHT GRAY)

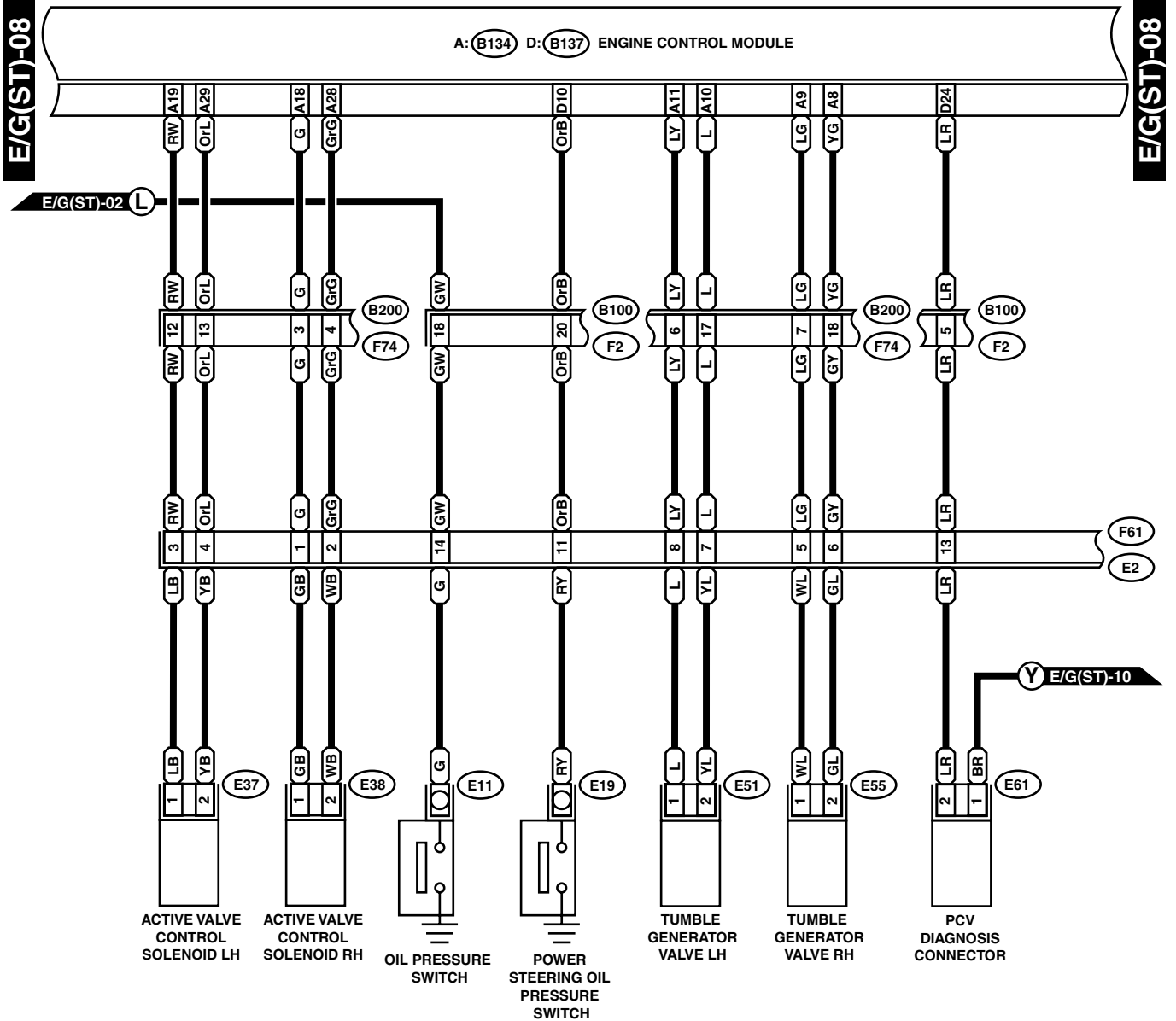
1	2	3	4
5	6	7	
8	9	10	

B: (B135)

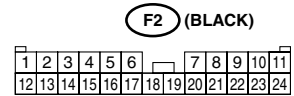
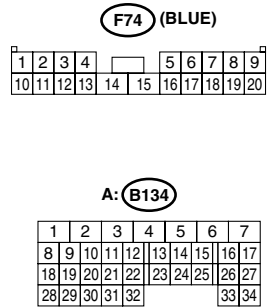
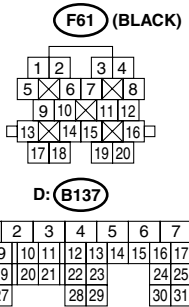
1	2	3	4	5	6	7					
8	9	10	11	12	13	14	15	16	17	18	19
20	21	22	23	24	25	26	27				
28	29	30	31	32	33	34	35				

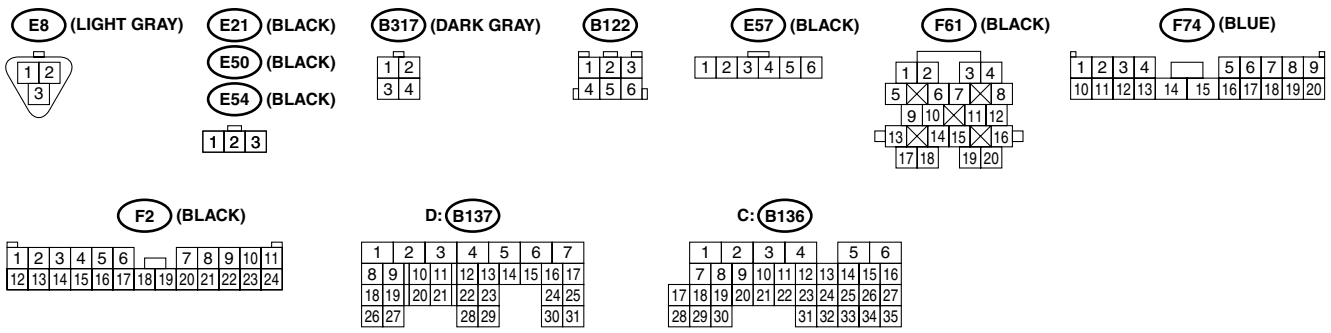
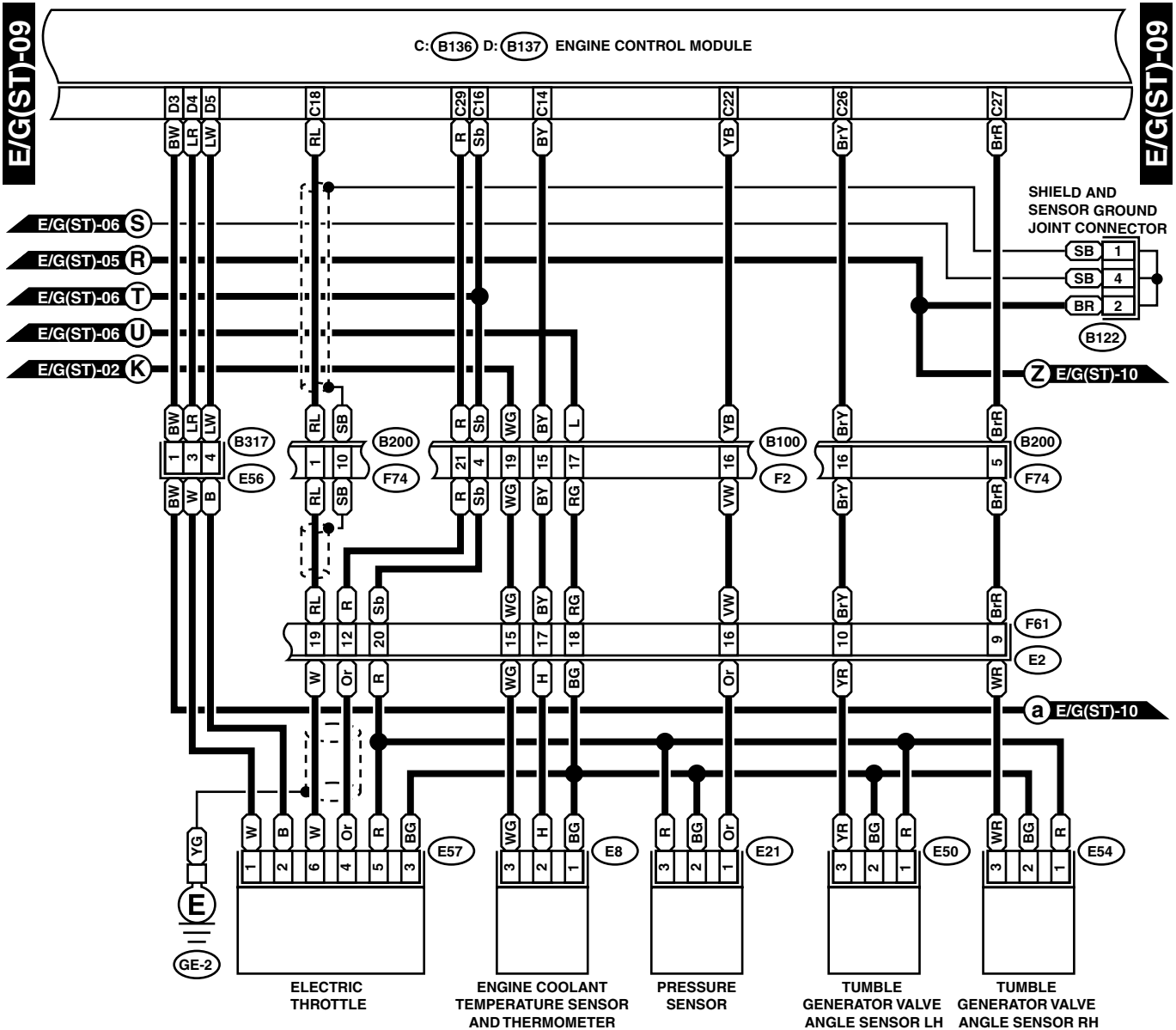
C: (B136)

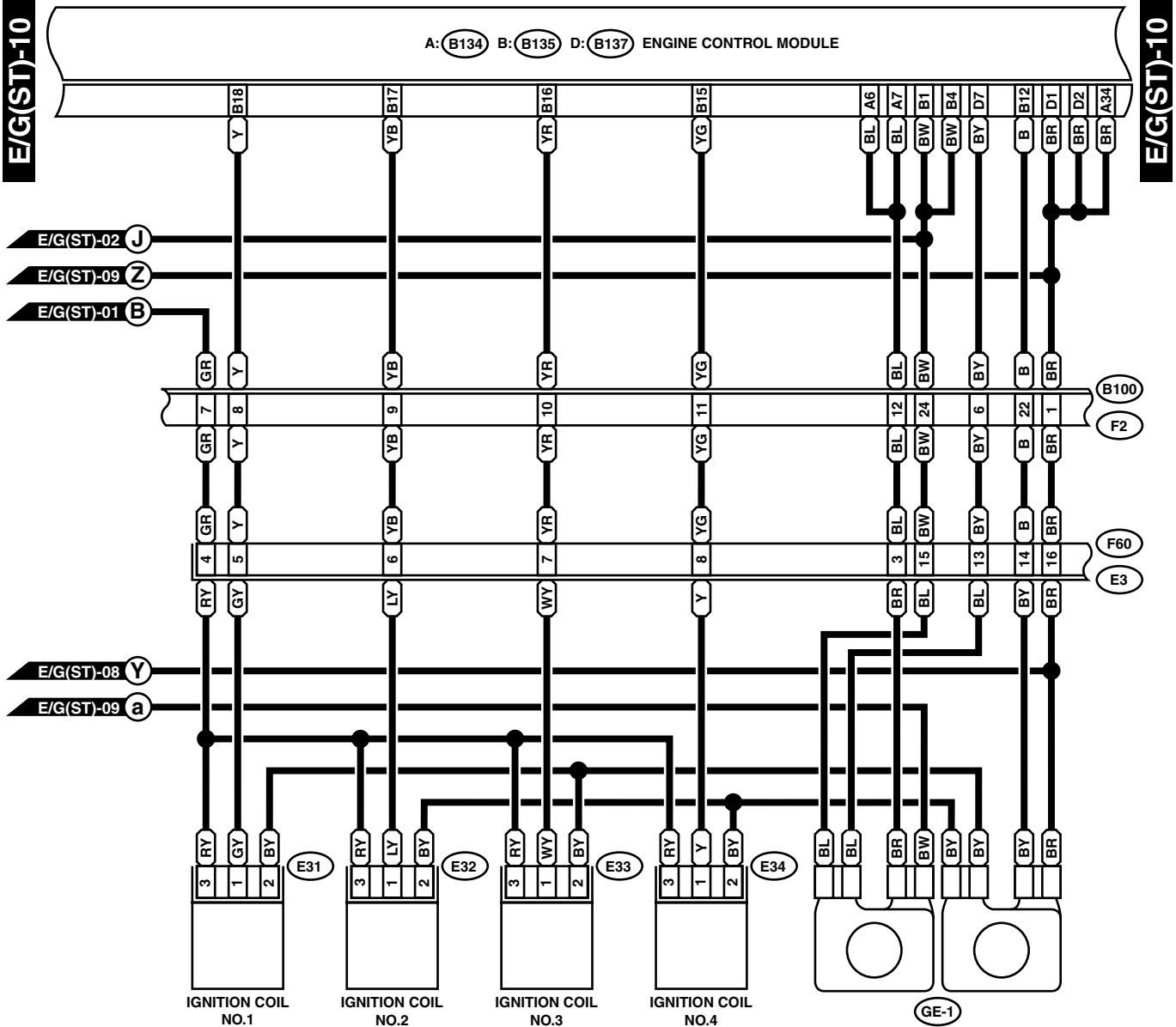
1	2	3	4	5	6					
7	8	9	10	11	12	13	14	15	16	
17	18	19	20	21	22	23	24	25	26	27
28	29	30				31	32	33	34	35



- (E37)
- (E38)
- (E51) (BLACK)
- (E55) (BLACK)
- (E61) (GRAY)
- 1 2







- E31
- E32
- E33 (BLACK)
- E34 (BLACK)

F60 (BROWN)

1	2	3	4
5	6	7	8
9	10	11	12
13	14	15	16

F2 (BLACK)

1	2	3	4	5	6	7	8	9	10	11		
12	13	14	15	16	17	18	19	20	21	22	23	24

D: B137

1	2	3	4	5	6	7			
8	9	10	11	12	13	14	15	16	17
18	19	20	21	22	23	24	25		
26	27	28	29	30	31				

A: B134

1	2	3	4	5	6	7			
8	9	10	11	12	13	14	15	16	17
18	19	20	21	22	23	24	25	26	27
28	29	30	31	32	33	34			

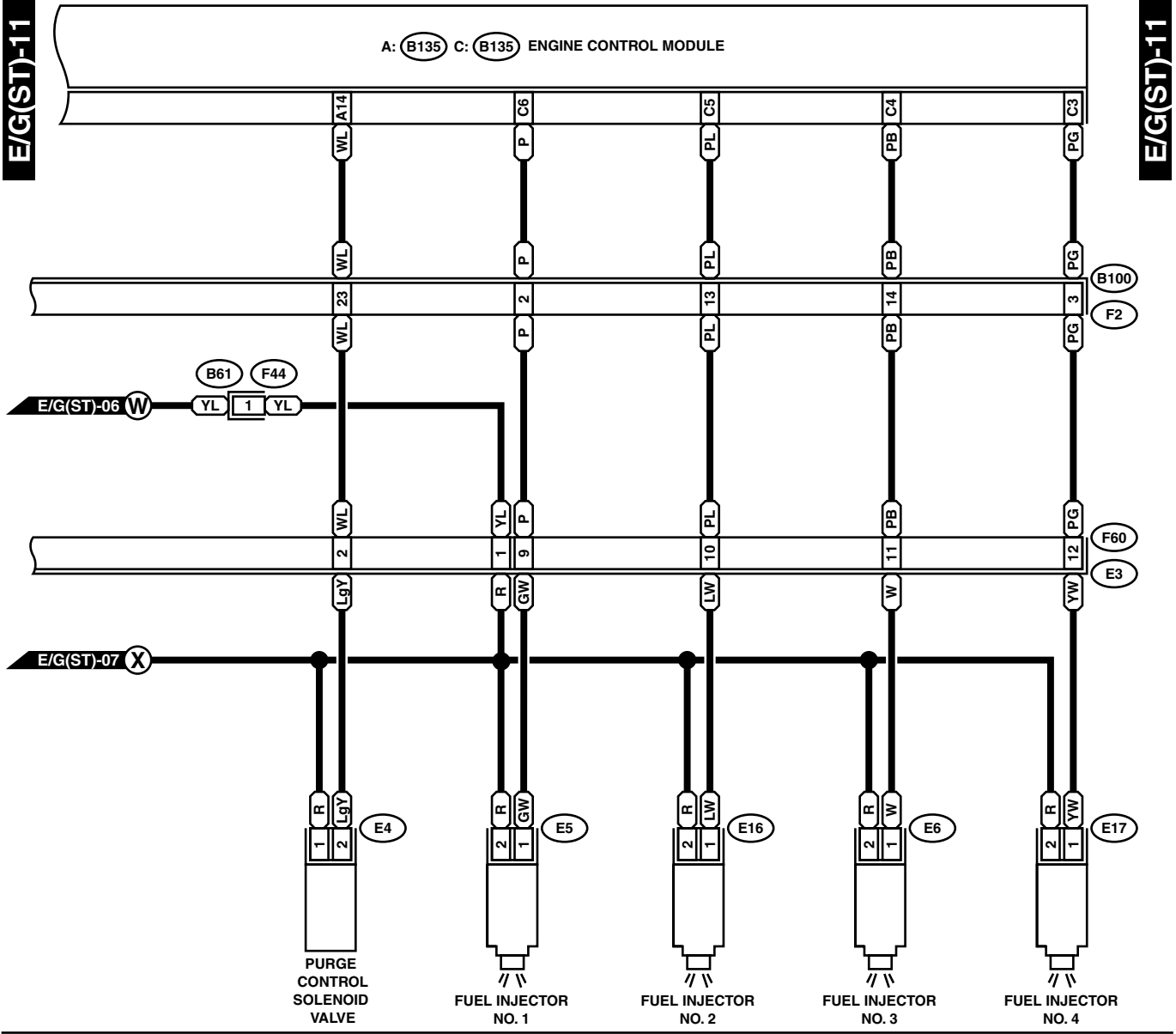
- 1
- 2
- 3

B: B135

1	2	3	4	5	6	7					
8	9	10	11	12	13	14	15	16	17	18	19
20	21	22	23	24	25	26	27				
28	29	30	31	32	33	34	35				

E/G(ST)-11

E/G(ST)-11



- (E5) (DARK GRAY)
- (E6) (DARK GRAY)
- (E16) (DARK GRAY)
- (E17) (DARK GRAY)

- (E4) (BLACK)
- | | |
|---|---|
| 1 | 2 |
|---|---|

- (F44)
- | | | | |
|---|---|---|---|
| 1 | 2 | 3 | 4 |
| 5 | 6 | 7 | 8 |

- (F60) (BROWN)
- | | | | |
|----|----|----|----|
| 1 | 2 | 3 | 4 |
| 5 | 6 | 7 | 8 |
| 9 | 10 | 11 | 12 |
| 13 | 14 | 15 | 16 |

- (F2) (BLACK)
- | | | | | | | | | | | | | |
|----|----|----|----|----|----|----|----|----|----|----|----|----|
| 1 | 2 | 3 | 4 | 5 | 6 | | 7 | 8 | 9 | 10 | 11 | |
| 12 | 13 | 14 | 15 | 16 | 17 | 18 | 19 | 20 | 21 | 22 | 23 | 24 |

- | | |
|---|---|
| 1 | 2 |
|---|---|

A: (B134)

1	2	3	4	5	6	7			
8	9	10	11	12	13	14	15	16	17
18	19	20	21	22	23	24	25	26	27
28	29	30	31	32		33	34		

C: (B136)

1	2	3	4	5	6					
7	8	9	10	11	12	13	14	15	16	
17	18	19	20	21	22	23	24	25	26	27
28	29	30		31	32	33	34	35		