

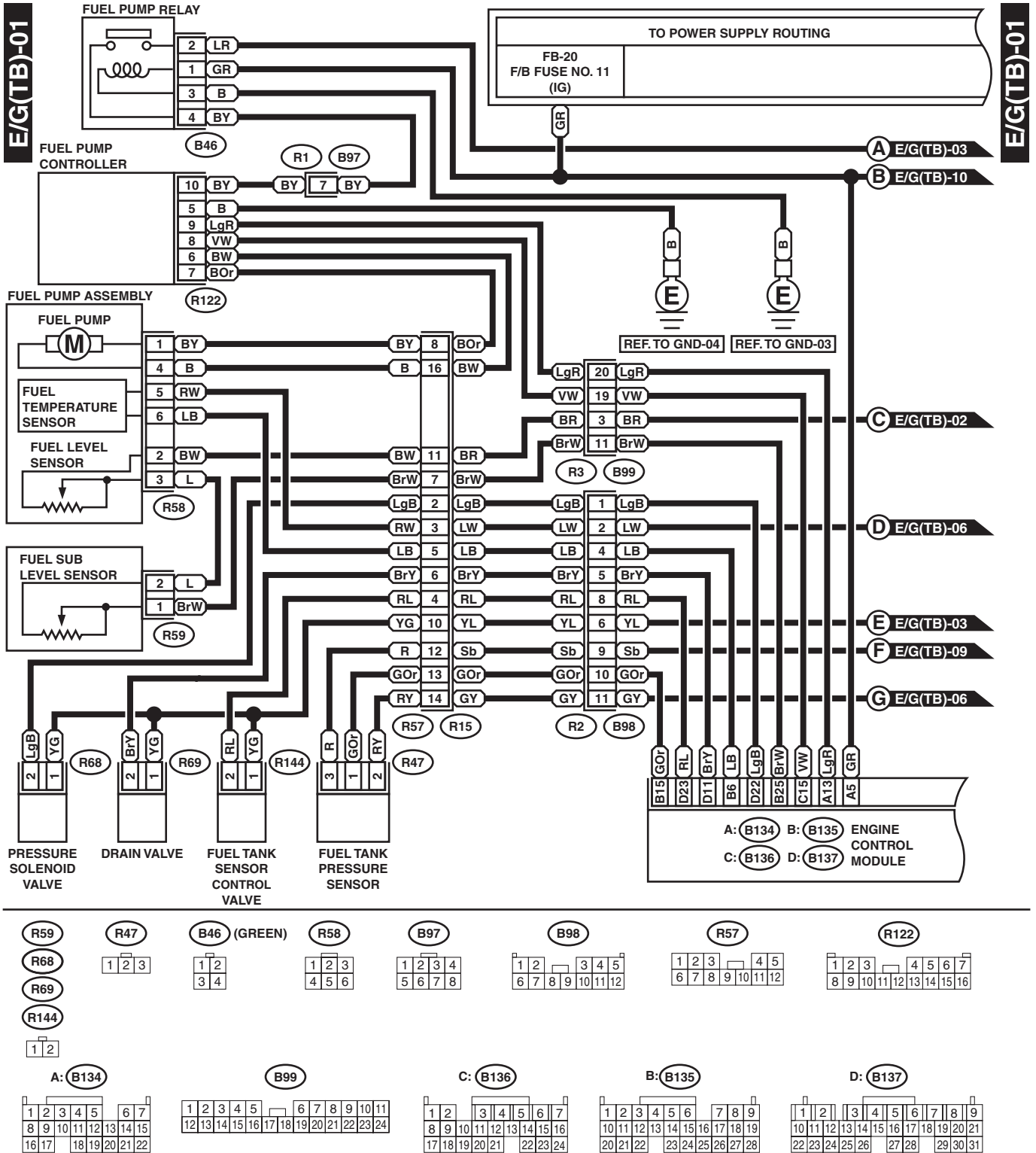
# ENGINE ELECTRICAL SYSTEM

WIRING SYSTEM

## 19.Engine Electrical System

### A: SCHEMATIC

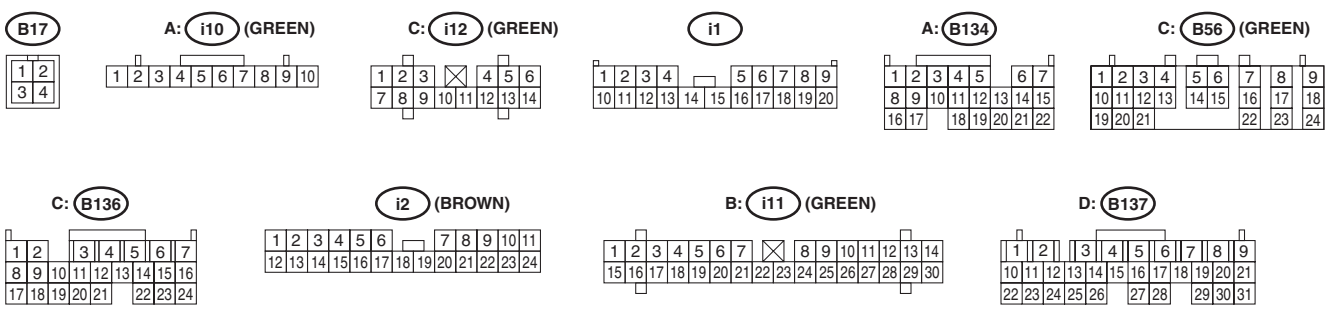
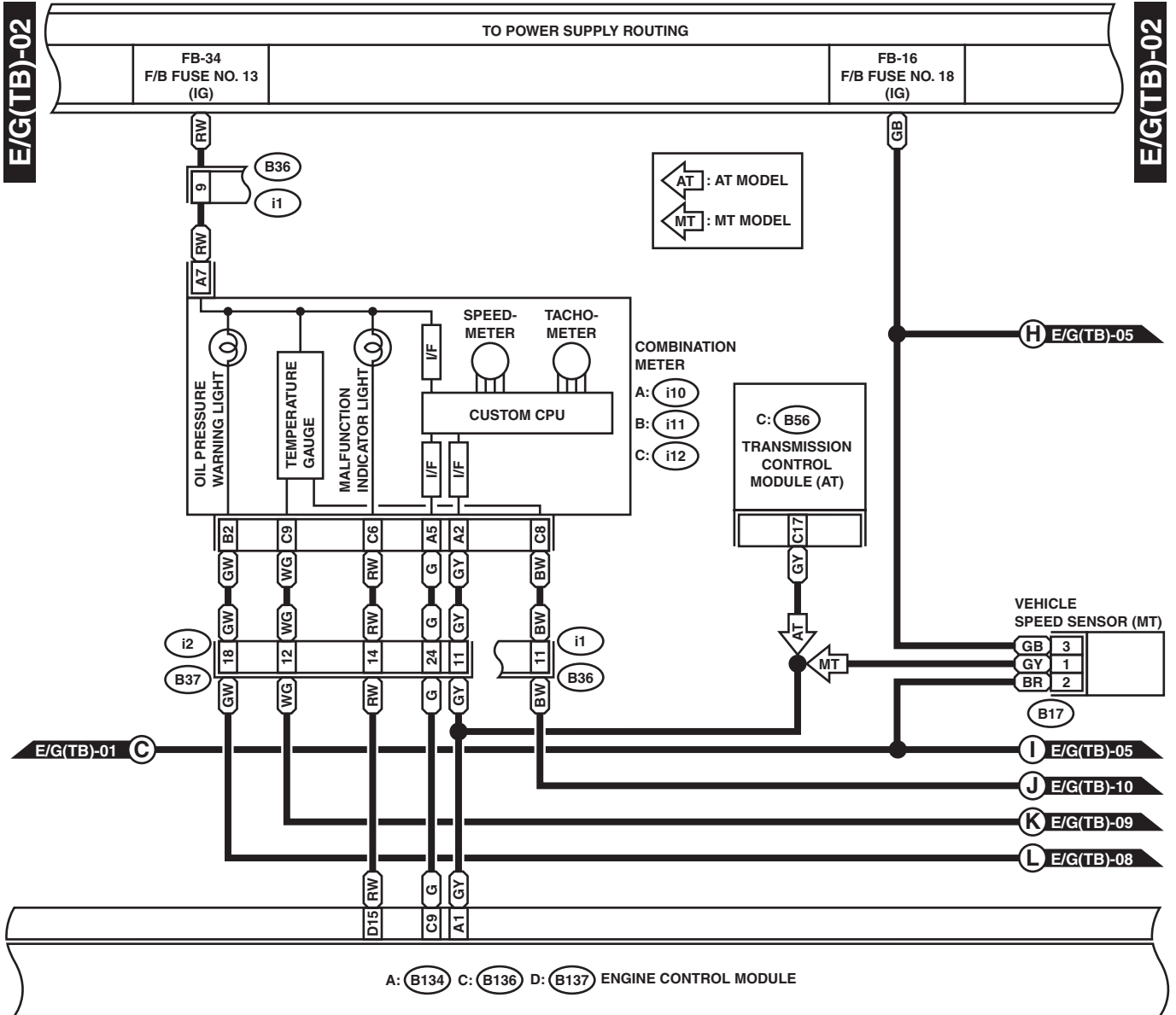
#### 1. TURBO ENGINE MODEL



WI-01128

# ENGINE ELECTRICAL SYSTEM

WIRING SYSTEM

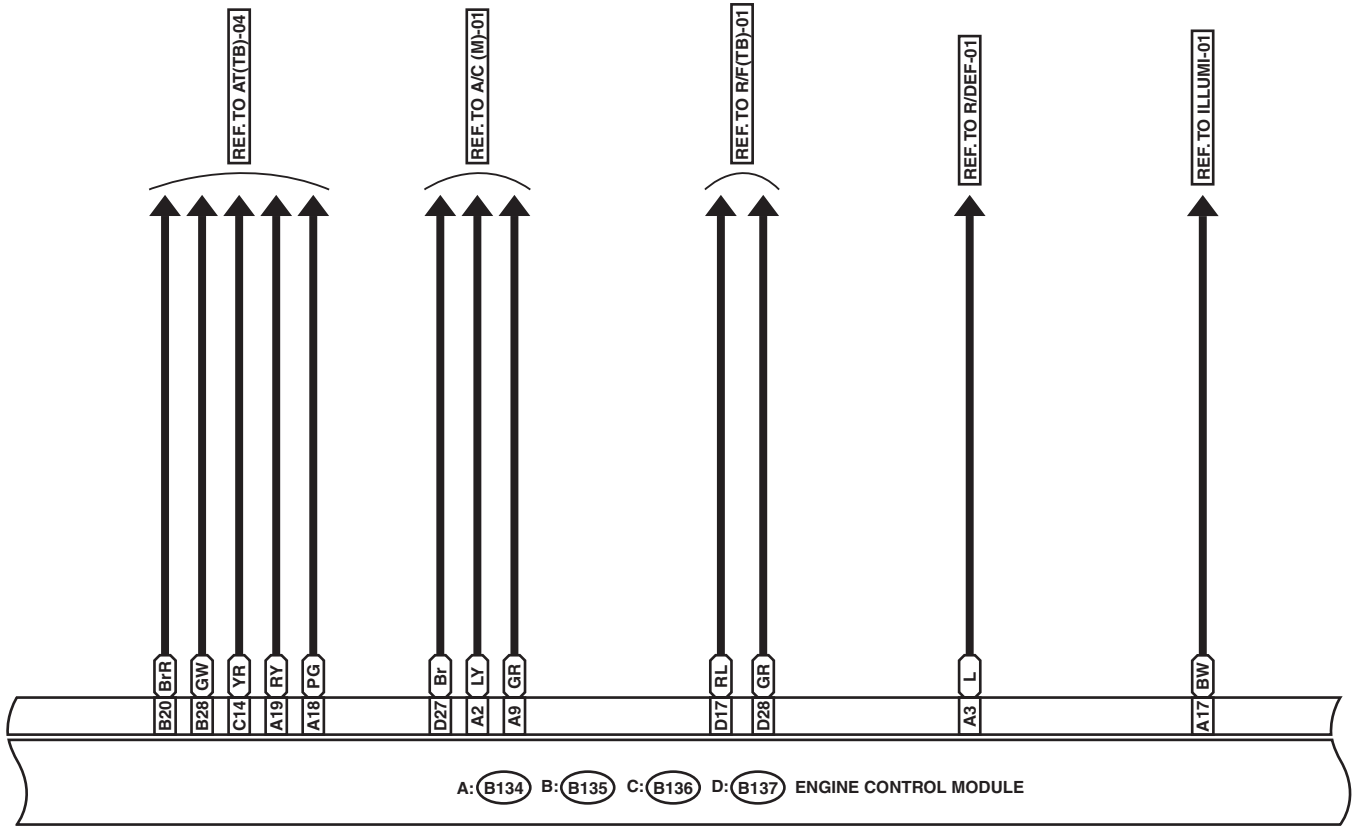


WI-01129



E/G(TB)-04

E/G(TB)-04



**A: (B134)**

1	2	3	4	5	6	7	
8	9	10	11	12	13	14	15
16	17	18	19	20	21	22	

**C: (B136)**

1	2	3	4	5	6	7		
8	9	10	11	12	13	14	15	16
17	18	19	20	21	22	23	24	

**B: (B135)**

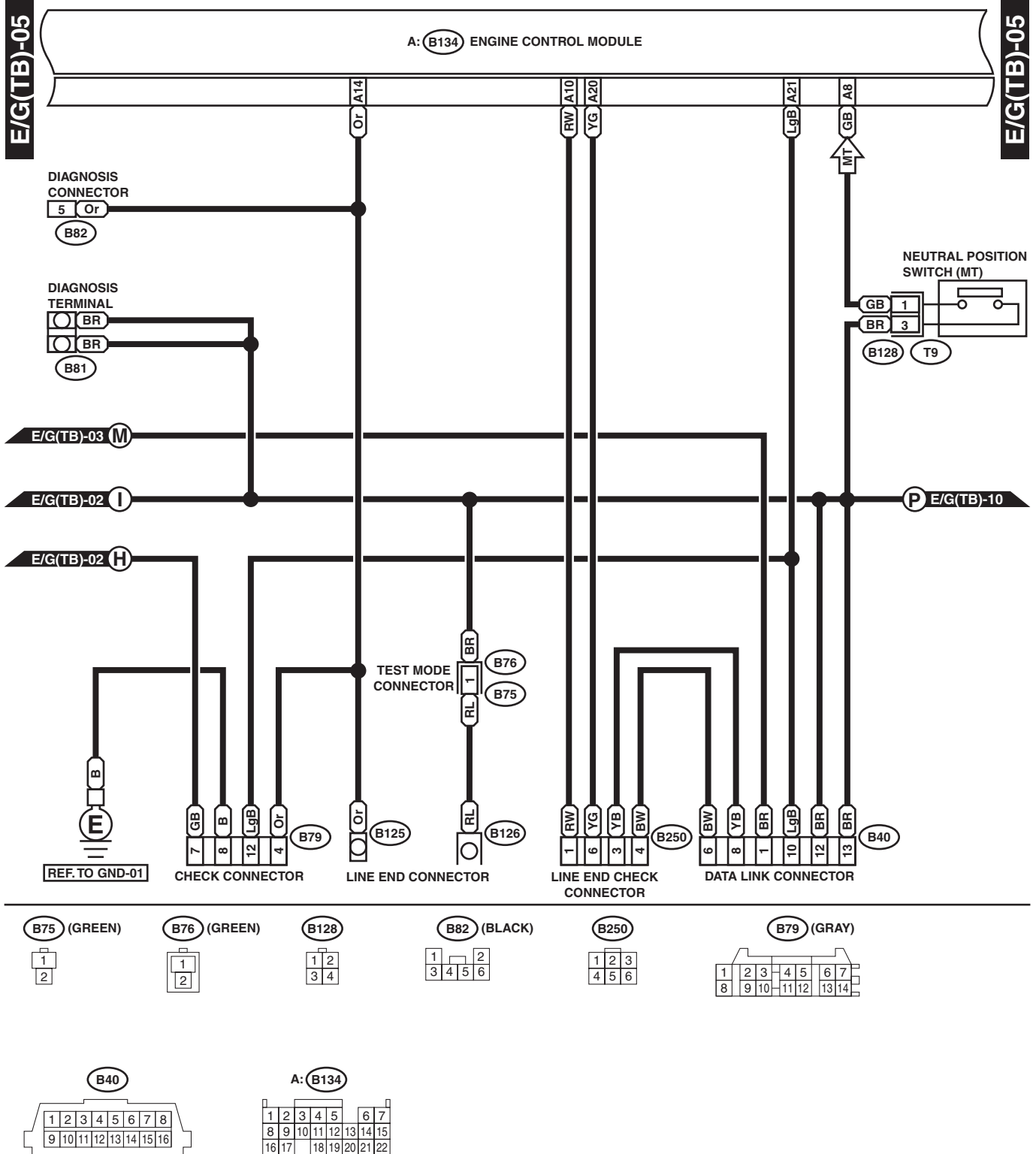
1	2	3	4	5	6	7	8	9	
10	11	12	13	14	15	16	17	18	19
20	21	22	23	24	25	26	27	28	

**D: (B137)**

1	2	3	4	5	6	7	8	9			
10	11	12	13	14	15	16	17	18	19	20	21
22	23	24	25	26	27	28	29	30	31		

# ENGINE ELECTRICAL SYSTEM

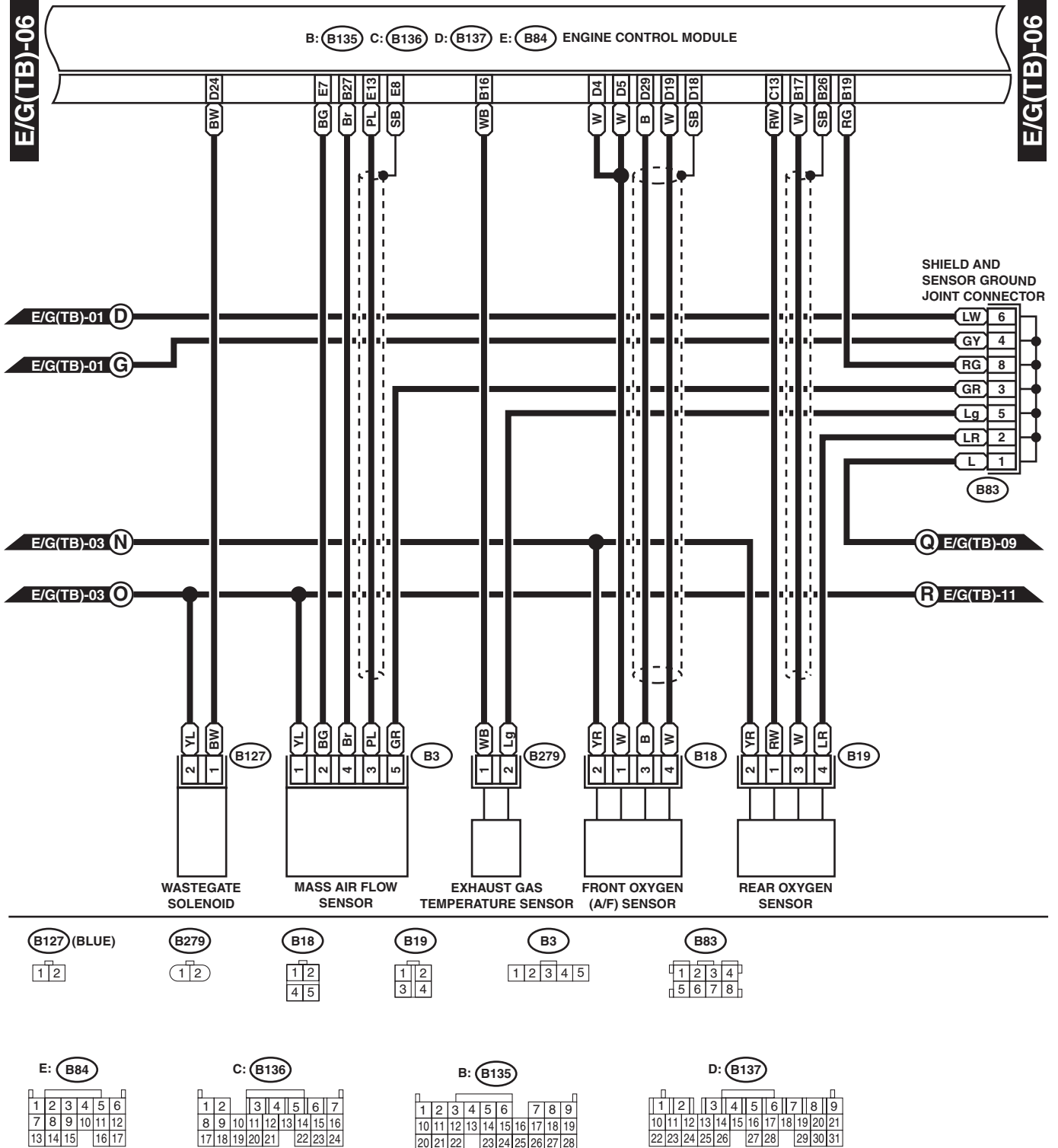
WIRING SYSTEM



WI-01131

# ENGINE ELECTRICAL SYSTEM

WIRING SYSTEM



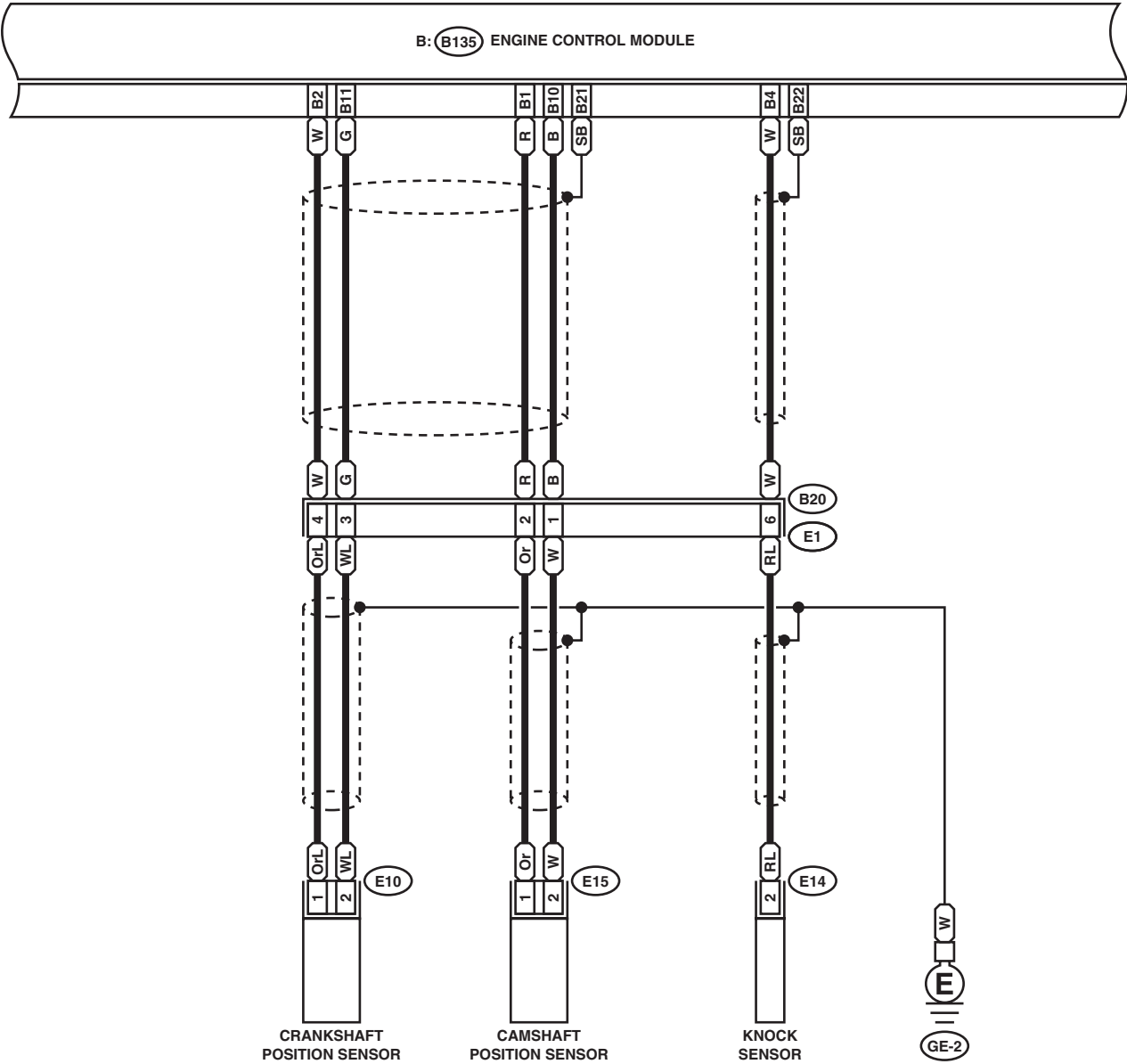
WI-01132

# ENGINE ELECTRICAL SYSTEM

WIRING SYSTEM

E/G(TB)-07

E/G(TB)-07



- E10 (LIGHT GRAY)
- E14 (GRAY)
- E15 (LIGHT GRAY)

E1 (LIGHT GRAY)

1	2	3	4
5	6	7	
8	9	10	

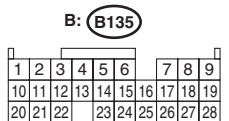
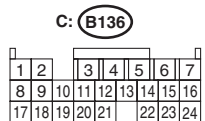
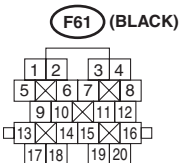
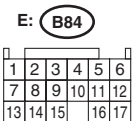
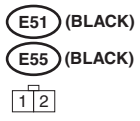
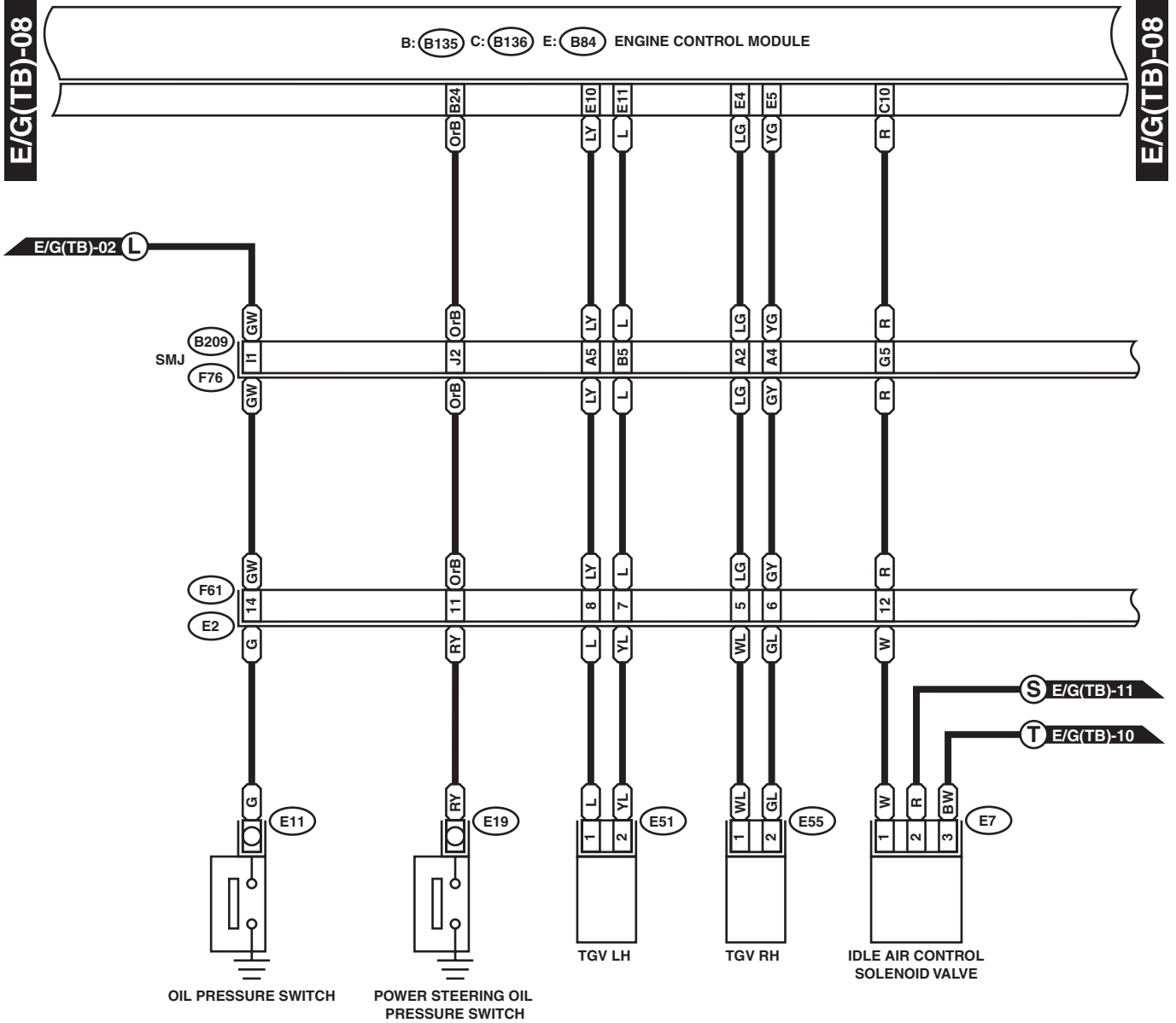
B: (B135)

1	2	3	4	5	6	7	8	9	
10	11	12	13	14	15	16	17	18	19
20	21	22	23	24	25	26	27	28	

WI-02179

# ENGINE ELECTRICAL SYSTEM

WIRING SYSTEM

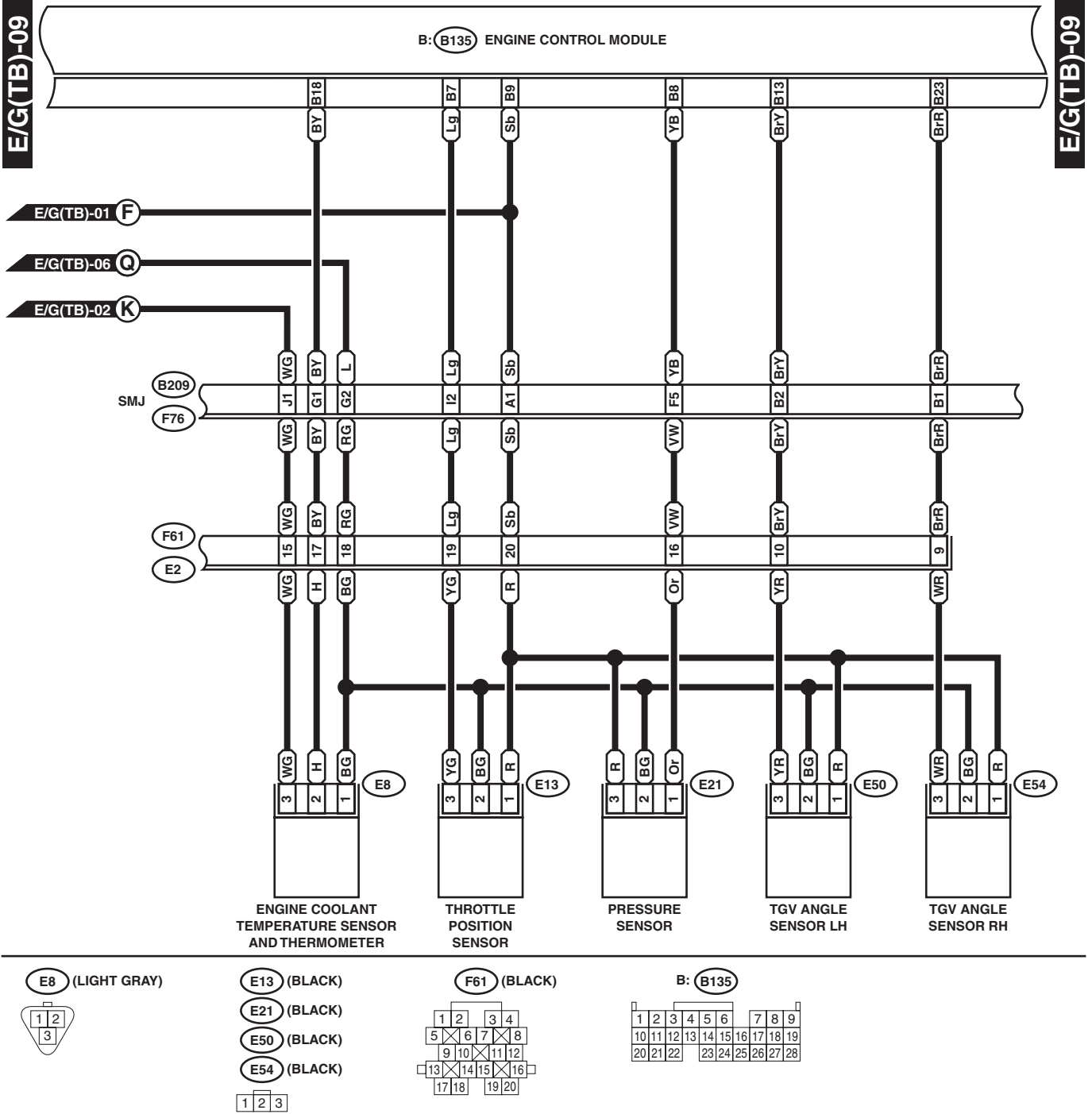


WI-02180



# ENGINE ELECTRICAL SYSTEM

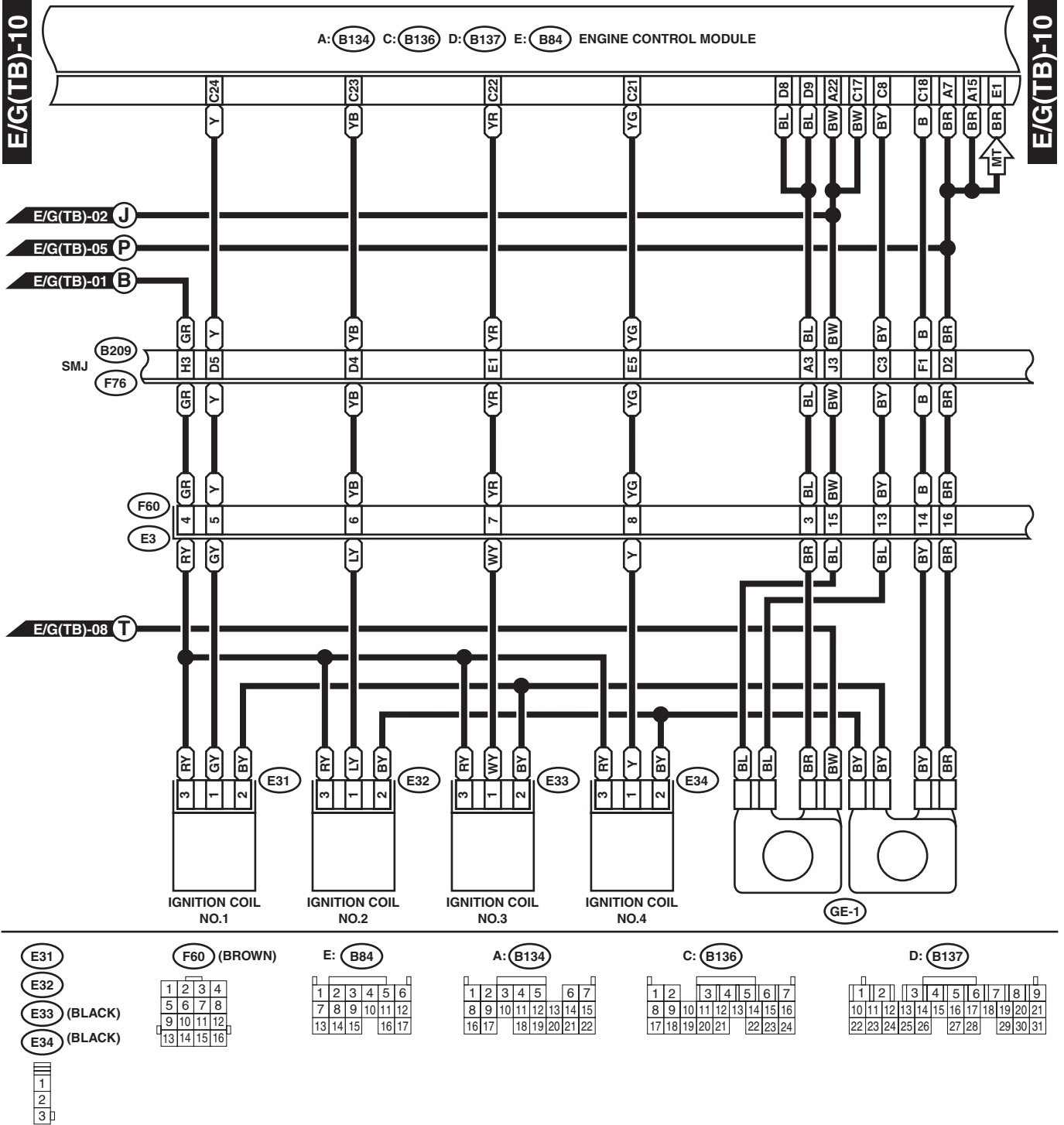
WIRING SYSTEM



WI-02181

# ENGINE ELECTRICAL SYSTEM

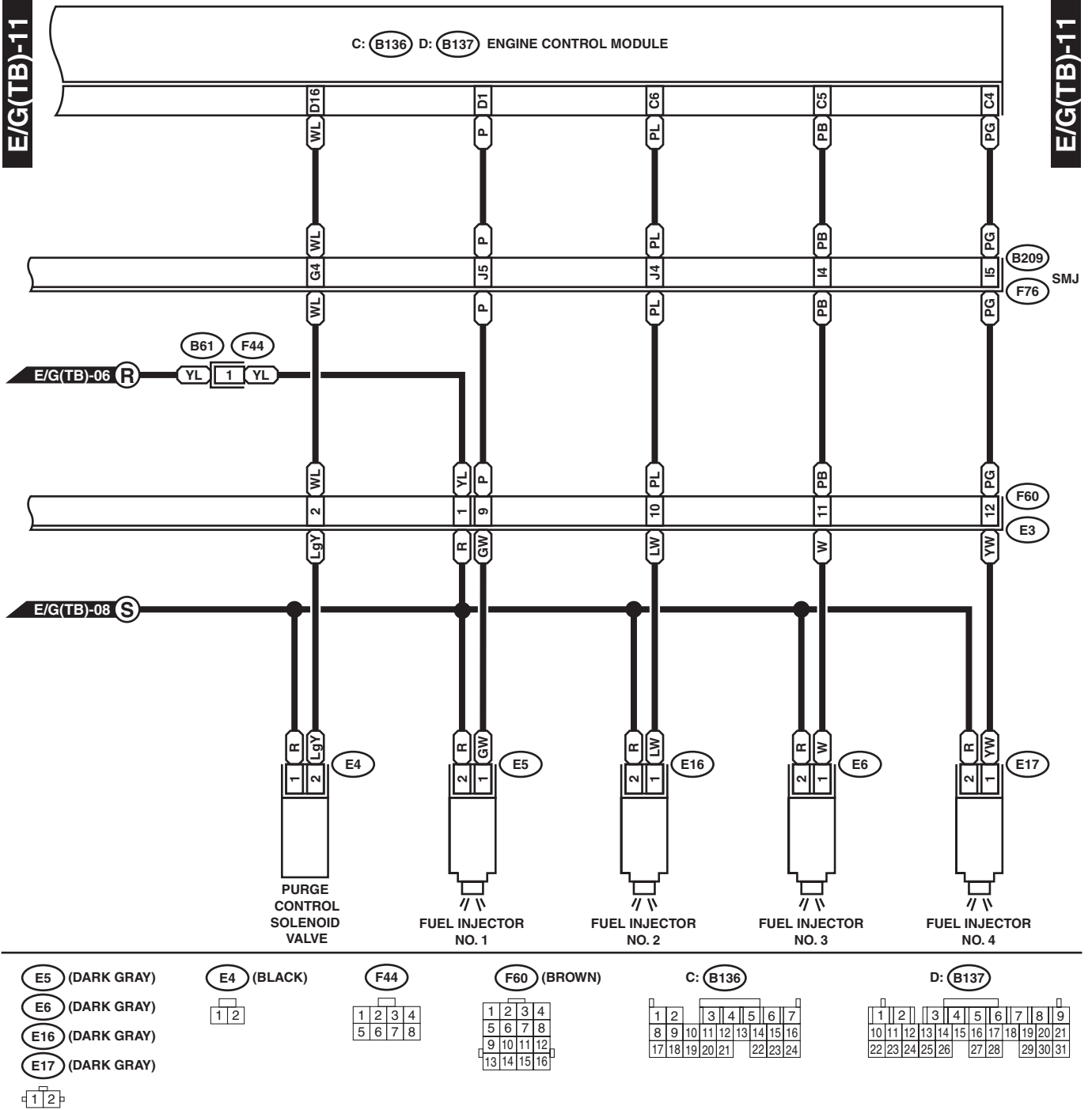
WIRING SYSTEM



WI-02182

# ENGINE ELECTRICAL SYSTEM

WIRING SYSTEM

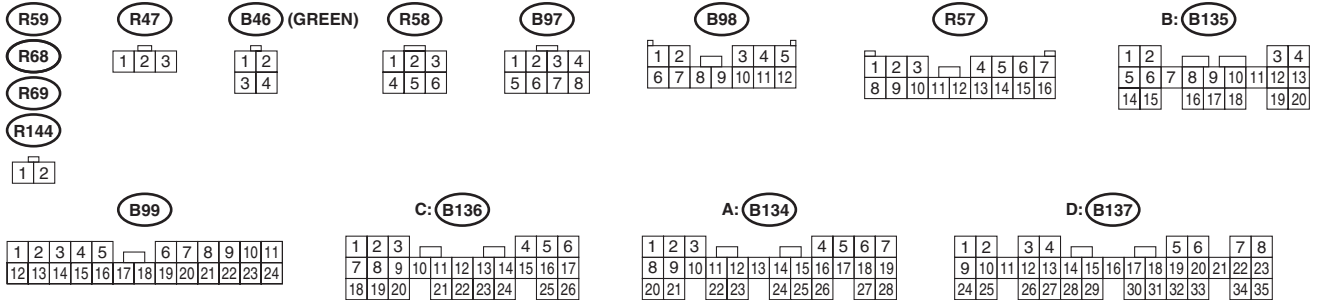
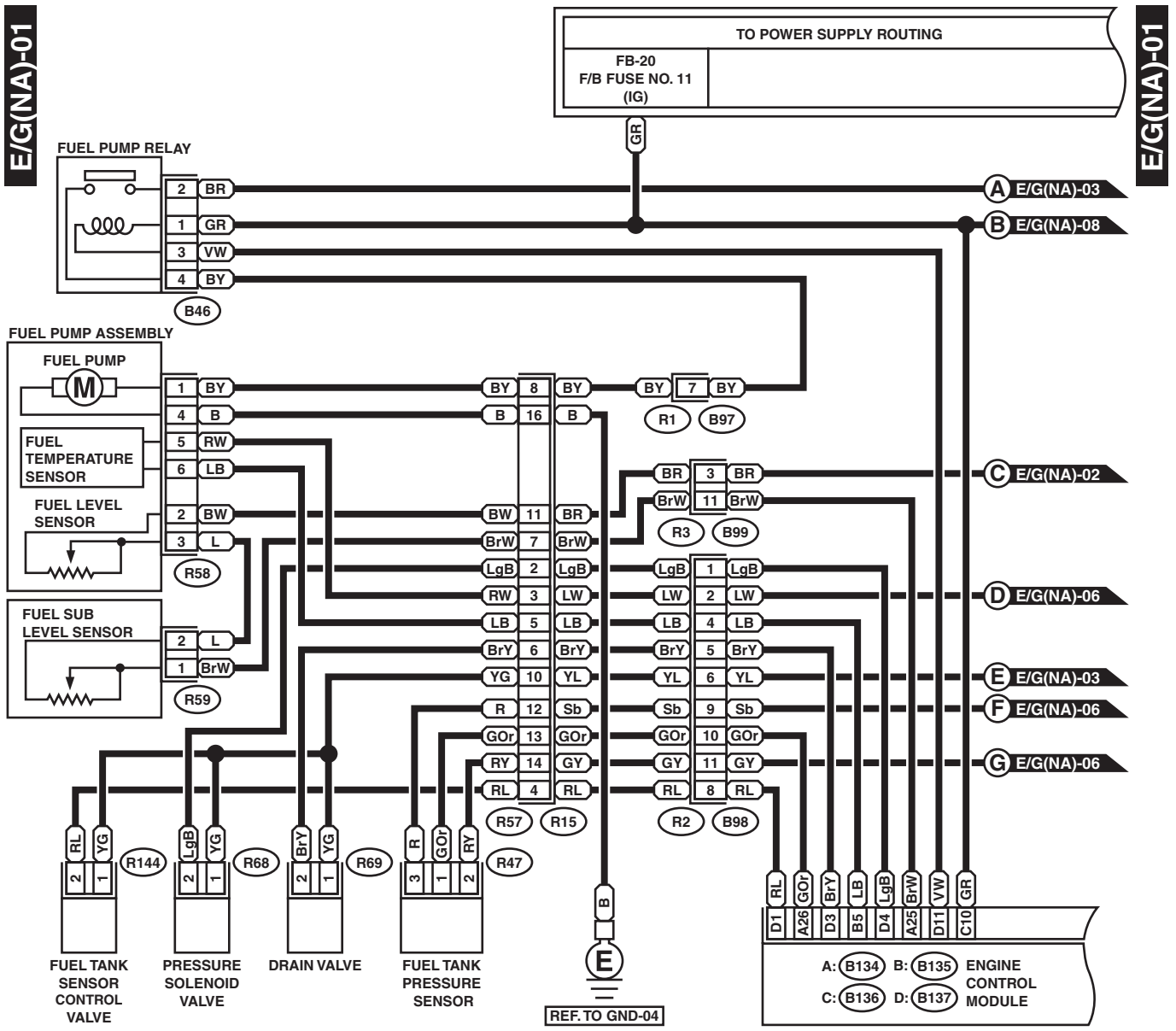


WI-02183

# ENGINE ELECTRICAL SYSTEM

WIRING SYSTEM

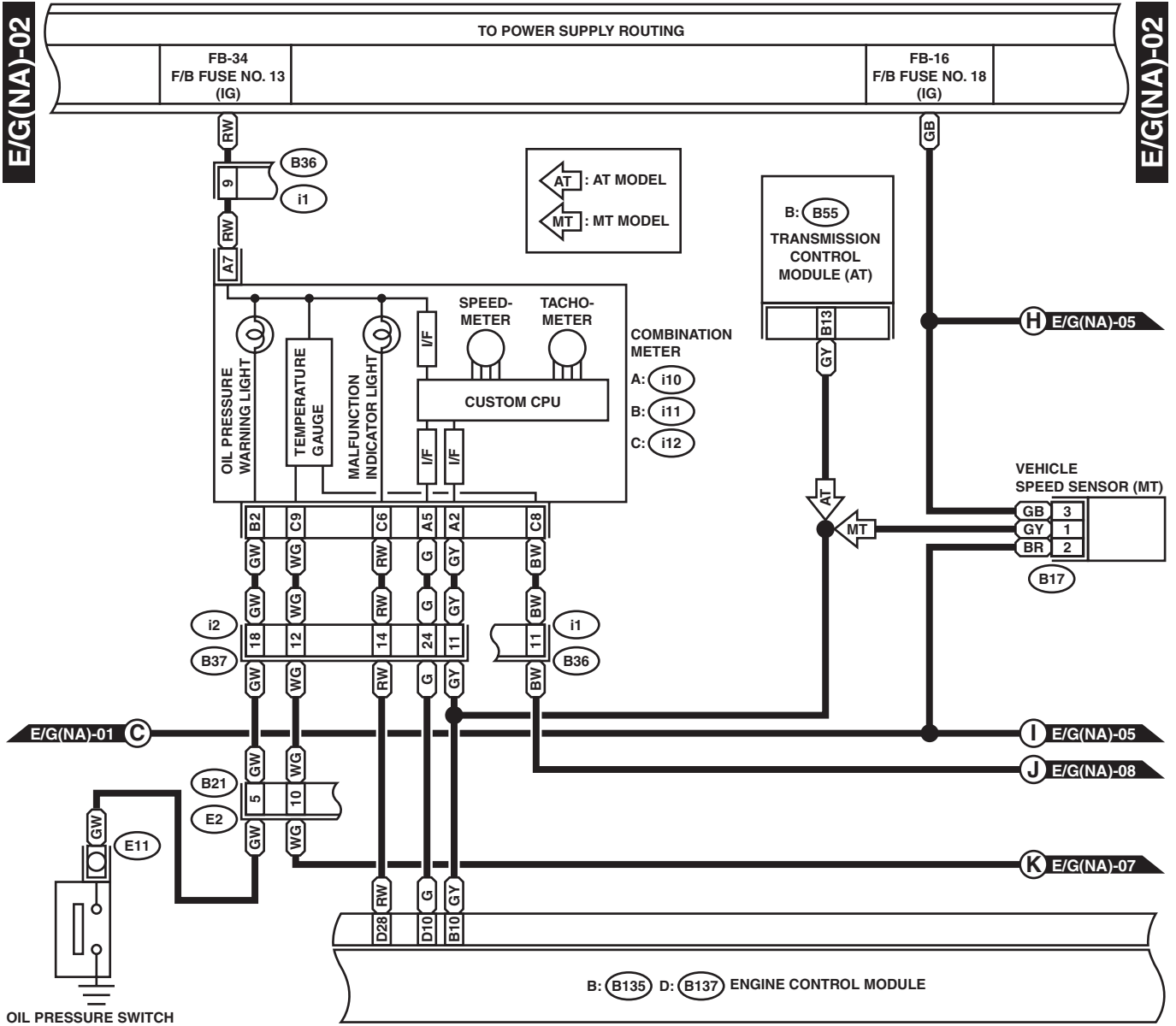
## 2. NON-TURBO ENGINE MODEL



WI-01133

# ENGINE ELECTRICAL SYSTEM

## WIRING SYSTEM



**B17**

1	2	3
---	---	---

A: i10 (GREEN)

1	2	3	4	5	6	7	8	9	10
---	---	---	---	---	---	---	---	---	----

C: i12 (GREEN)

1	2	3	4	5	6
7	8	9	10	11	12
13	14	15	16	17	18

**B21** (GRAY)

1	2	3	4
5	6	7	8
9	10	11	12
13	14	15	16
17	18	19	20

**B: B135**

1	2	3	4
5	6	7	8
9	10	11	12
13	14	15	16
17	18	19	20

i1

1	2	3	4	5	6	7	8	9
10	11	12	13	14	15	16	17	18
19	20	21	22	23	24	25	26	27
28	29	30	31	32	33	34	35	

**B: B55** (GRAY)

1	2	3	4	5	6	7	8	9
10	11	12	13	14	15	16	17	18
19	20	21	22	23	24	25	26	27
28	29	30	31	32	33	34	35	

i2 (BROWN)

1	2	3	4	5	6	7	8	9	10	11
12	13	14	15	16	17	18	19	20	21	22
23	24	25	26	27	28	29	30	31	32	33

**B: i11** (GREEN)

1	2	3	4	5	6	7	8	9	10	11	12	13	14
15	16	17	18	19	20	21	22	23	24	25	26	27	28
29	30	31	32	33	34	35	36	37	38	39	40	41	42

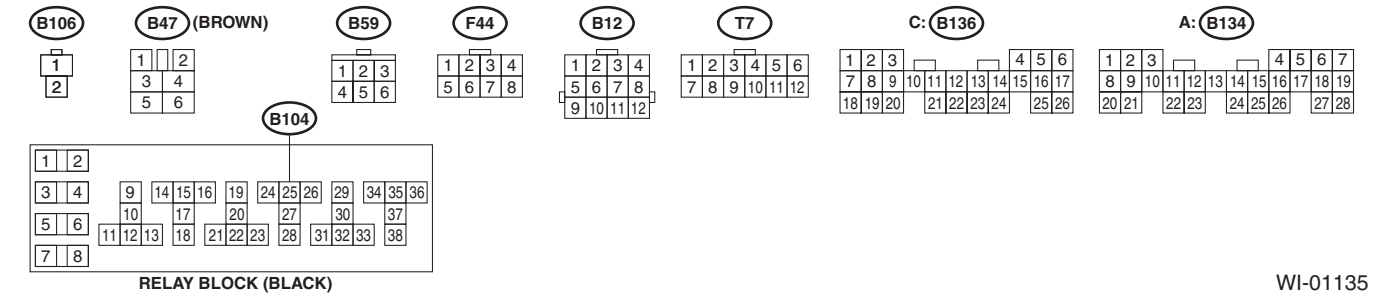
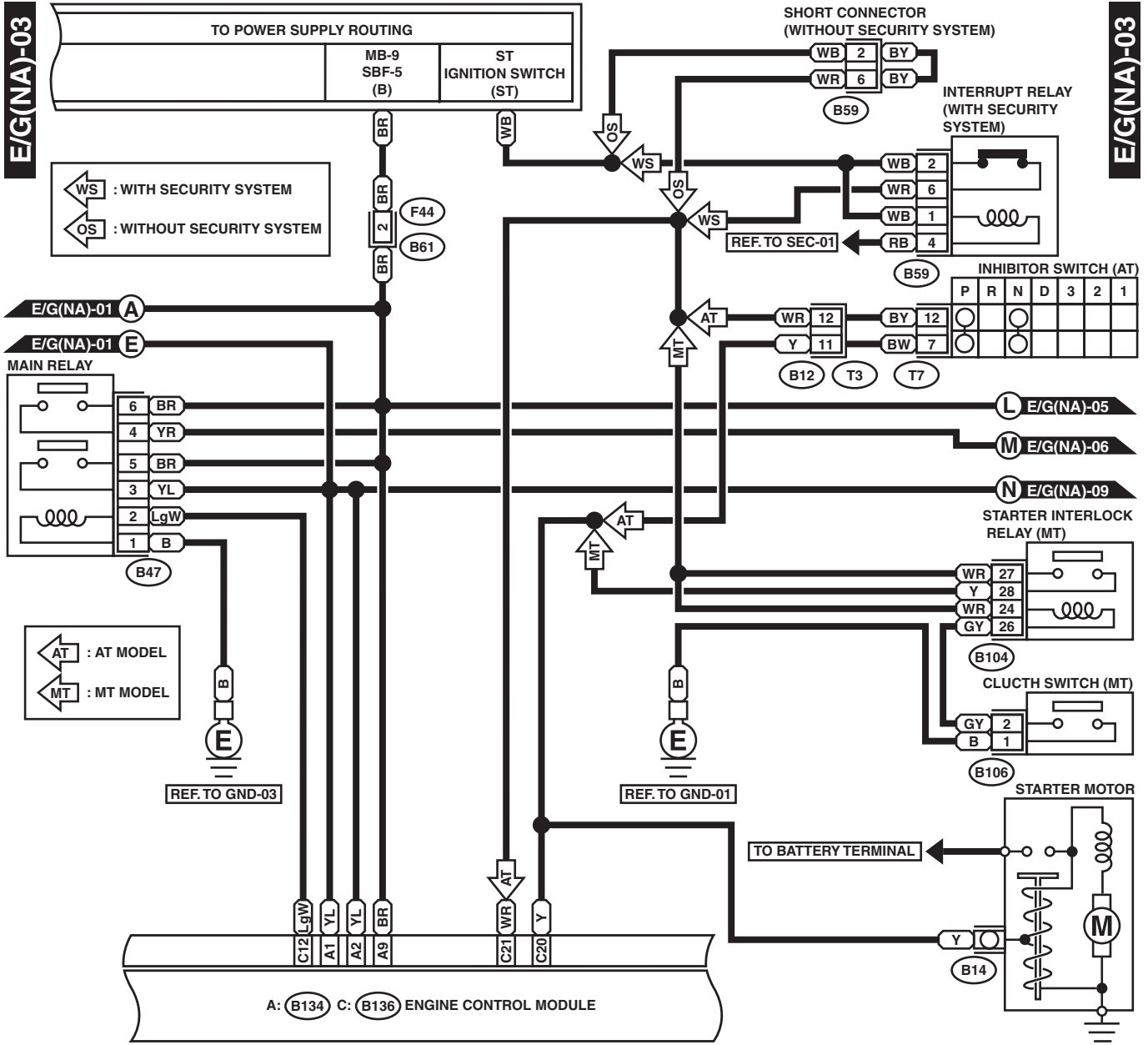
**D: B137**

1	2	3	4	5	6	7	8
9	10	11	12	13	14	15	16
17	18	19	20	21	22	23	24
25	26	27	28	29	30	31	32
33	34	35	36	37	38	39	40

WI-01134

# ENGINE ELECTRICAL SYSTEM

WIRING SYSTEM



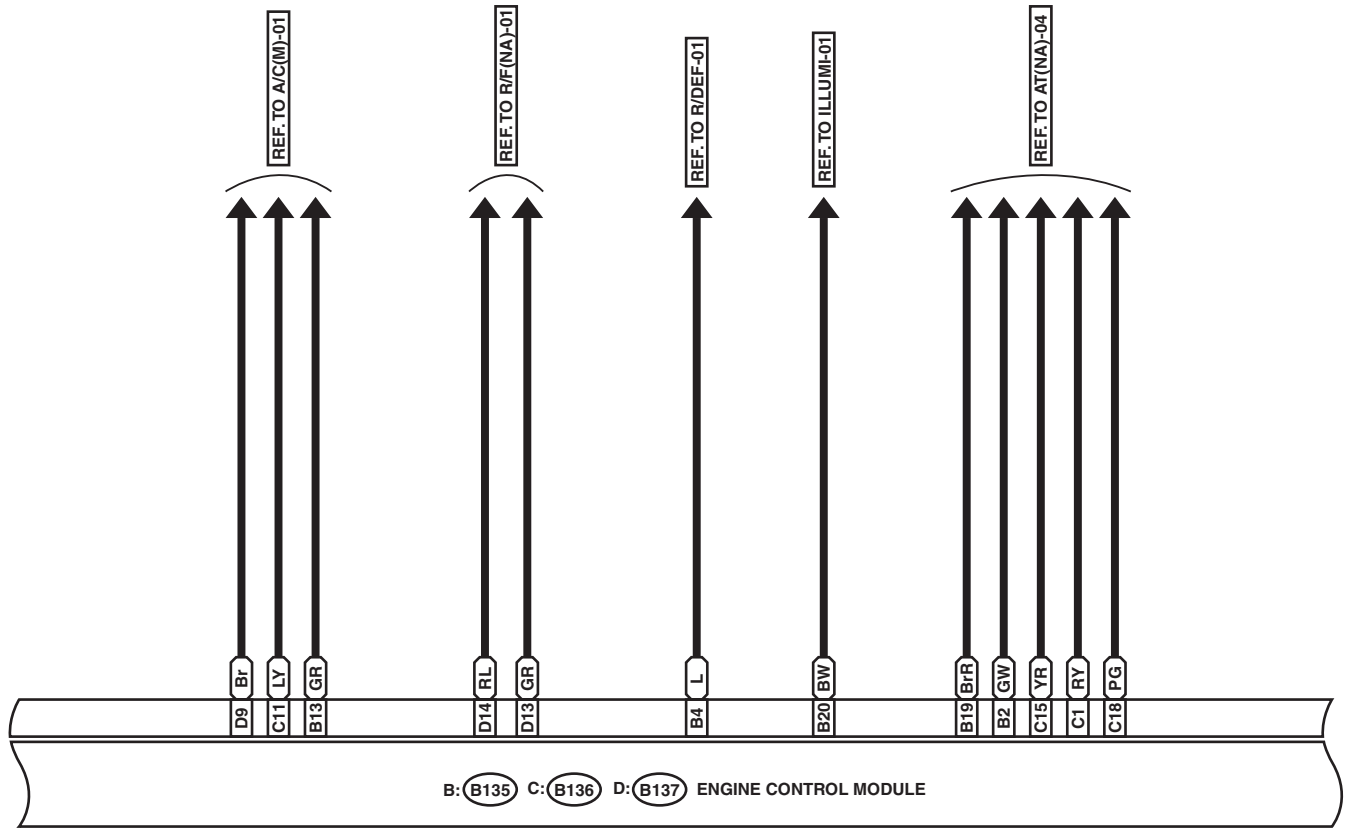
WI-01135

# ENGINE ELECTRICAL SYSTEM

WIRING SYSTEM

E/G(NA)-04

E/G(NA)-04



B: (B135)

1	2			3	4			
5	6	7	8	9	10	11	12	13
14	15	16	17	18	19	20		

C: (B136)

1	2	3			4	5	6			
7	8	9	10	11	12	13	14	15	16	17
18	19	20	21	22	23	24	25	26		

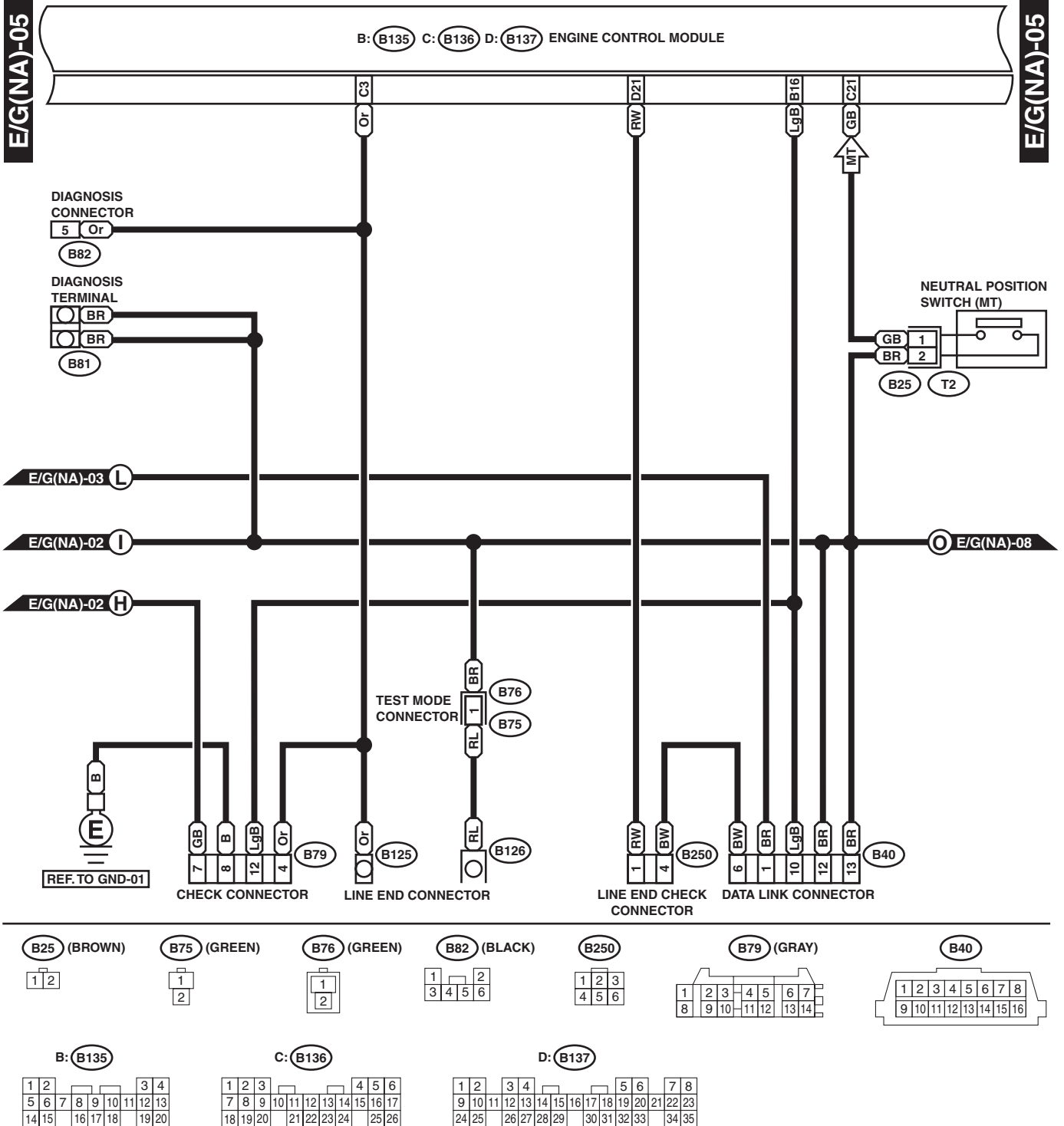
D: (B137)

1	2		3	4			5	6		7	8			
9	10	11	12	13	14	15	16	17	18	19	20	21	22	23
24	25	26	27	28	29	30	31	32	33	34	35			

WI-01136

# ENGINE ELECTRICAL SYSTEM

WIRING SYSTEM

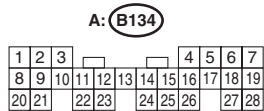
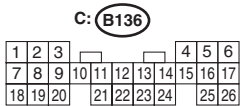
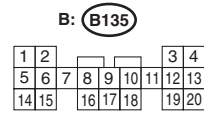
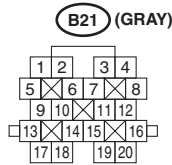
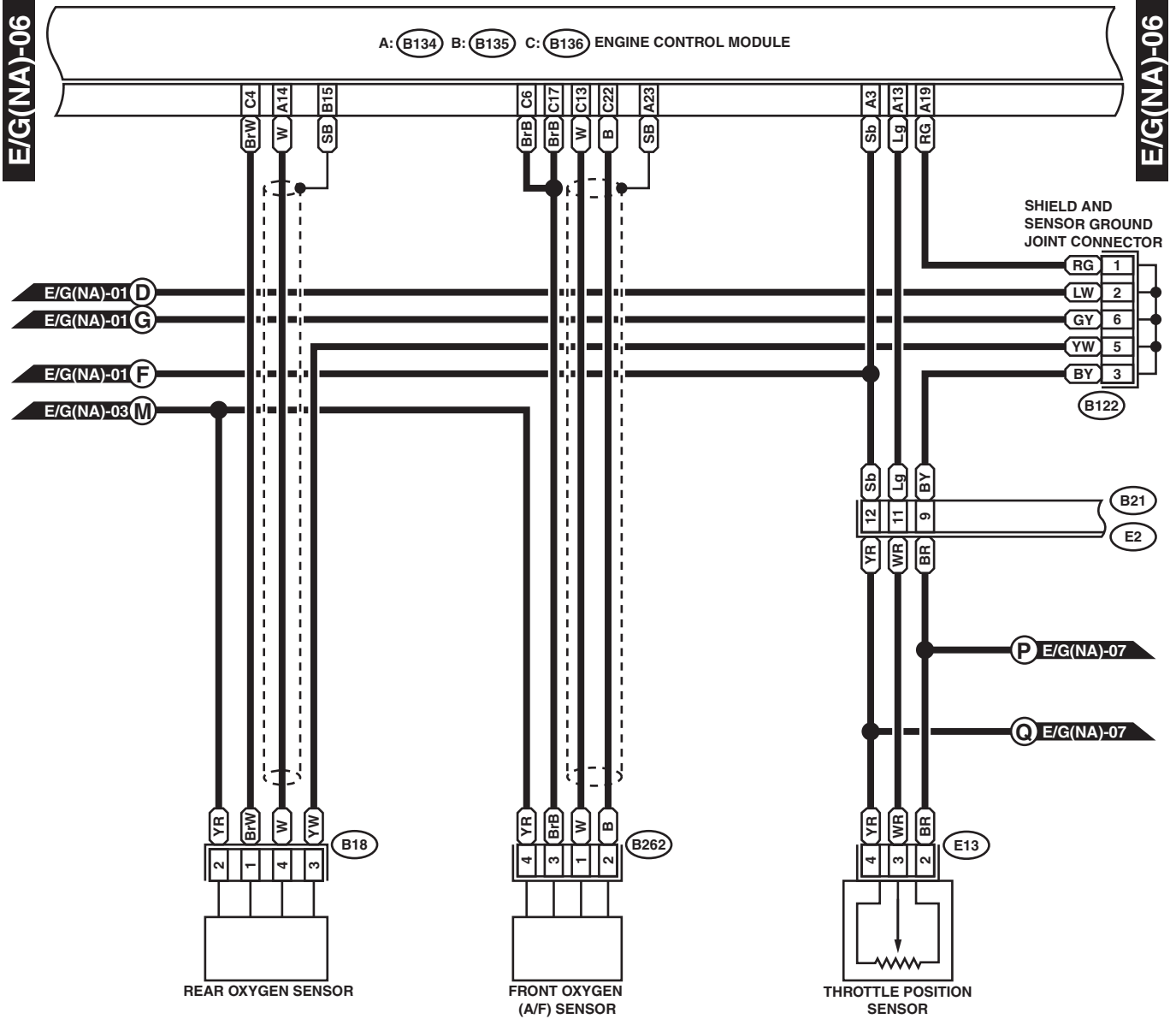


WI-01137



# ENGINE ELECTRICAL SYSTEM

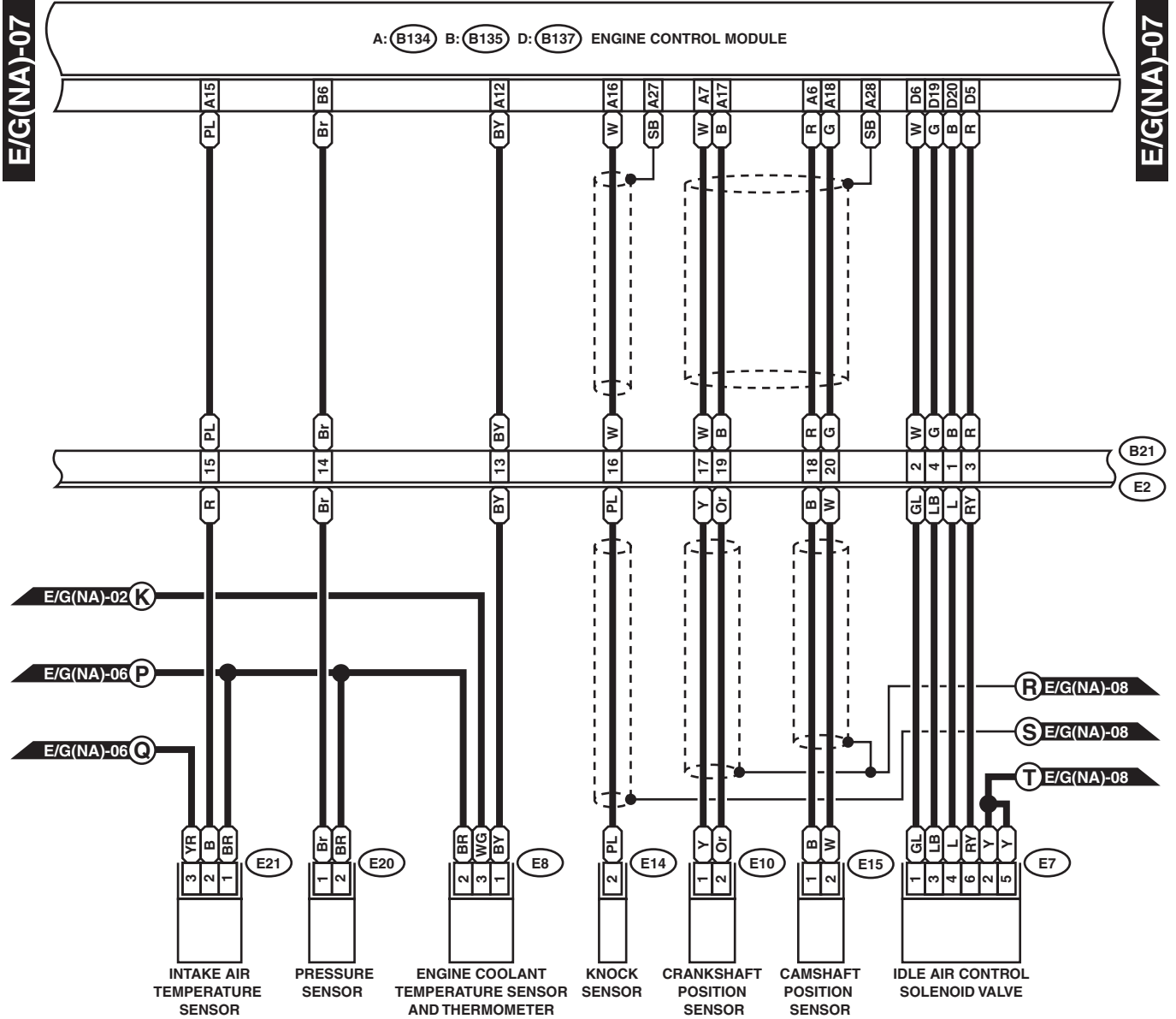
WIRING SYSTEM



WI-01138

# ENGINE ELECTRICAL SYSTEM

WIRING SYSTEM



E10 (LIGHT GRAY)

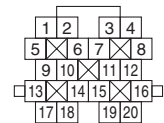
E8 (LIGHT GRAY)

E21 (LIGHT GRAY)

E7 (BLACK)

B21 (GRAY)

E14 (LIGHT GRAY)

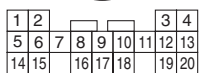


E15 (GRAY)

E20 (BLACK)



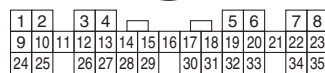
B: B135



A: B134



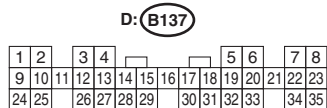
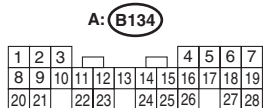
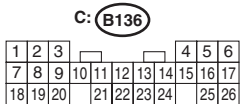
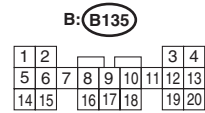
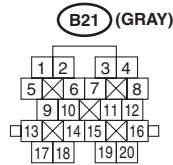
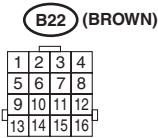
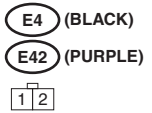
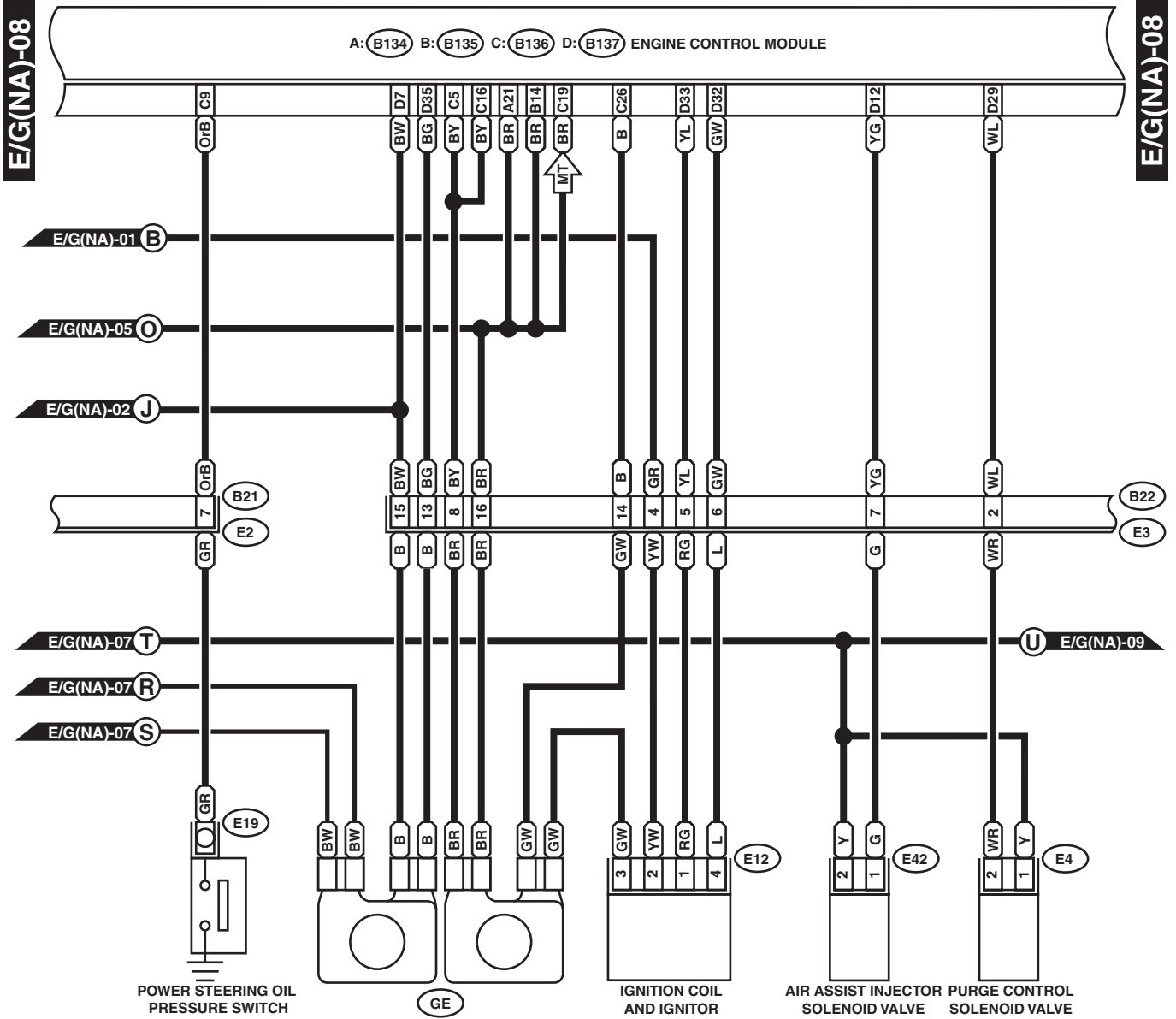
D: B137



WI-01139

# ENGINE ELECTRICAL SYSTEM

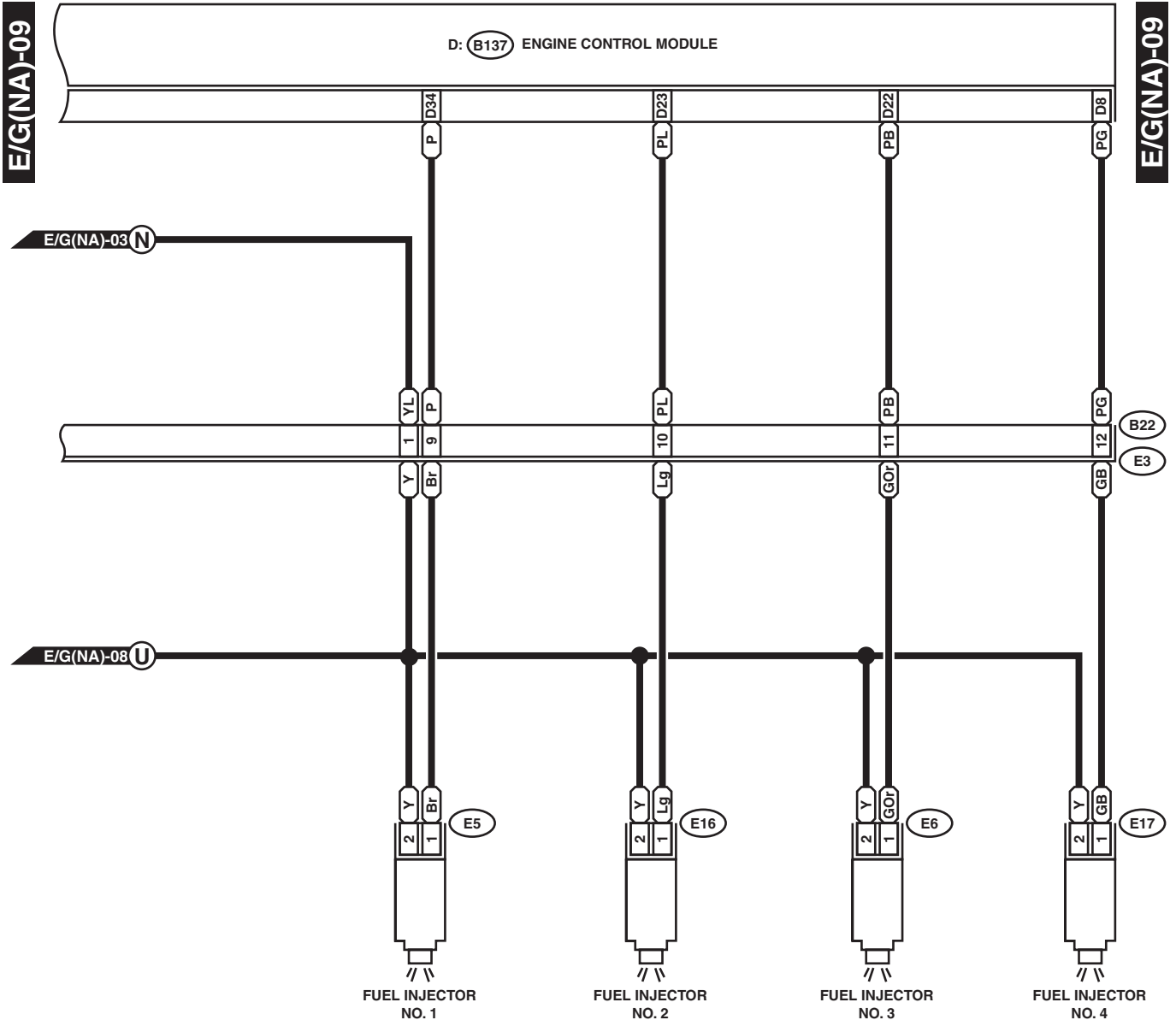
WIRING SYSTEM



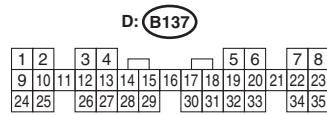
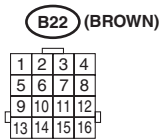
WI-01140

# ENGINE ELECTRICAL SYSTEM

WIRING SYSTEM



- E5** (LIGHT GRAY)
- E6** (LIGHT GRAY)
- E16** (LIGHT GRAY)
- E17** (LIGHT GRAY)



WI-01141