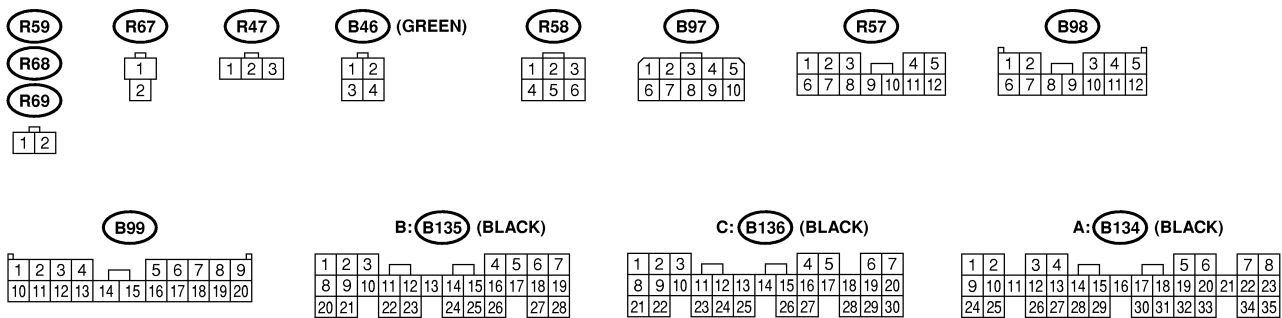
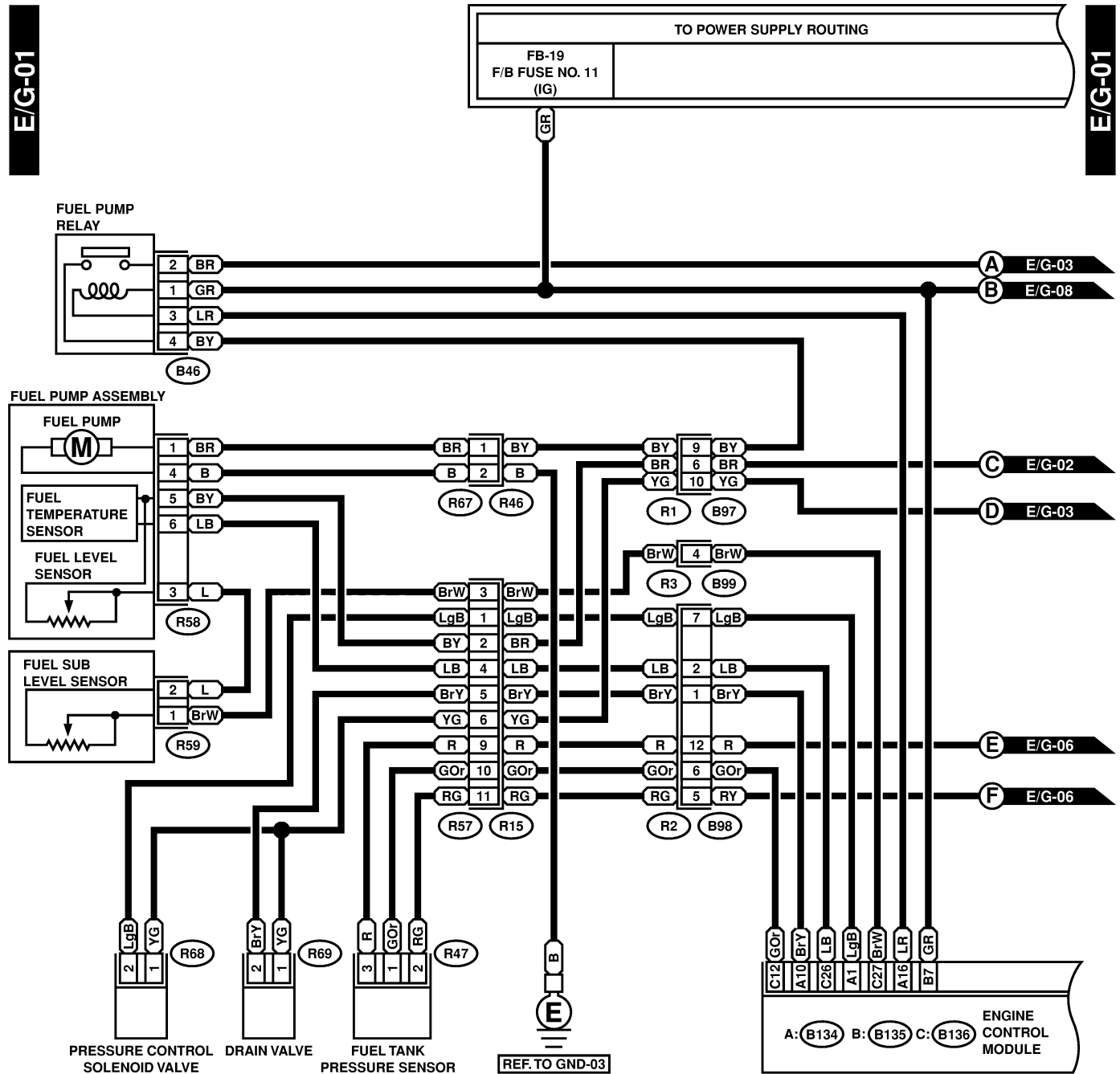


# ENGINE ELECTRICAL SYSTEM

Wiring System

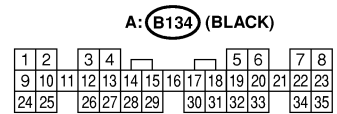
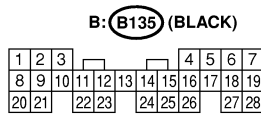
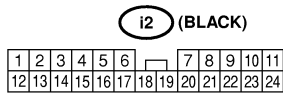
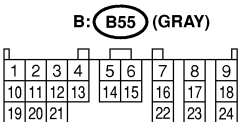
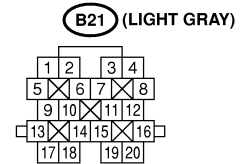
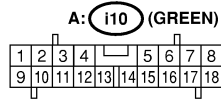
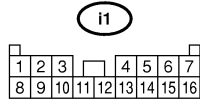
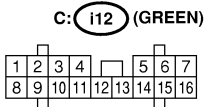
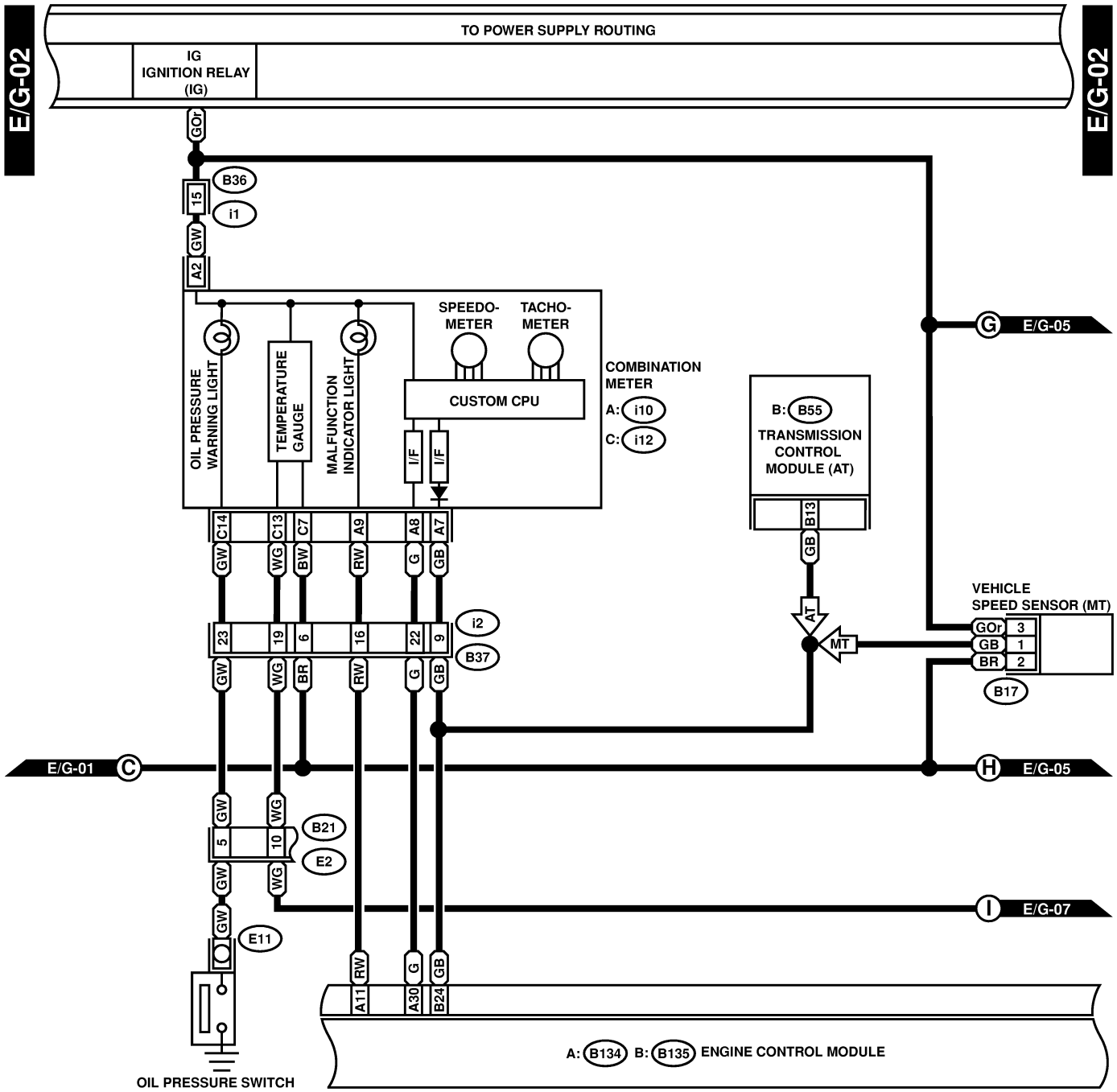
## 19. Engine Electrical System S903482

### A: SCHEMATIC S903482A21



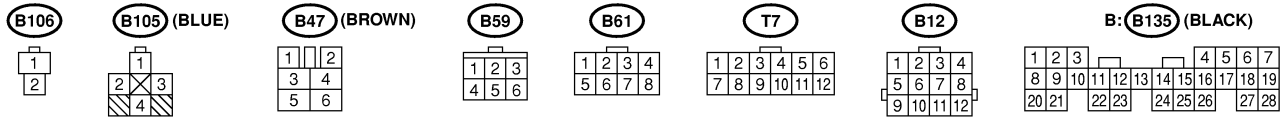
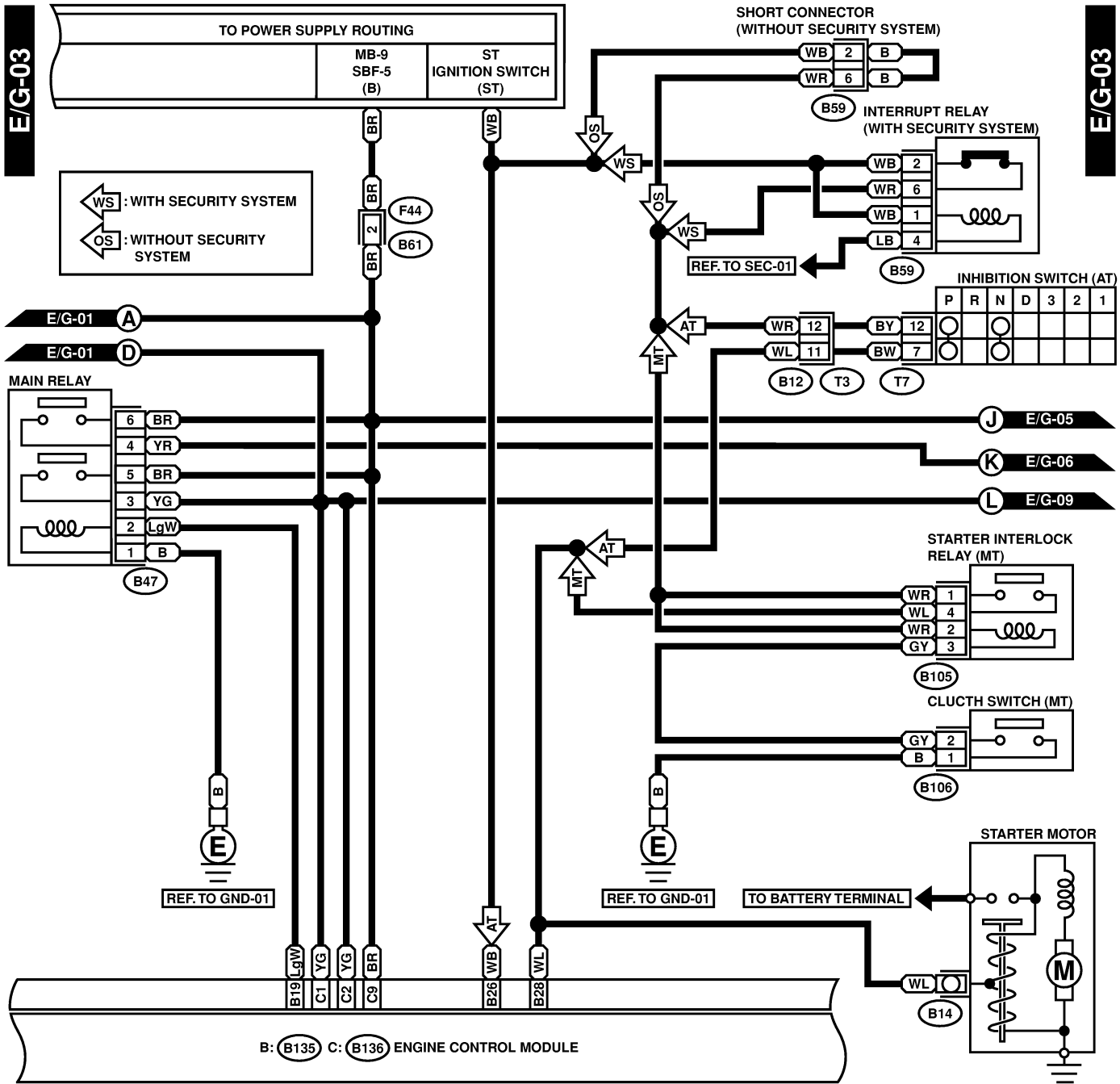
# ENGINE ELECTRICAL SYSTEM

Wiring System

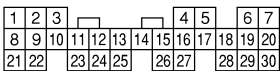


# ENGINE ELECTRICAL SYSTEM

Wiring System

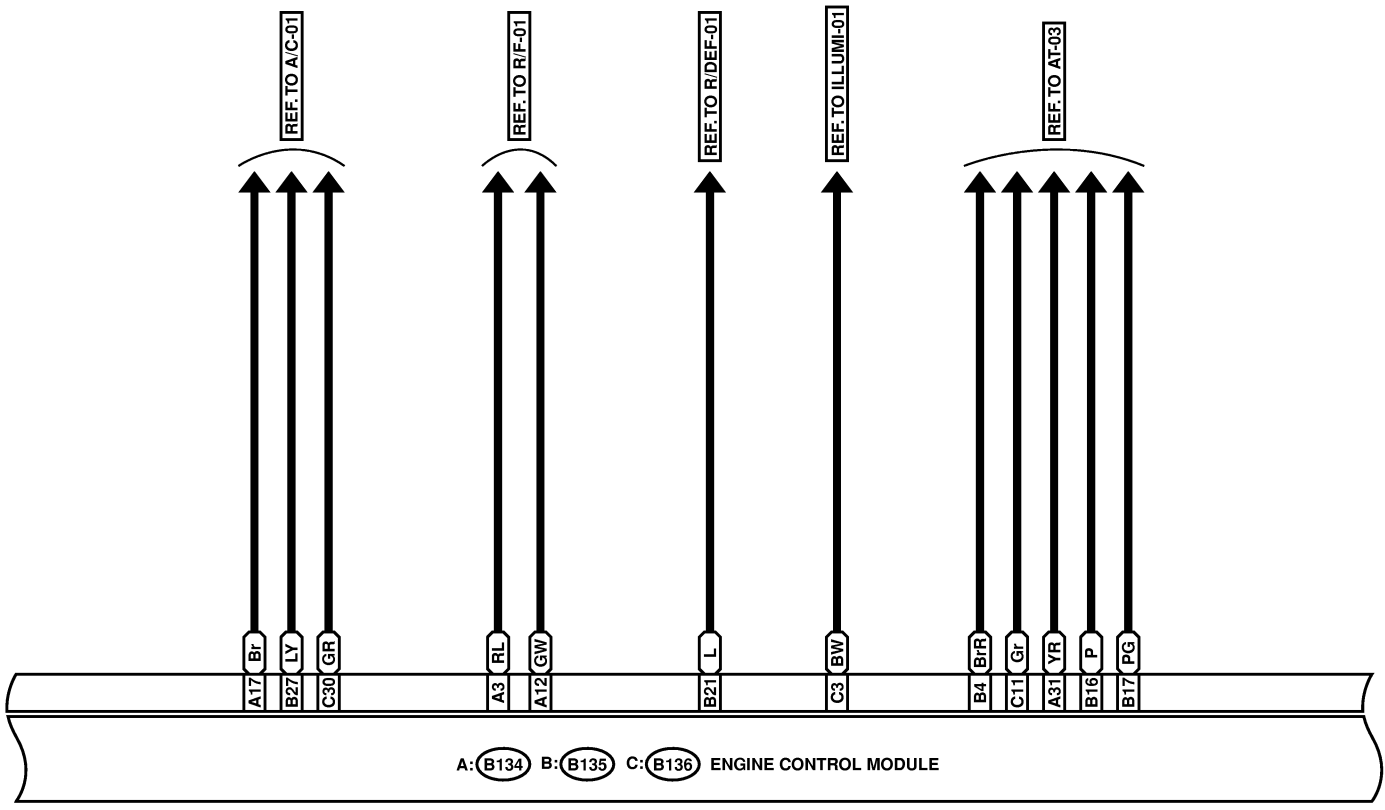


C: B136 (BLACK)



E/G-04

E/G-04



B: **B135** (BLACK)

1	2	3		4	5	6	7				
8	9	10	11	12	13	14	15	16	17	18	19
20	21	22	23	24	25	26	27	28			

C: **B136** (BLACK)

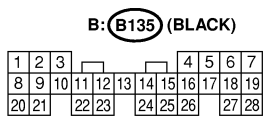
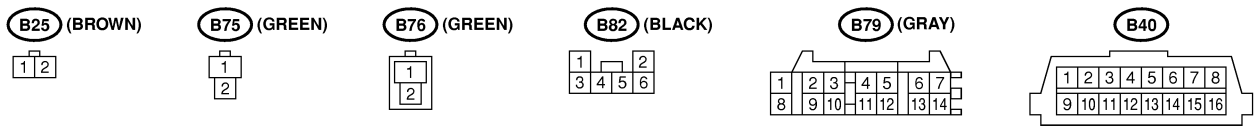
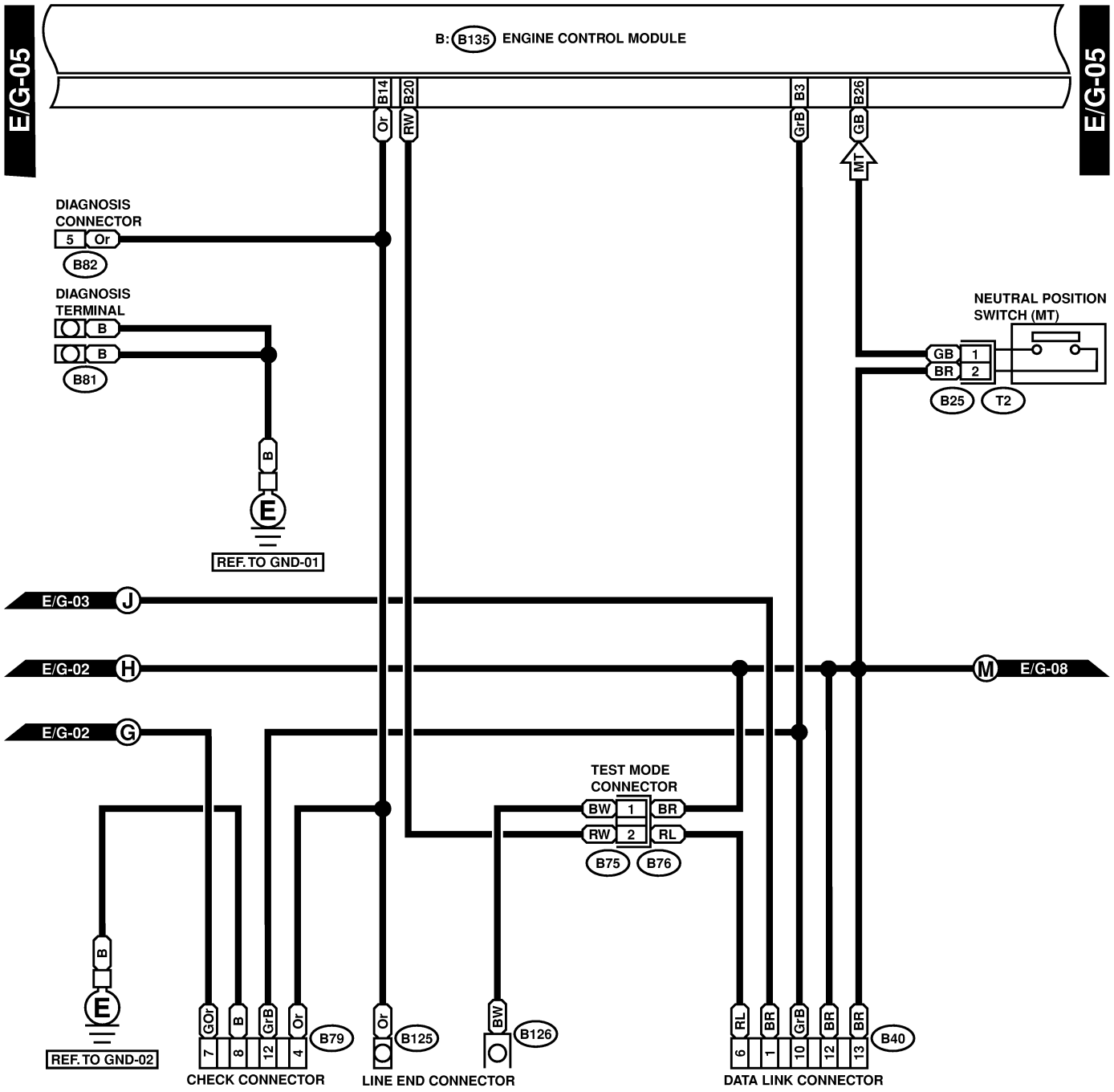
1	2	3		4	5	6	7					
8	9	10	11	12	13	14	15	16	17	18	19	20
21	22	23	24	25	26	27	28	29	30			

A: **B134** (BLACK)

1	2		3	4		5	6		7	8				
9	10	11	12	13	14	15	16	17	18	19	20	21	22	23
24	25	26	27	28	29	30	31	32	33	34	35			

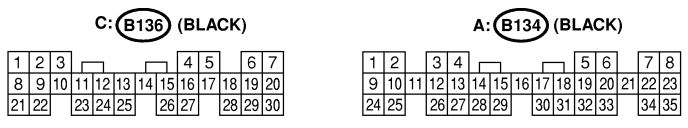
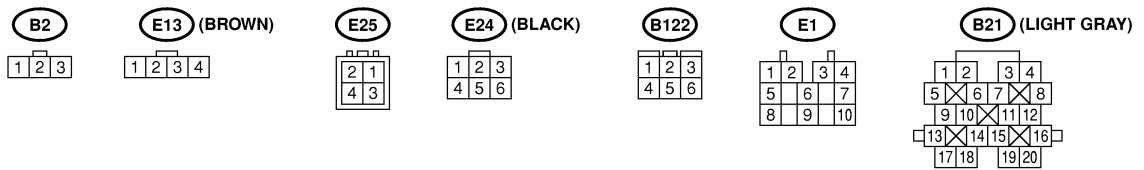
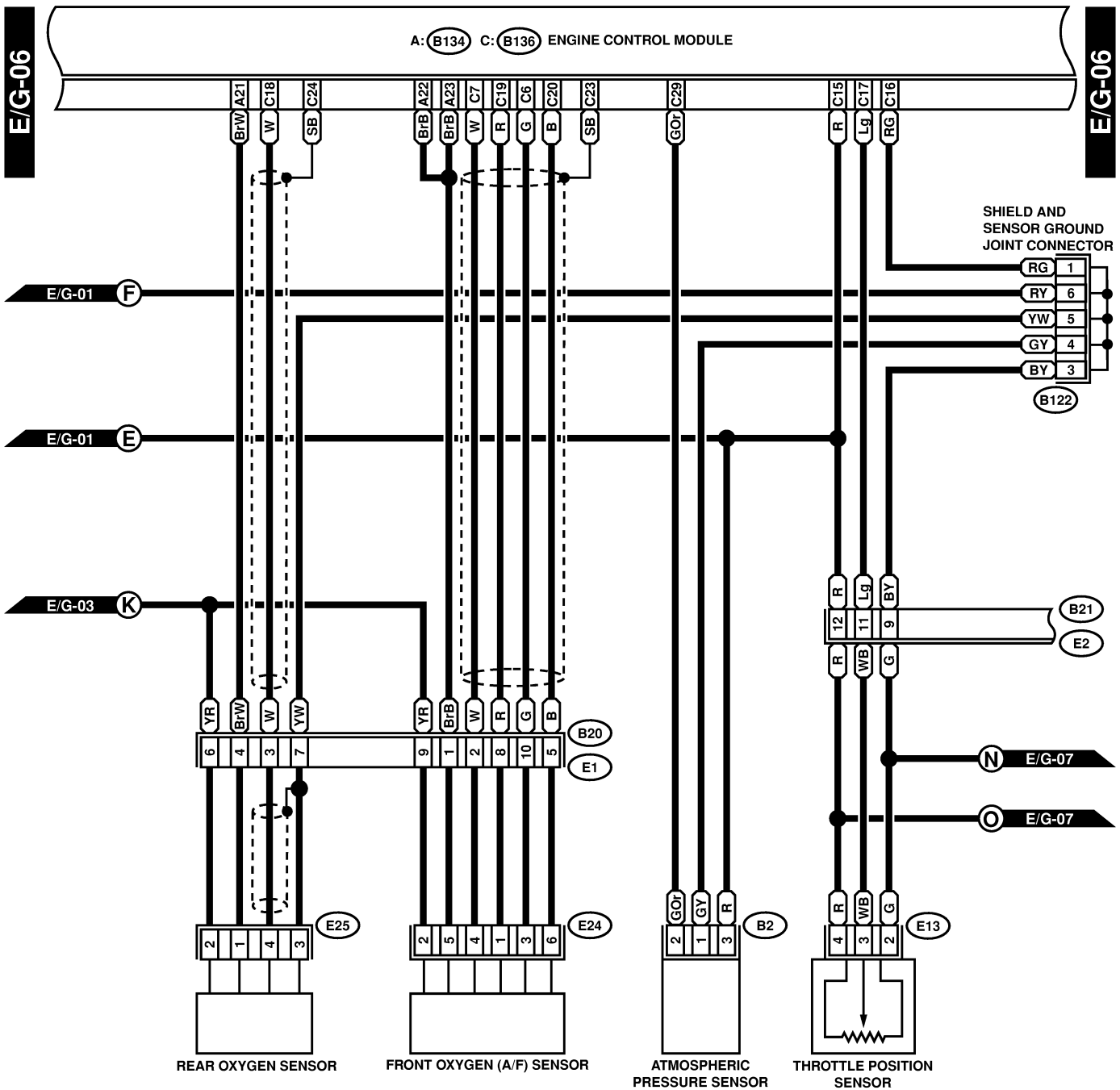
# ENGINE ELECTRICAL SYSTEM

Wiring System



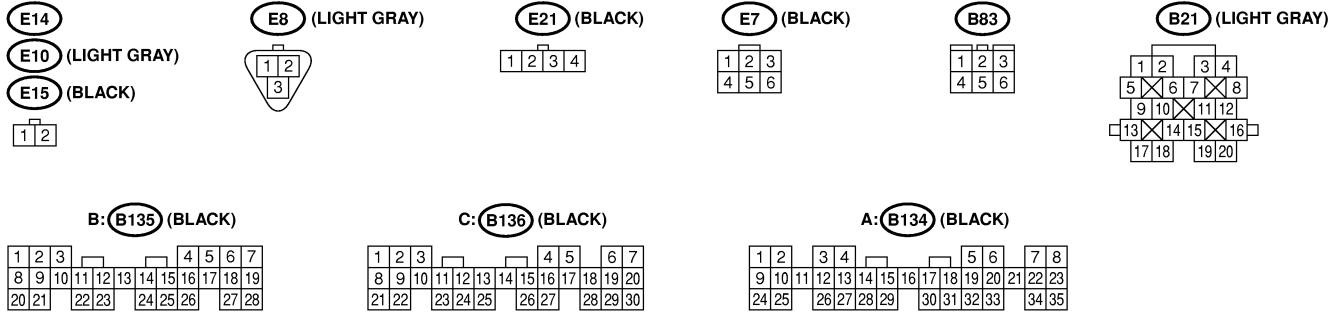
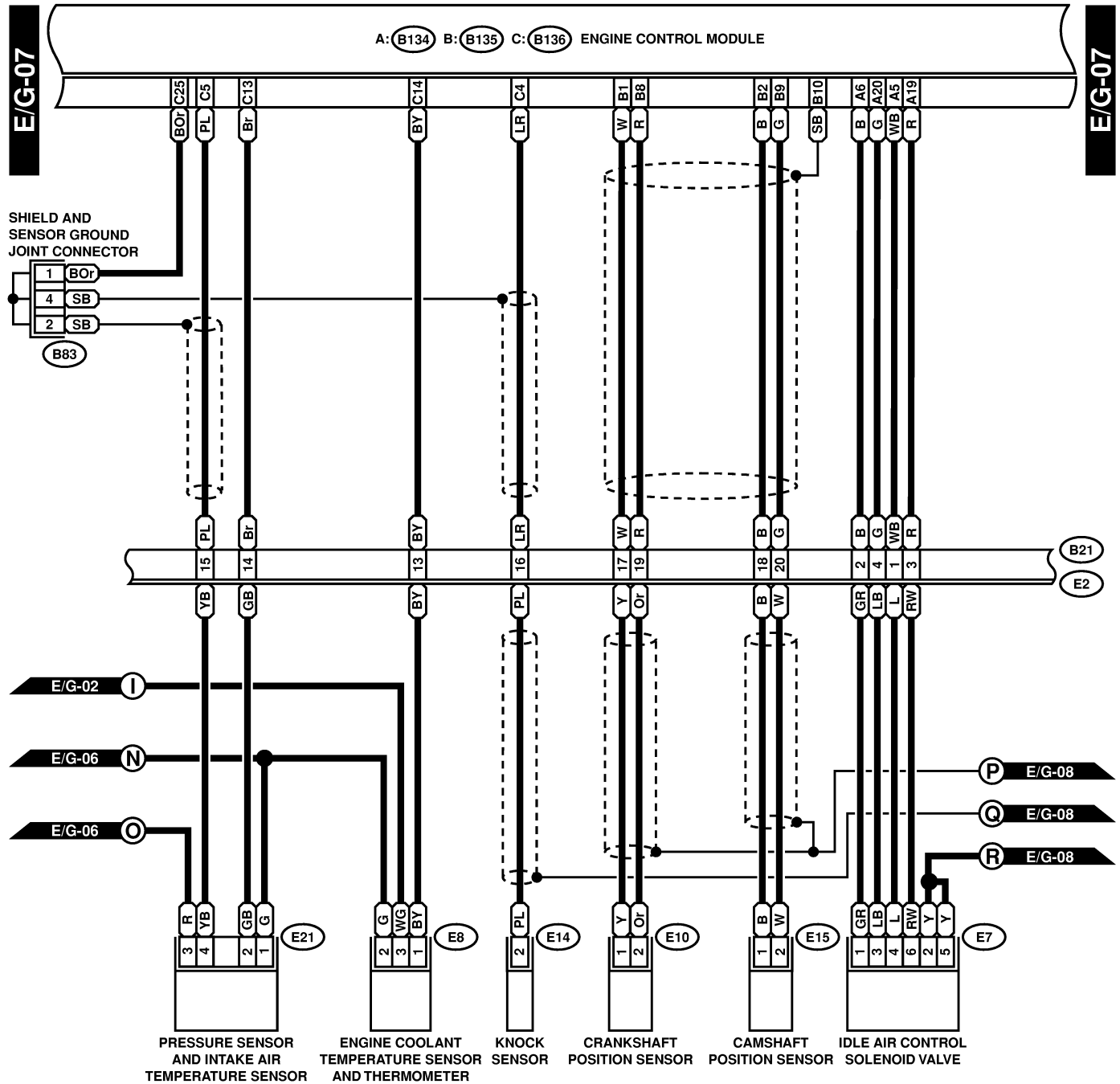
# ENGINE ELECTRICAL SYSTEM

Wiring System



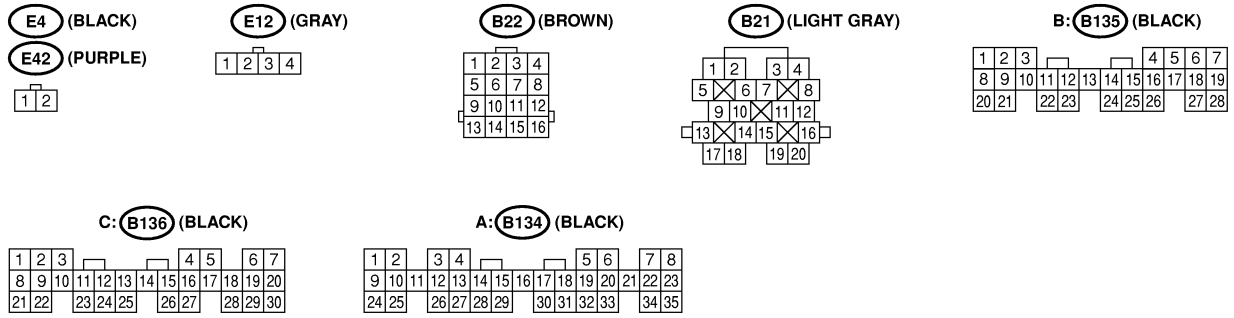
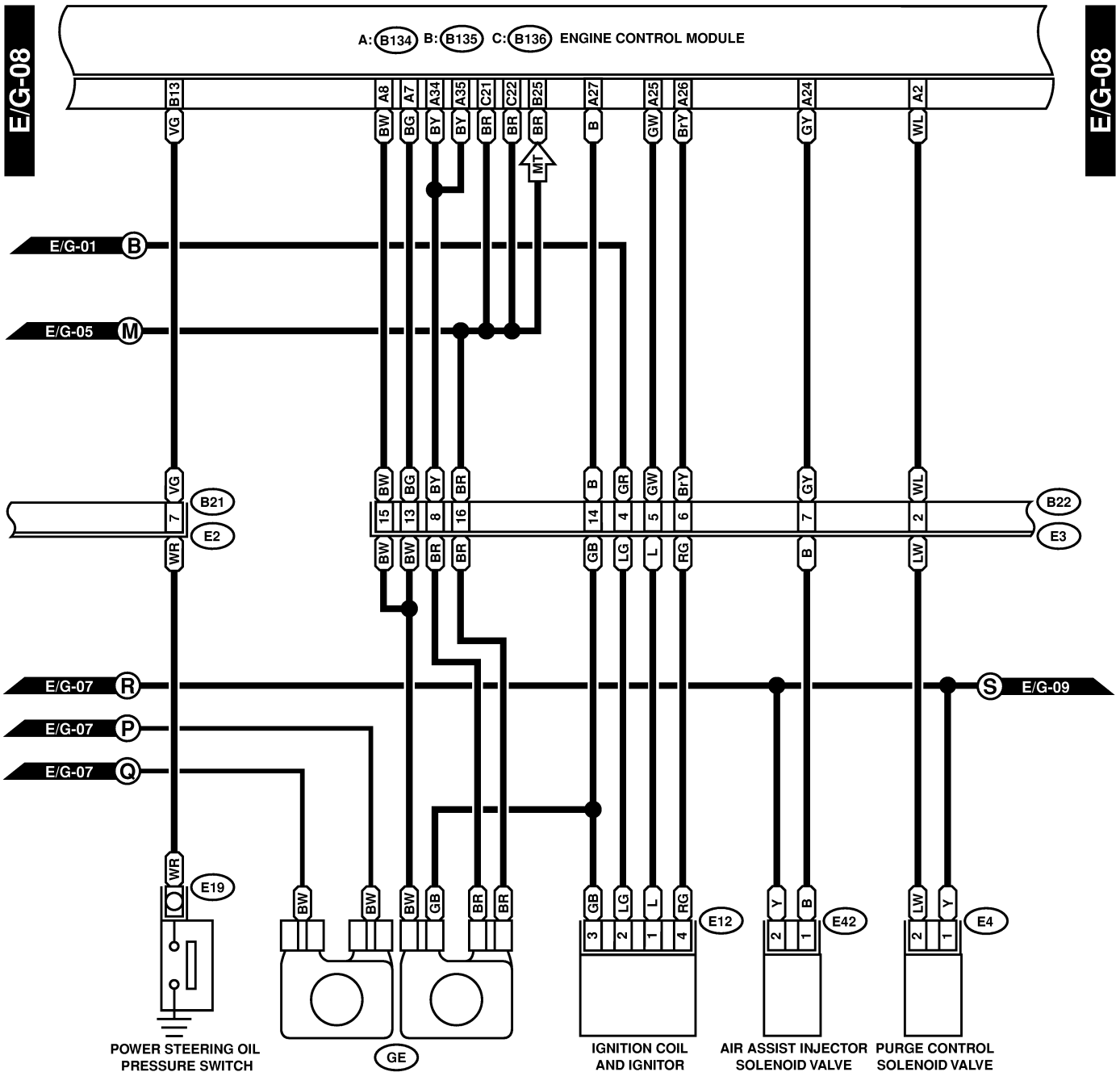
# ENGINE ELECTRICAL SYSTEM

Wiring System



# ENGINE ELECTRICAL SYSTEM

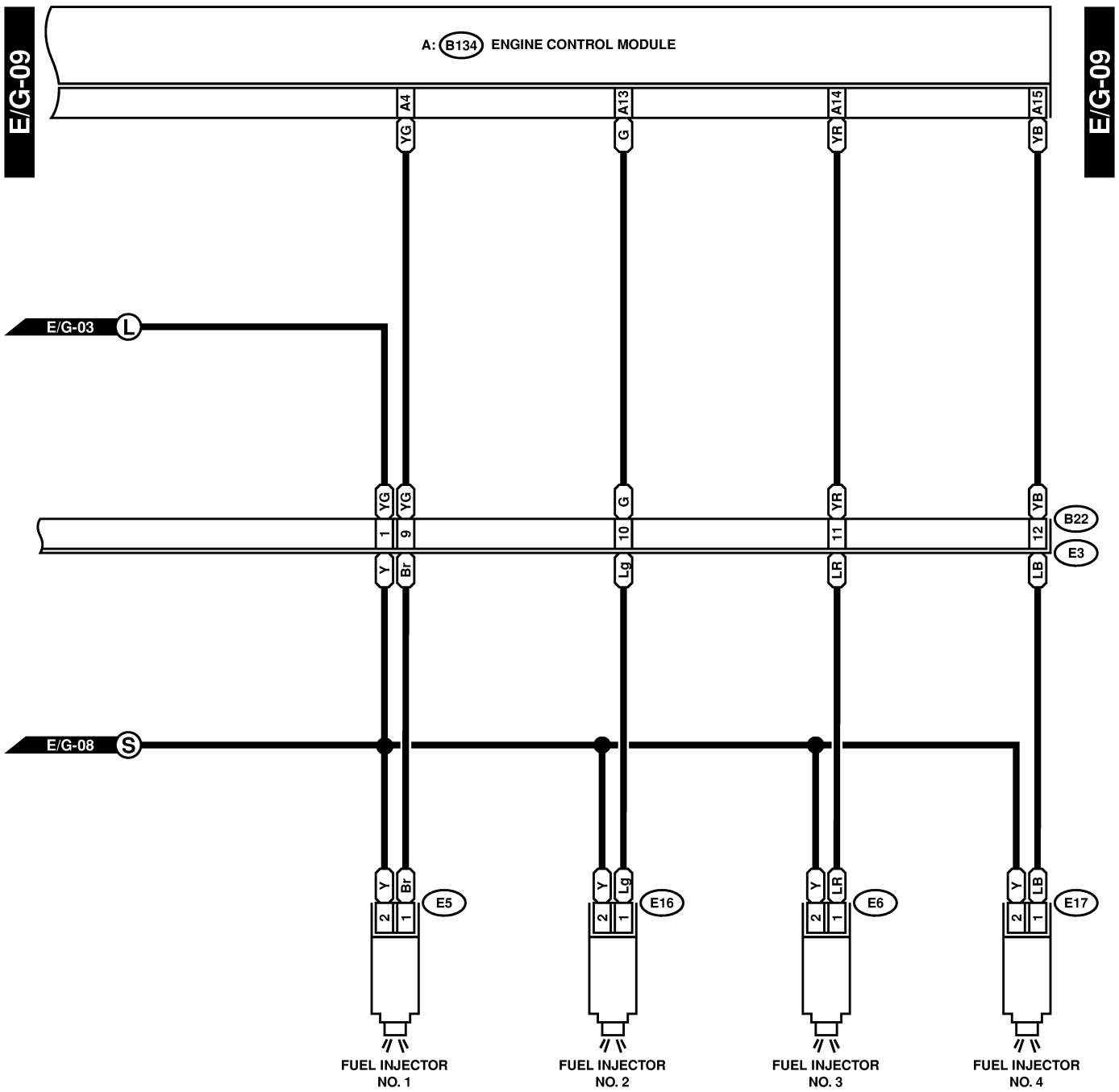
Wiring System





# ENGINE ELECTRICAL SYSTEM

Wiring System



**E5** (LIGHT GRAY)

**E6** (LIGHT GRAY)

**E16** (LIGHT GRAY)

**E17** (LIGHT GRAY)



**B22** (BROWN)



**A: (B134)** (BLACK)

