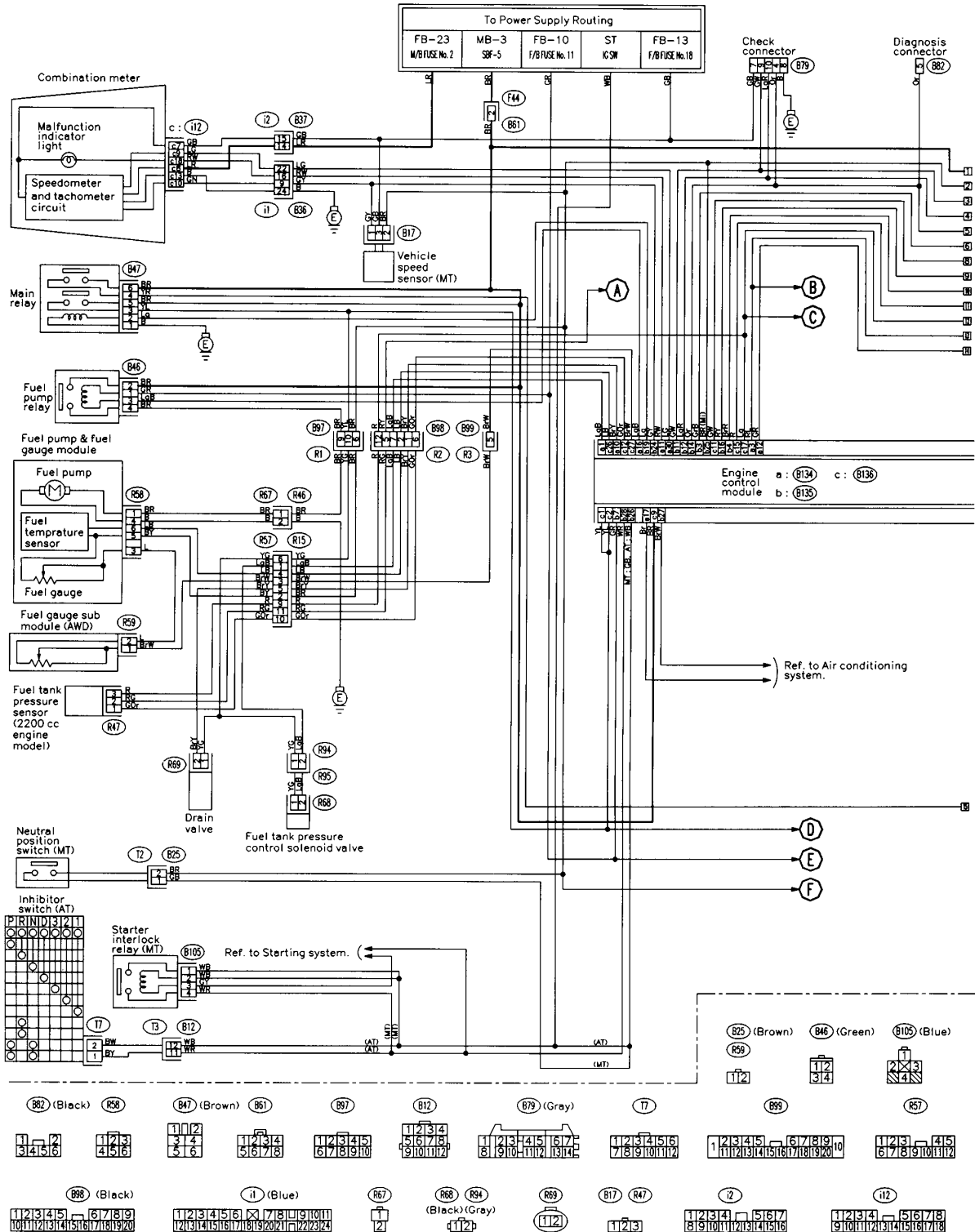


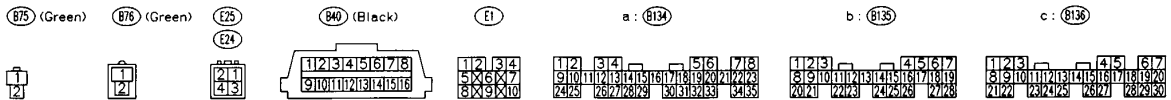
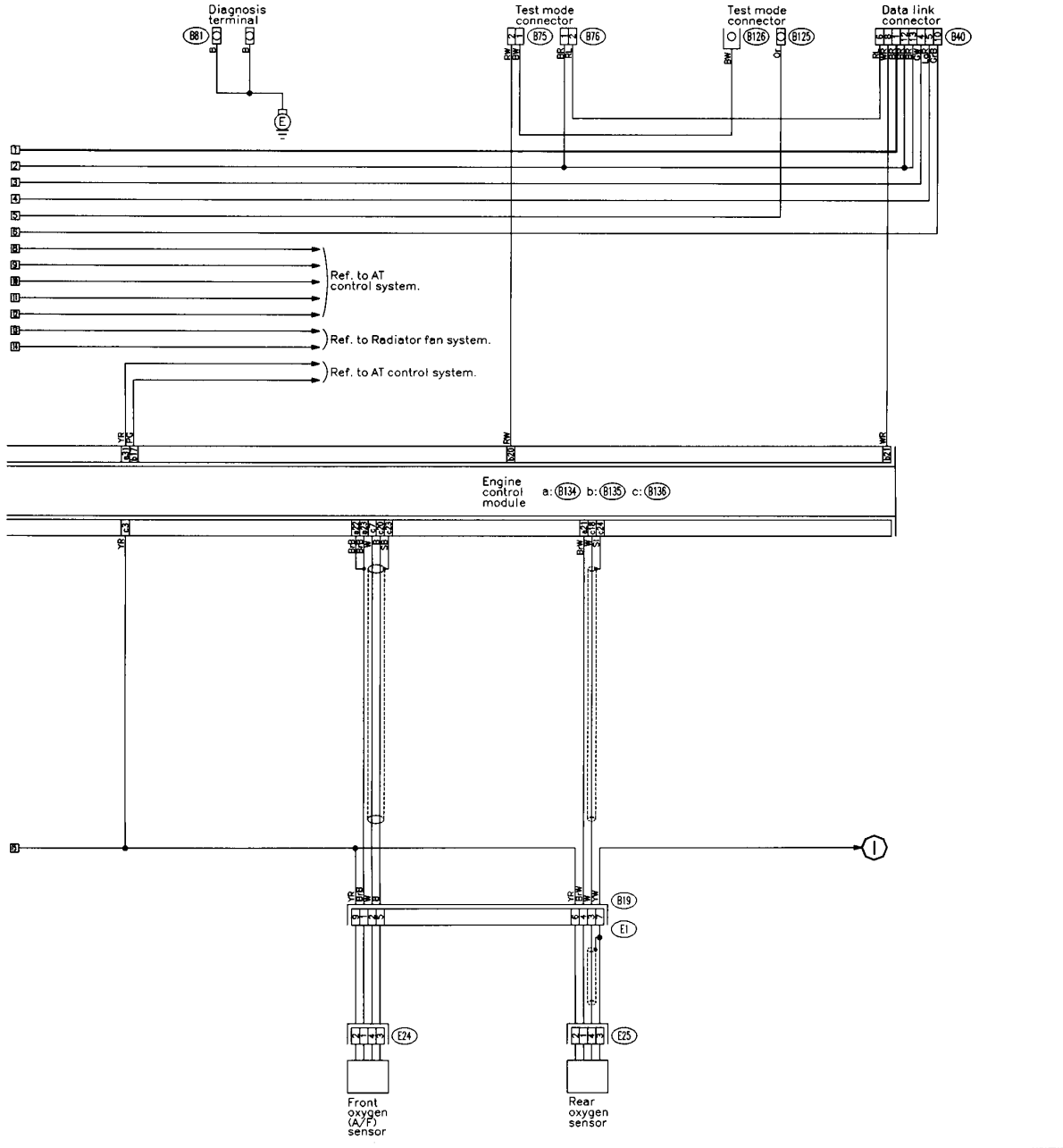
L: ENGINE ELECTRICAL SYSTEM

1. 2200 cc CALIFORNIA SPEC. VEHICLES



# WIRING DIAGRAM

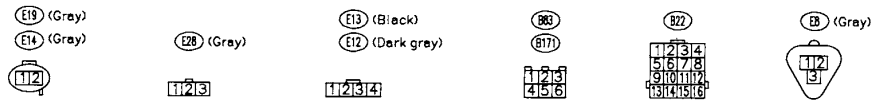
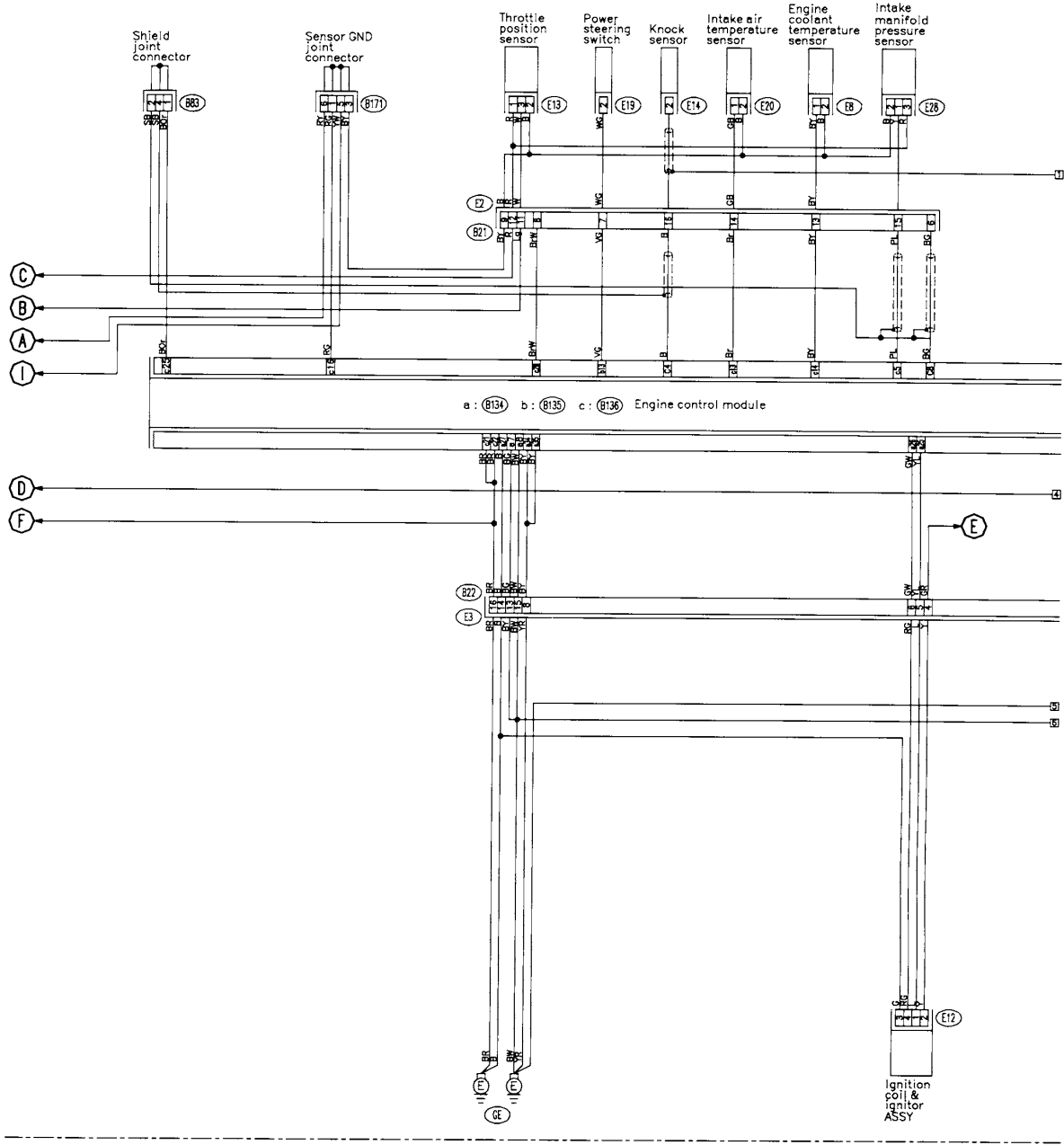
[D5L1] 6-3  
5. Wiring Diagram



GU10-12B

**6-3 [D5L1]**  
**5. Wiring Diagram**

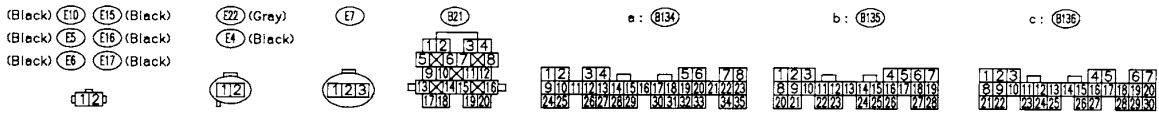
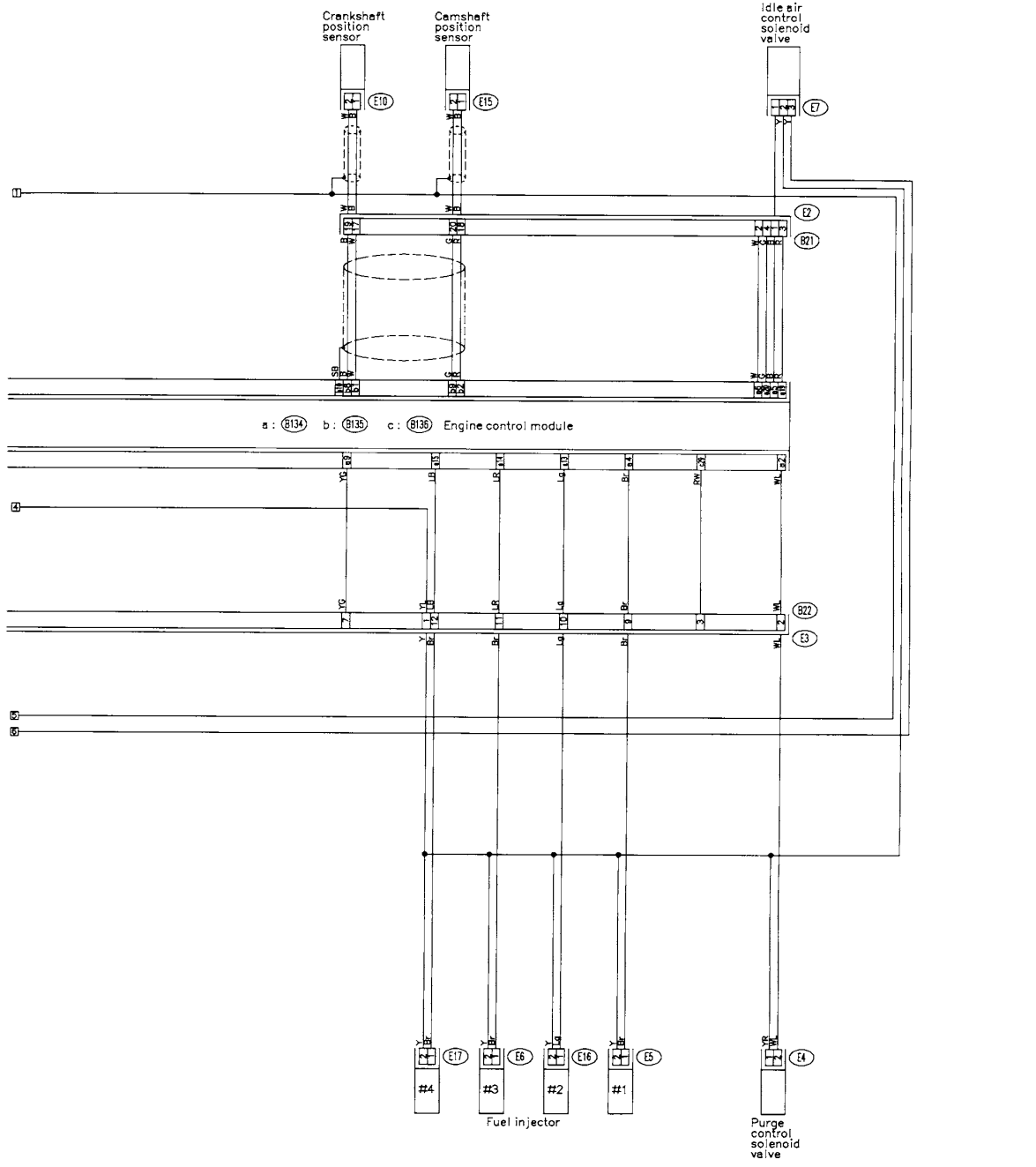
**WIRING DIAGRAM**



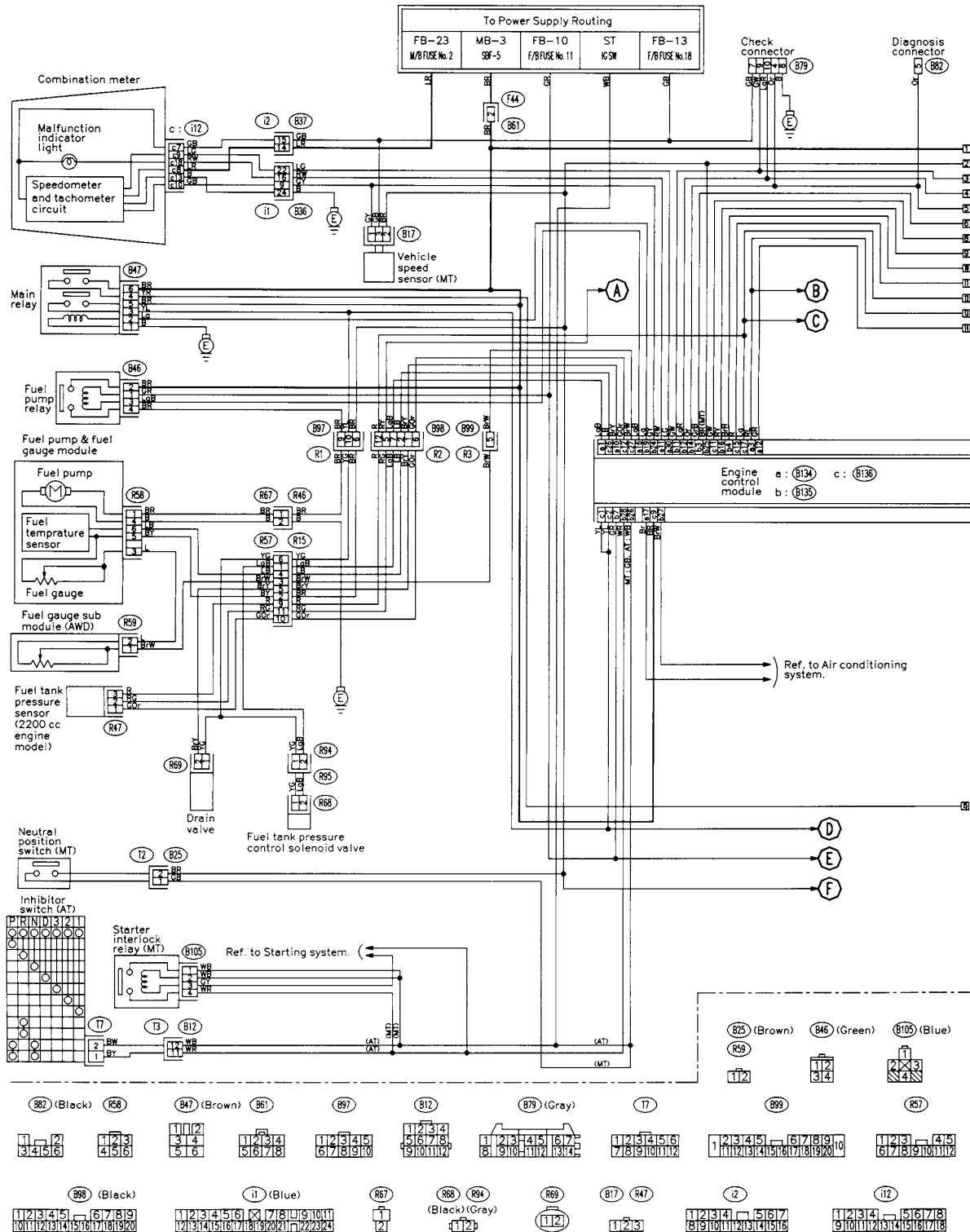
GU10-12C

# WIRING DIAGRAM

[D5L1] 6-3  
5. Wiring Diagram

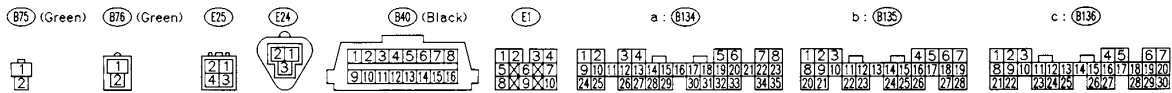
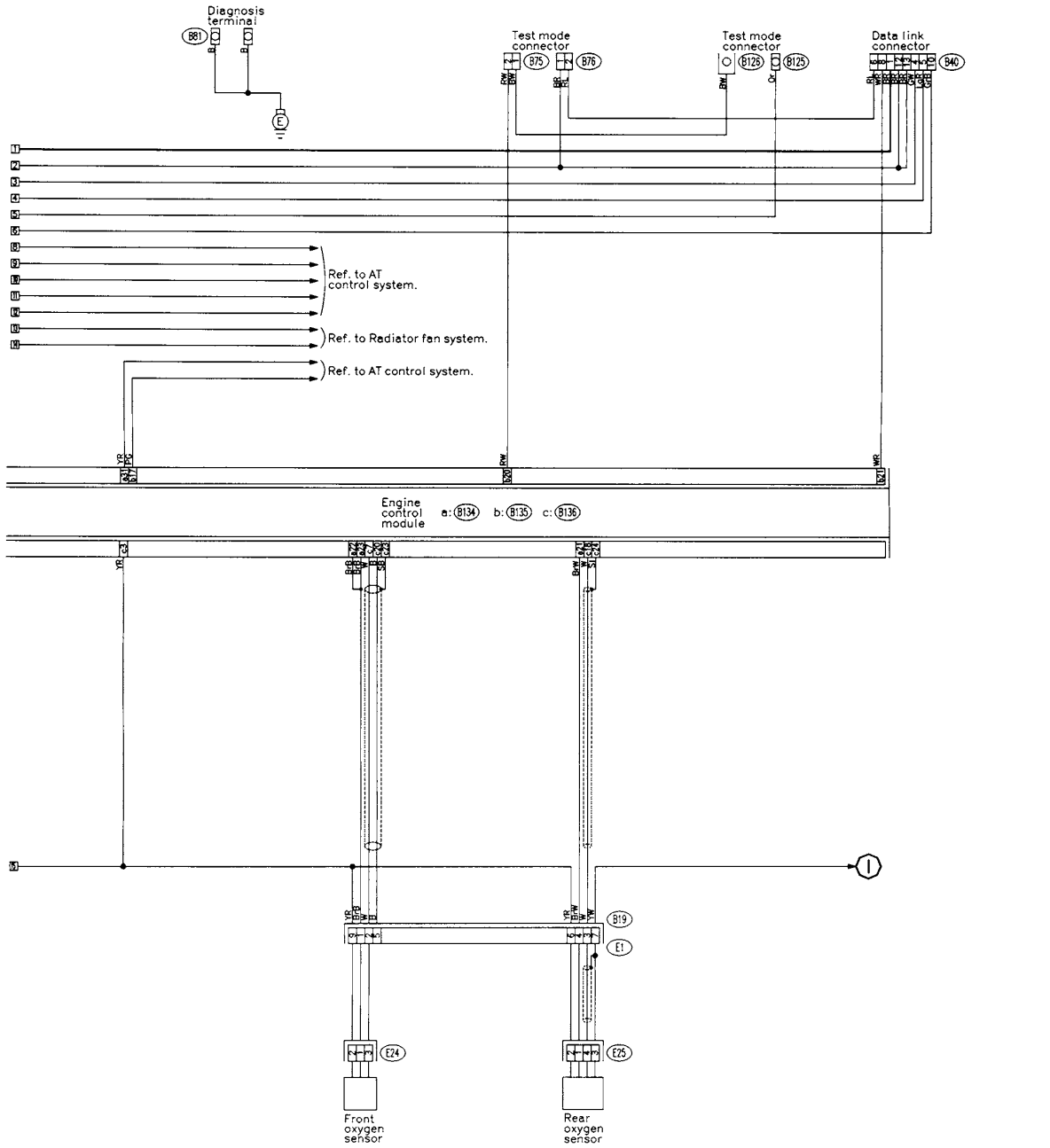


2. EXCEPT 2200 cc CALIFORNIA SPEC. VEHICLES



# WIRING DIAGRAM

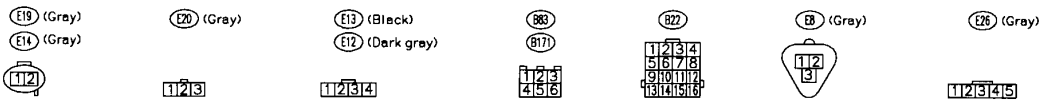
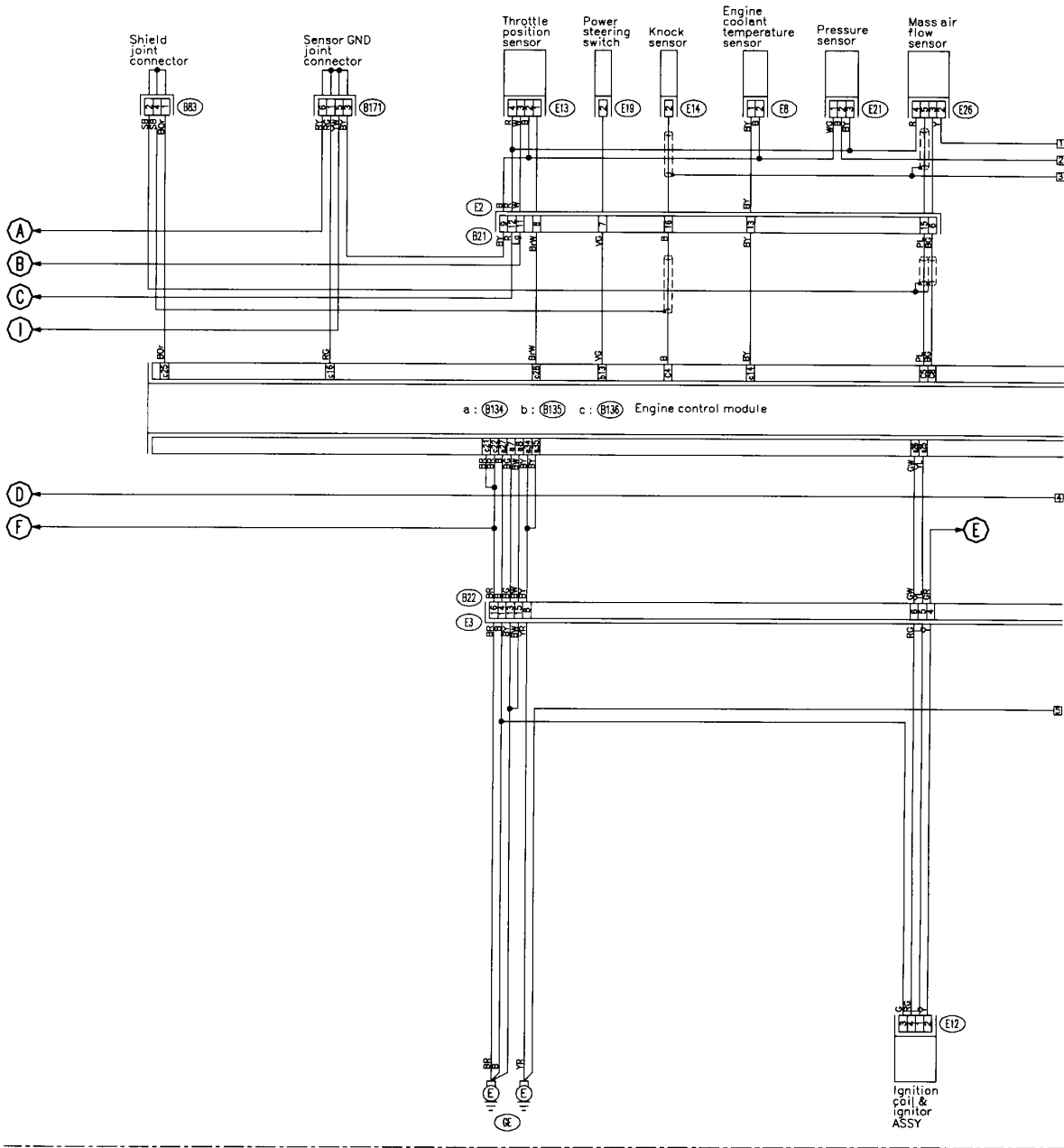
[D5L2] 6-3  
5. Wiring Diagram



GU10-13B

**6-3 [D5L2]**  
 5. Wiring Diagram

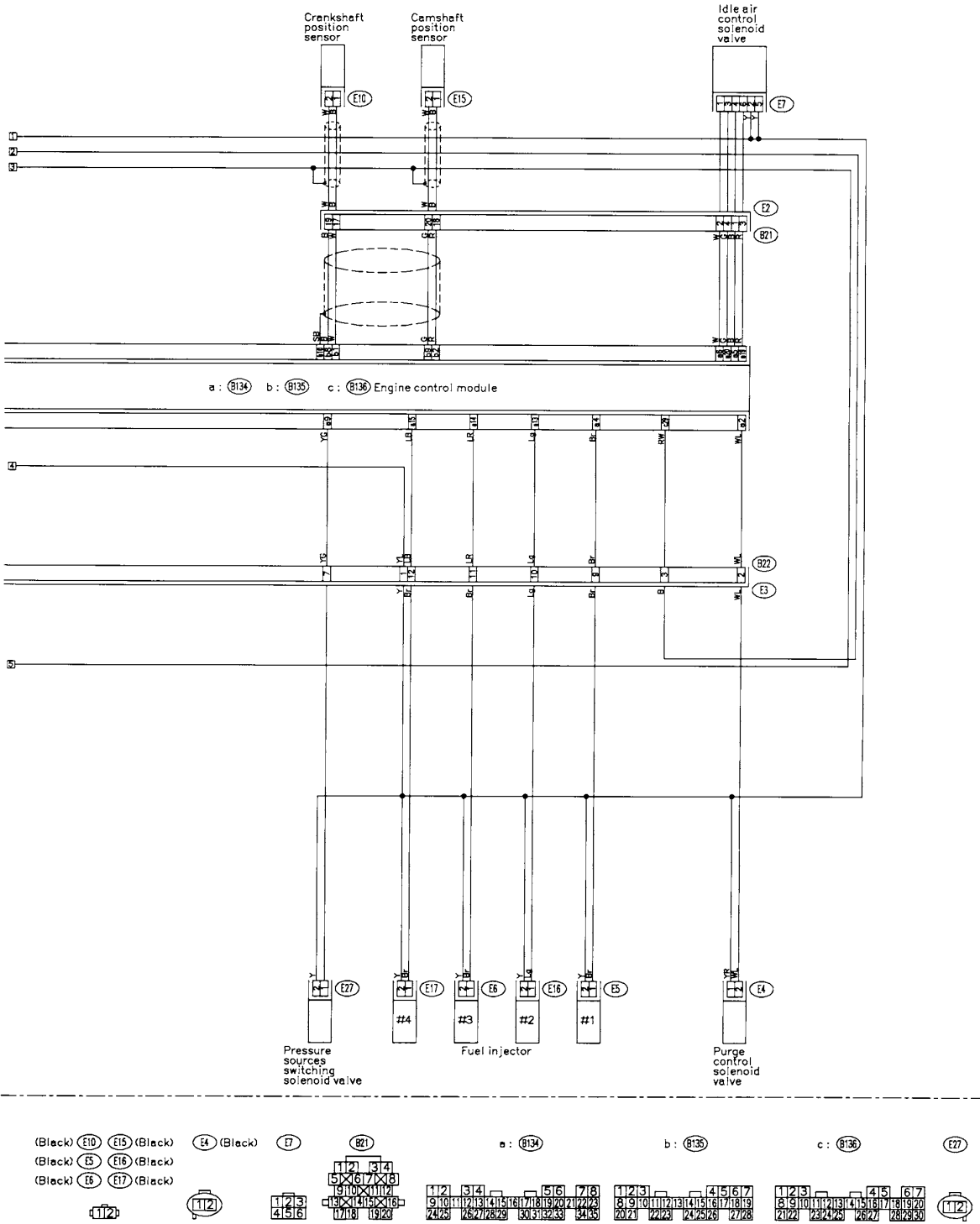
**WIRING DIAGRAM**



GU10-13C

# WIRING DIAGRAM

[D5L2] 6-3  
5. Wiring Diagram



GU10-13D