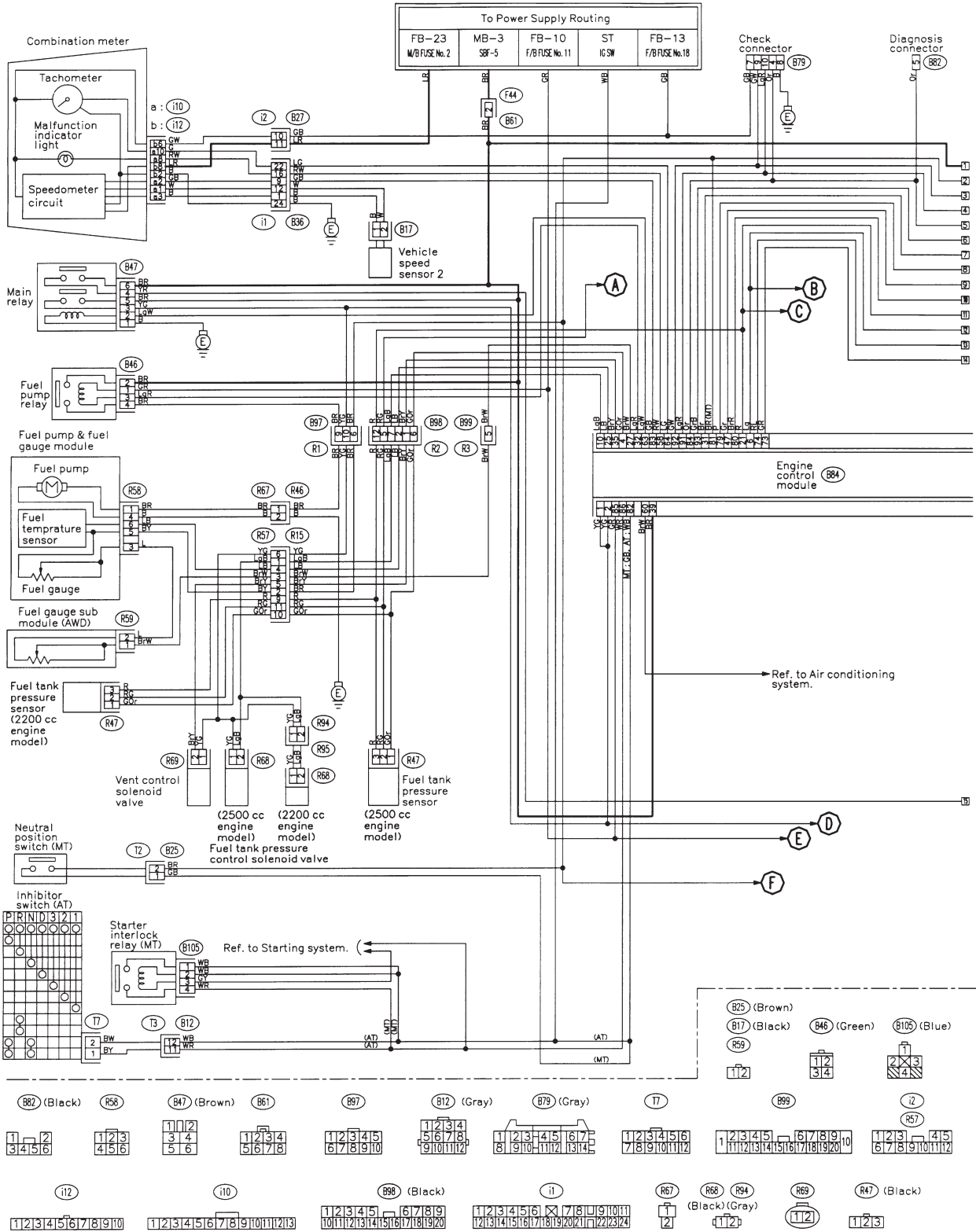


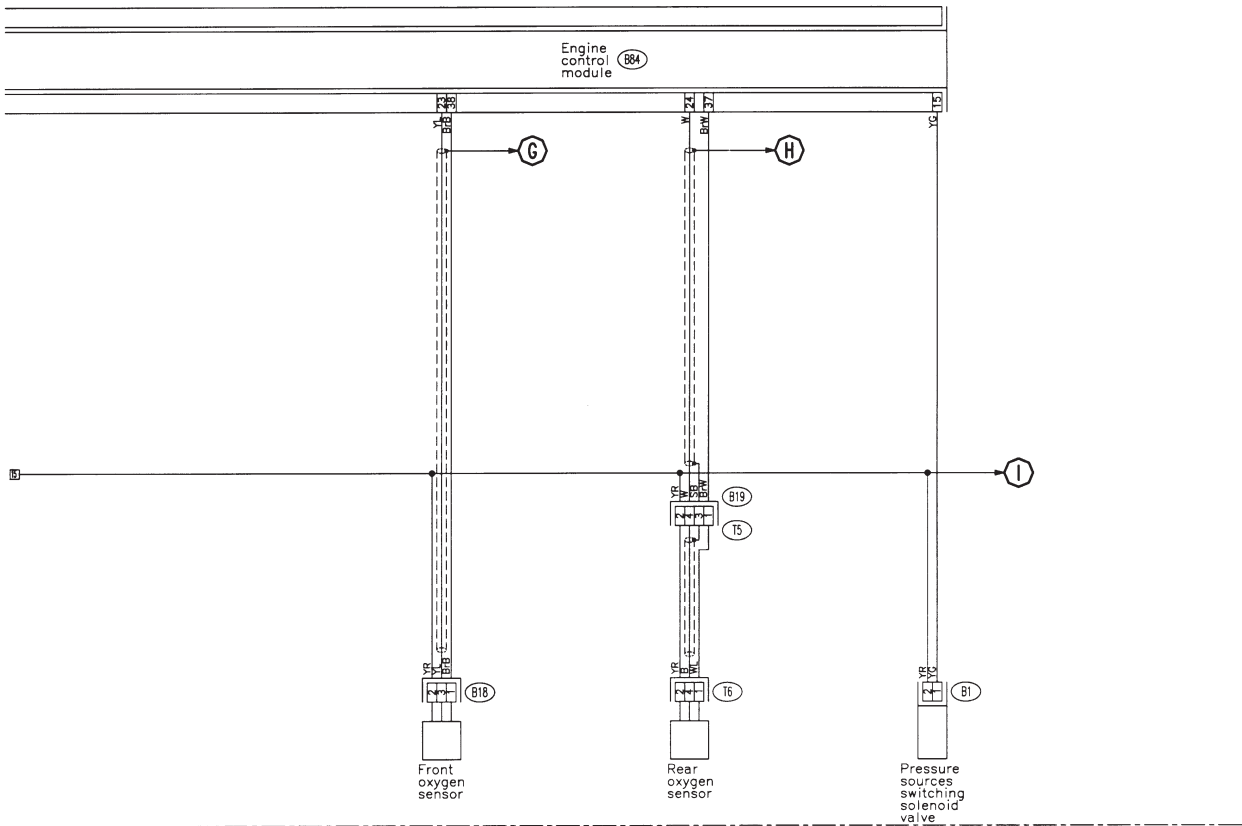
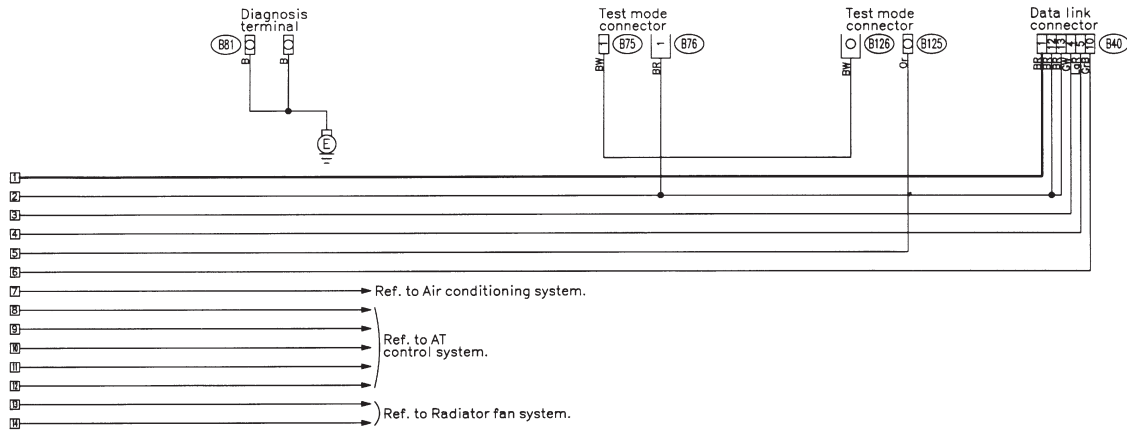
L: ENGINE ELECTRICAL SYSTEM



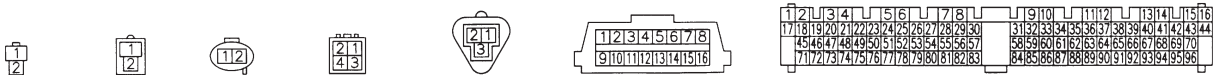
GU10-11A

# WIRING DIAGRAM

[D5L0] 6-3  
5. Wiring Diagram



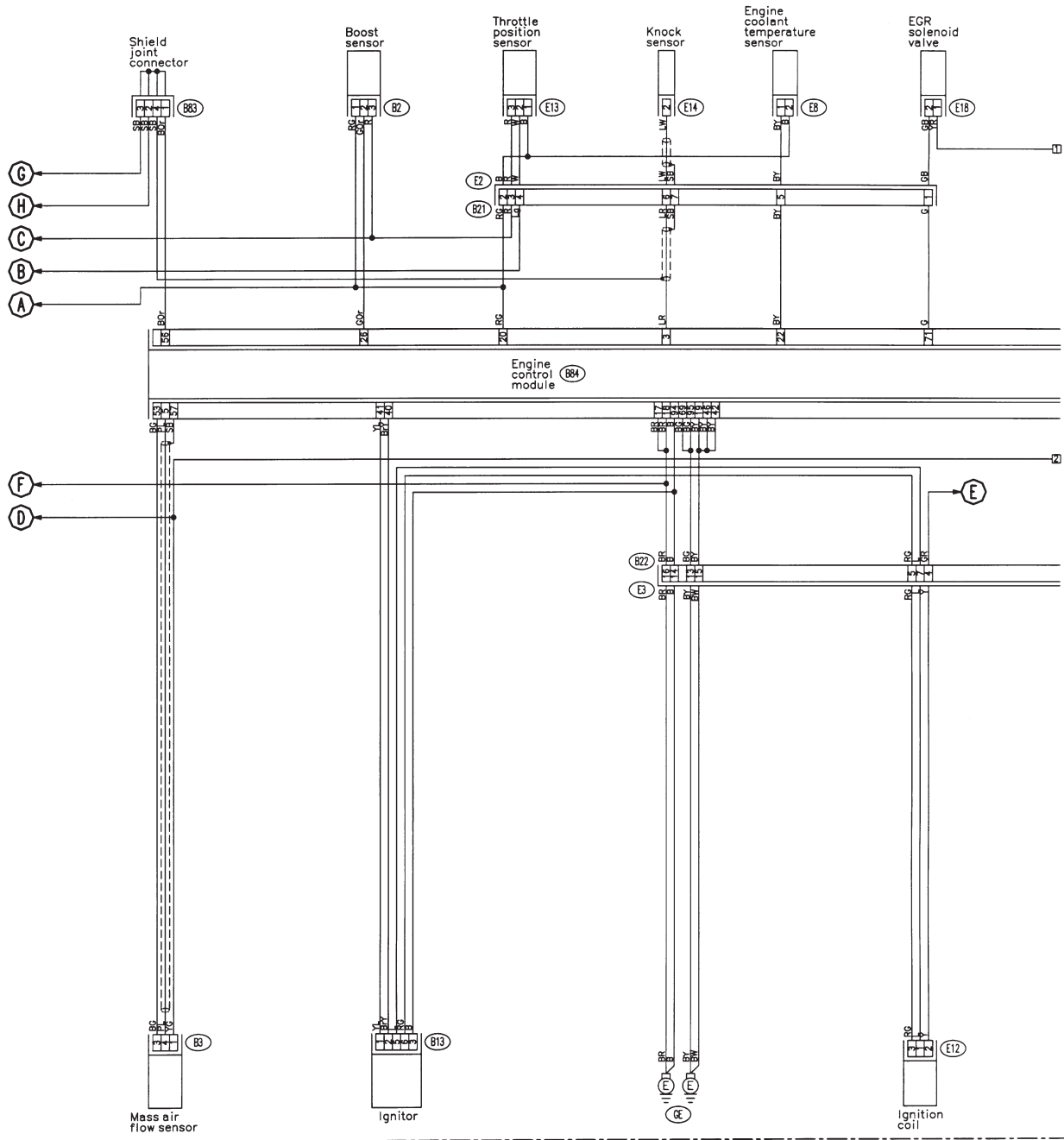
(B75) (Green) (B76) (Green) (B1) (Brown) (B19) (T6) (Gray) (B18) (B40) (Black) (B84) (Light blue)



GU10-11B

**6-3 [D5L0]**  
 5. Wiring Diagram

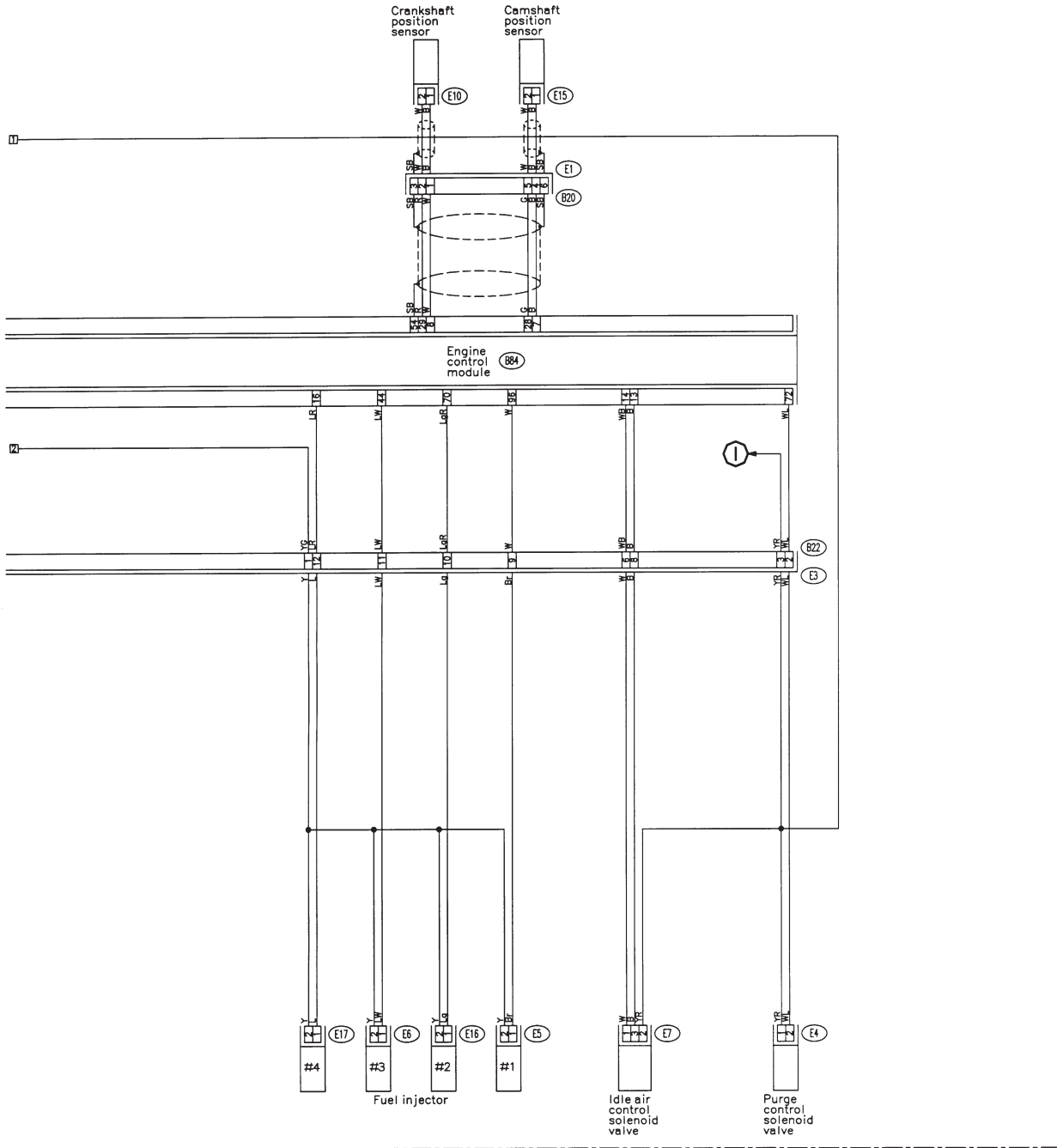
**WIRING DIAGRAM**



- (E18) (Brown)
  - (E14) (Gray)
  - (E8) (Brown)
  - (E13) (Brown)
  - (B2) (Black)
  - (E12) (Gray)
  - (B3)
  - (B13) (Gray)
  - (B83)
  - (B21) (Gray)
  - (B22) (Gray)
-

# WIRING DIAGRAM

[D5L0] 6-3  
5. Wiring Diagram



(Gray) E10 E15 (Dark gray)  
(Light gray) E5 E16 (Light gray)  
(Dark gray) E6 E17 (Dark gray)



B84 (Light blue)

1	2	3	4	5	6	7	8	9	10	11	12	13	14	15	16																																				
17	18	19	20	21	22	23	24	25	26	27	28	29	30	31	32	33	34	35	36	37	38	39	40	41	42	43	44																								
45	46	47	48	49	50	51	52	53	54	55	56	57	58	59	60	61	62	63	64	65	66	67	68	69	70	71	72	73	74	75	76	77	78	79	80	81	82	83	84	85	86	87	88	89	90	91	92	93	94	95	96

GU10-11D