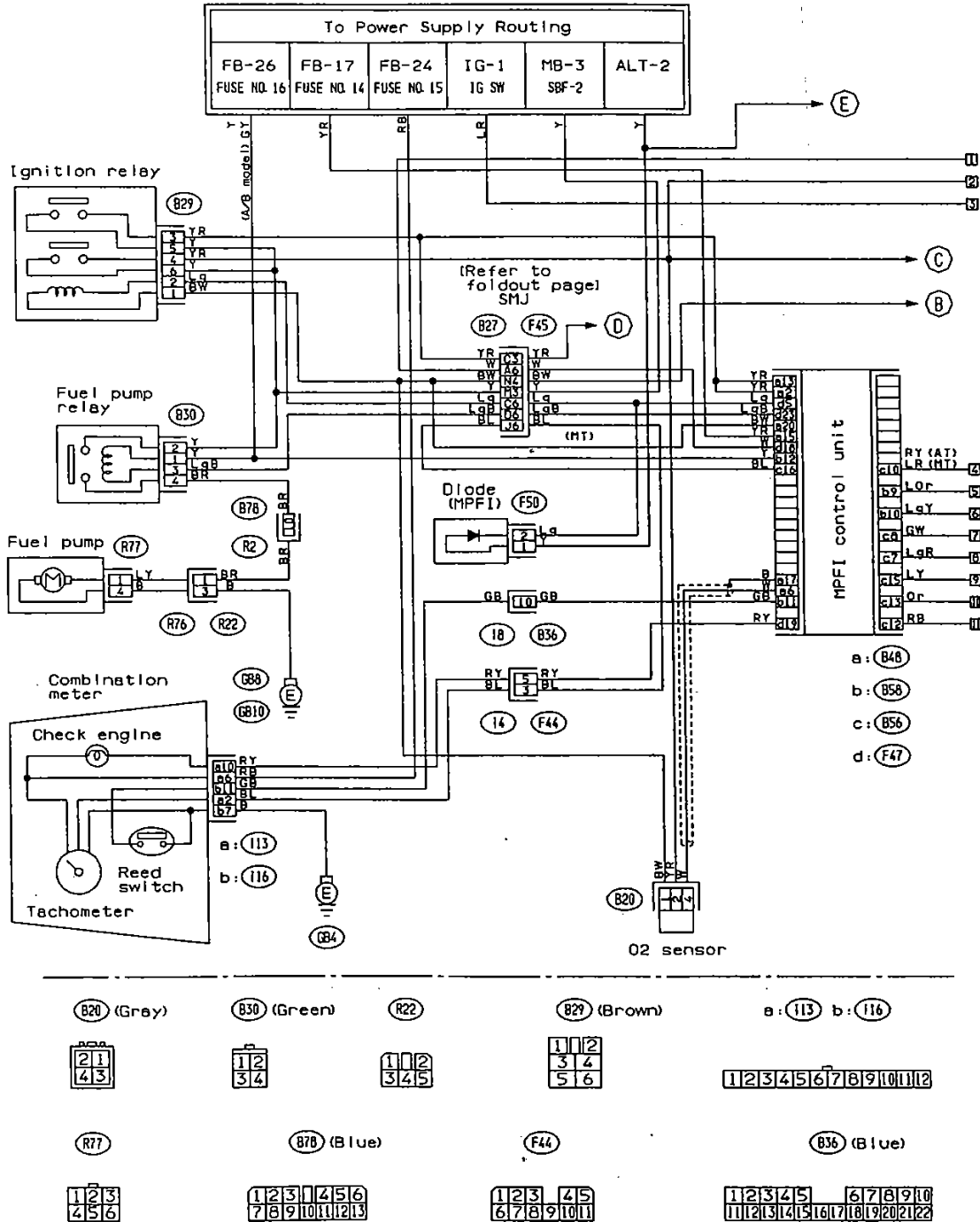
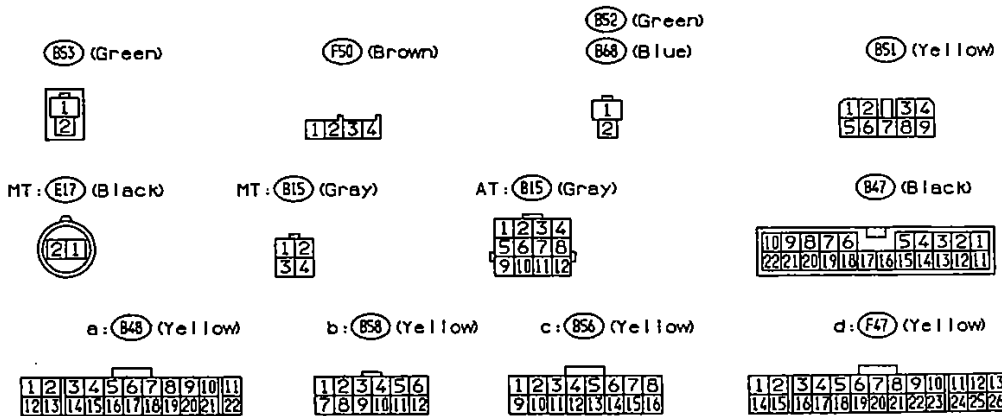
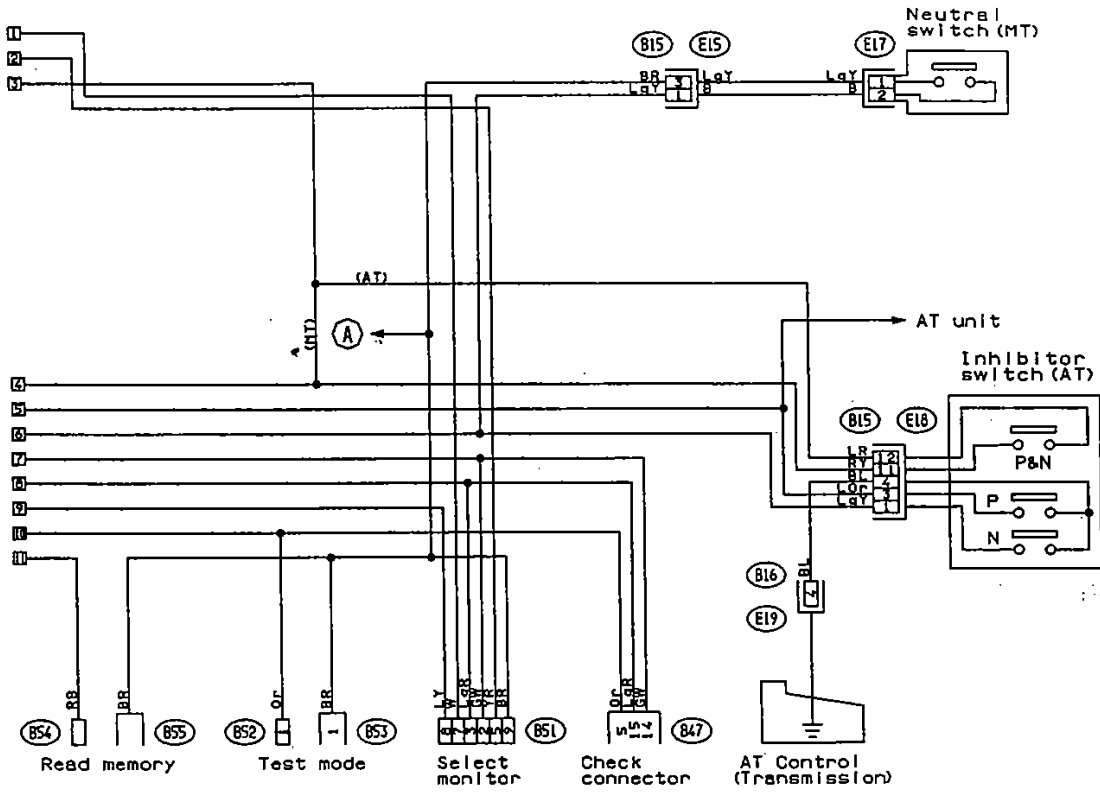


4. ENGINE ELECTRICAL
MPFI-Non-TURBO



BU10-04A

Fig. 28-1



BU10-04B

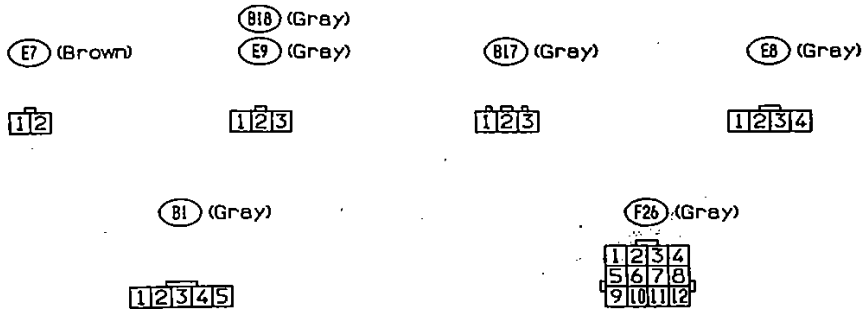
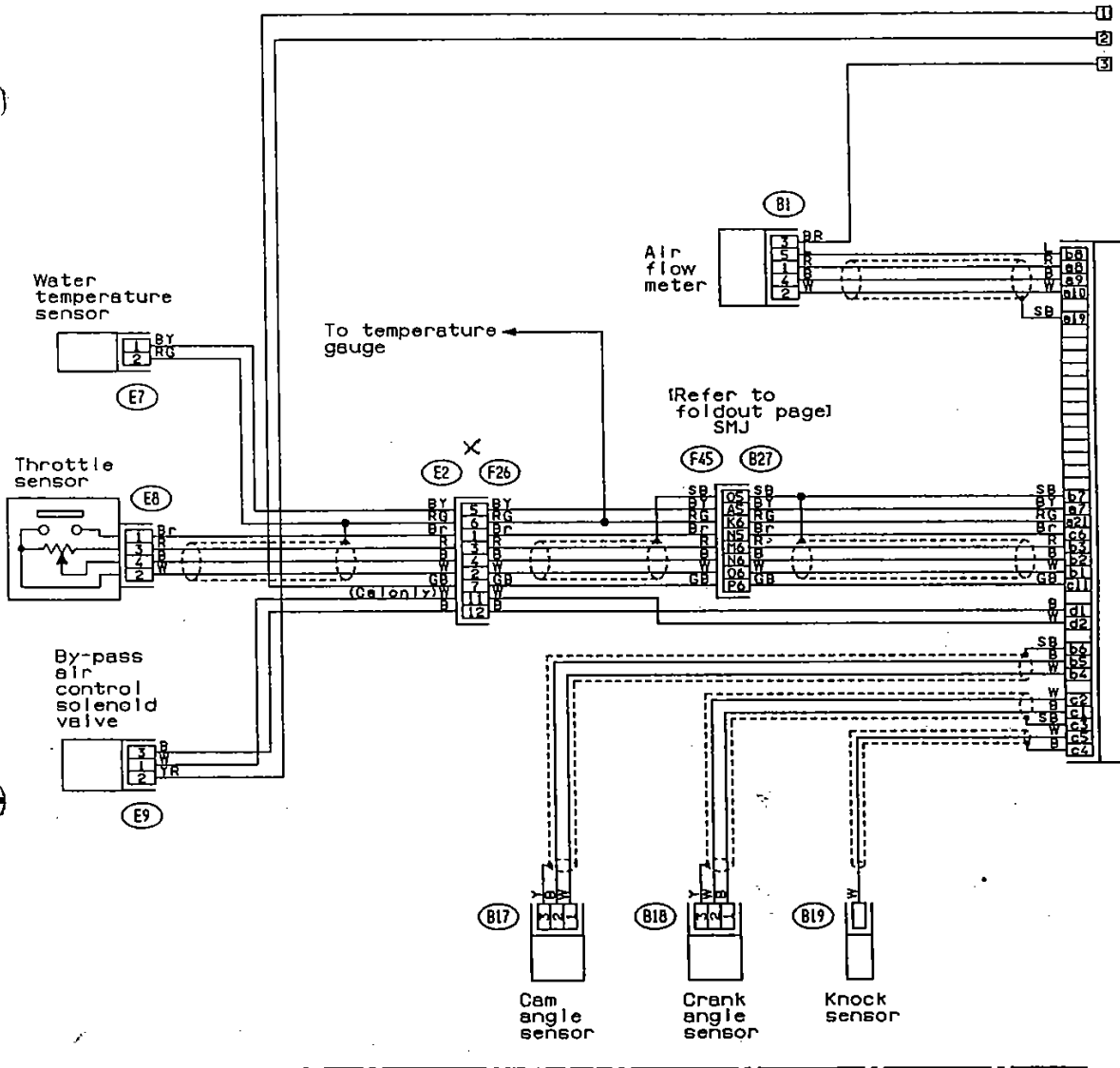
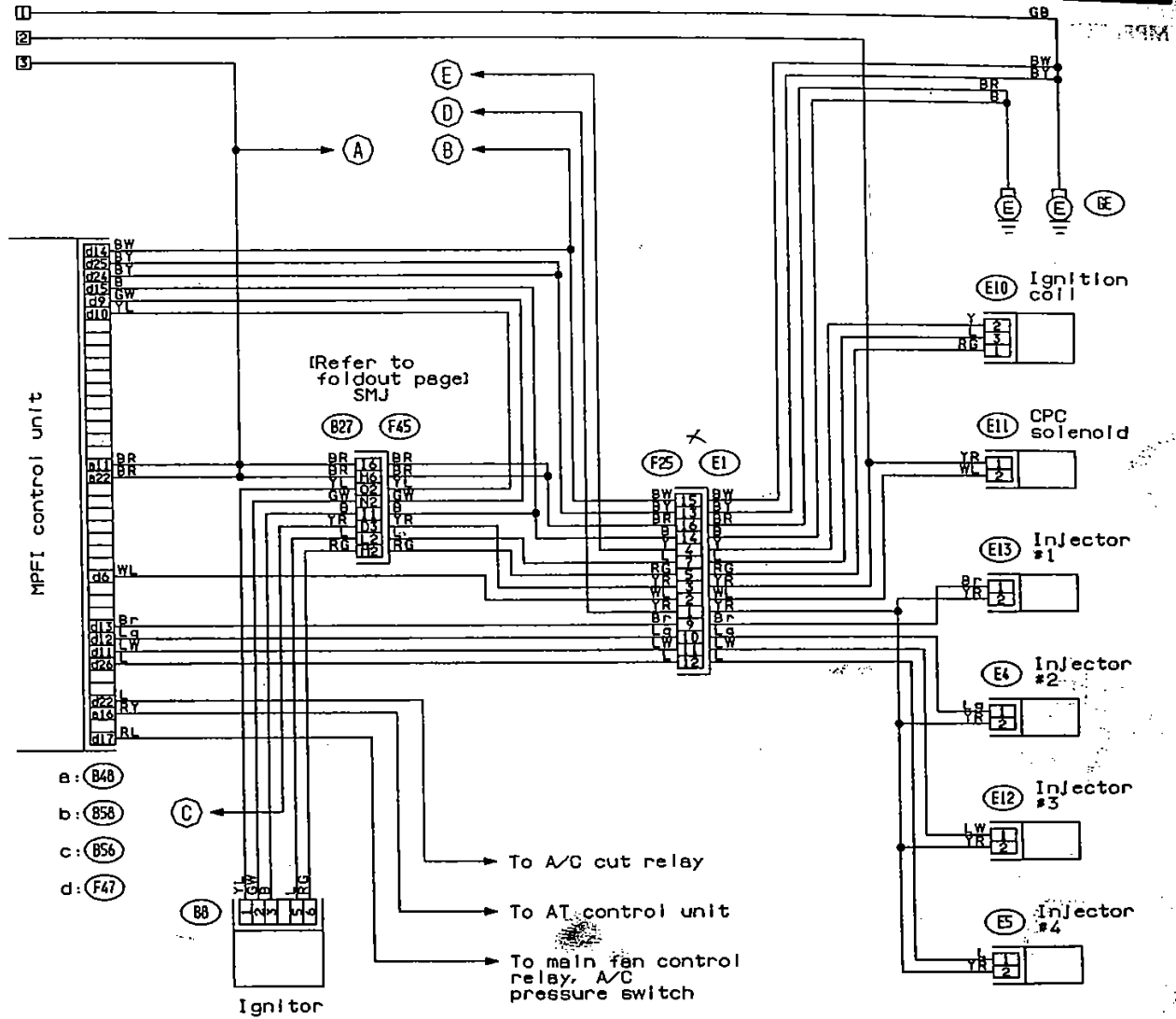


Fig. 28-2

BU10-04C

WIRING DIAGRAM AND TROUBLESHOOTING

[0504] 6-3



- E4 (Gray)
- E11 (Blue)
- E5 (Gray)
- E12 (Gray)
- E13 (Gray)
- E10 (Gray)
- B8 (Gray)
- F25 (Gray)

- | | |
|---|---|
| 1 | 2 |
|---|---|

a: B48 (Yellow)
- | | | |
|---|---|---|
| 1 | 2 | 3 |
|---|---|---|

b: B58 (Yellow)
- | | | | | | |
|---|---|---|---|---|---|
| 1 | 2 | 3 | 4 | 5 | 6 |
|---|---|---|---|---|---|

c: B56 (Yellow)
- | | | | |
|----|----|----|----|
| 1 | 2 | 3 | 4 |
| 5 | 6 | 7 | 8 |
| 9 | 10 | 11 | 12 |
| 13 | 14 | 15 | 16 |

d: F47 (Yellow)

<table border="1" style="border-collapse: collapse; text-align: center;"> <tr><td>1</td><td>2</td><td>3</td><td>4</td><td>5</td><td>6</td><td>7</td><td>8</td><td>9</td><td>10</td><td>11</td></tr> <tr><td>12</td><td>13</td><td>14</td><td>15</td><td>16</td><td>17</td><td>18</td><td>19</td><td>20</td><td>21</td><td>22</td></tr> </table>	1	2	3	4	5	6	7	8	9	10	11	12	13	14	15	16	17	18	19	20	21	22	<table border="1" style="border-collapse: collapse; text-align: center;"> <tr><td>1</td><td>2</td><td>3</td><td>4</td><td>5</td><td>6</td></tr> <tr><td>7</td><td>8</td><td>9</td><td>10</td><td>11</td><td>12</td></tr> </table>	1	2	3	4	5	6	7	8	9	10	11	12	<table border="1" style="border-collapse: collapse; text-align: center;"> <tr><td>1</td><td>2</td><td>3</td><td>4</td><td>5</td><td>6</td><td>7</td><td>8</td></tr> <tr><td>9</td><td>10</td><td>11</td><td>12</td><td>13</td><td>14</td><td>15</td><td>16</td></tr> </table>	1	2	3	4	5	6	7	8	9	10	11	12	13	14	15	16	<table border="1" style="border-collapse: collapse; text-align: center;"> <tr><td>1</td><td>2</td><td>3</td><td>4</td><td>5</td><td>6</td><td>7</td><td>8</td><td>9</td><td>10</td><td>11</td><td>12</td><td>13</td></tr> <tr><td>14</td><td>15</td><td>16</td><td>17</td><td>18</td><td>19</td><td>20</td><td>21</td><td>22</td><td>23</td><td>24</td><td>25</td><td>26</td></tr> </table>	1	2	3	4	5	6	7	8	9	10	11	12	13	14	15	16	17	18	19	20	21	22	23	24	25	26
1	2	3	4	5	6	7	8	9	10	11																																																																					
12	13	14	15	16	17	18	19	20	21	22																																																																					
1	2	3	4	5	6																																																																										
7	8	9	10	11	12																																																																										
1	2	3	4	5	6	7	8																																																																								
9	10	11	12	13	14	15	16																																																																								
1	2	3	4	5	6	7	8	9	10	11	12	13																																																																			
14	15	16	17	18	19	20	21	22	23	24	25	26																																																																			

BU10-04D

MPFI-TURBO

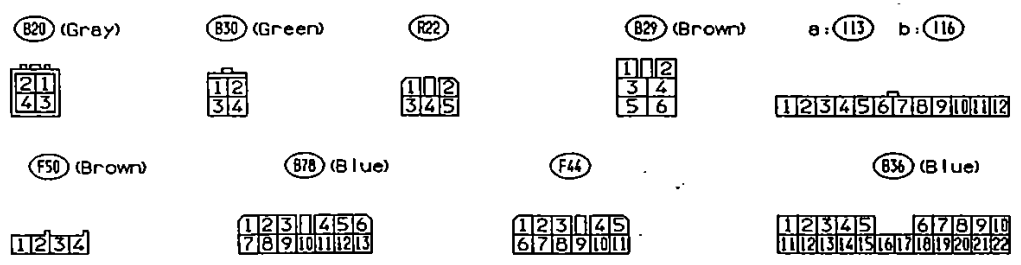
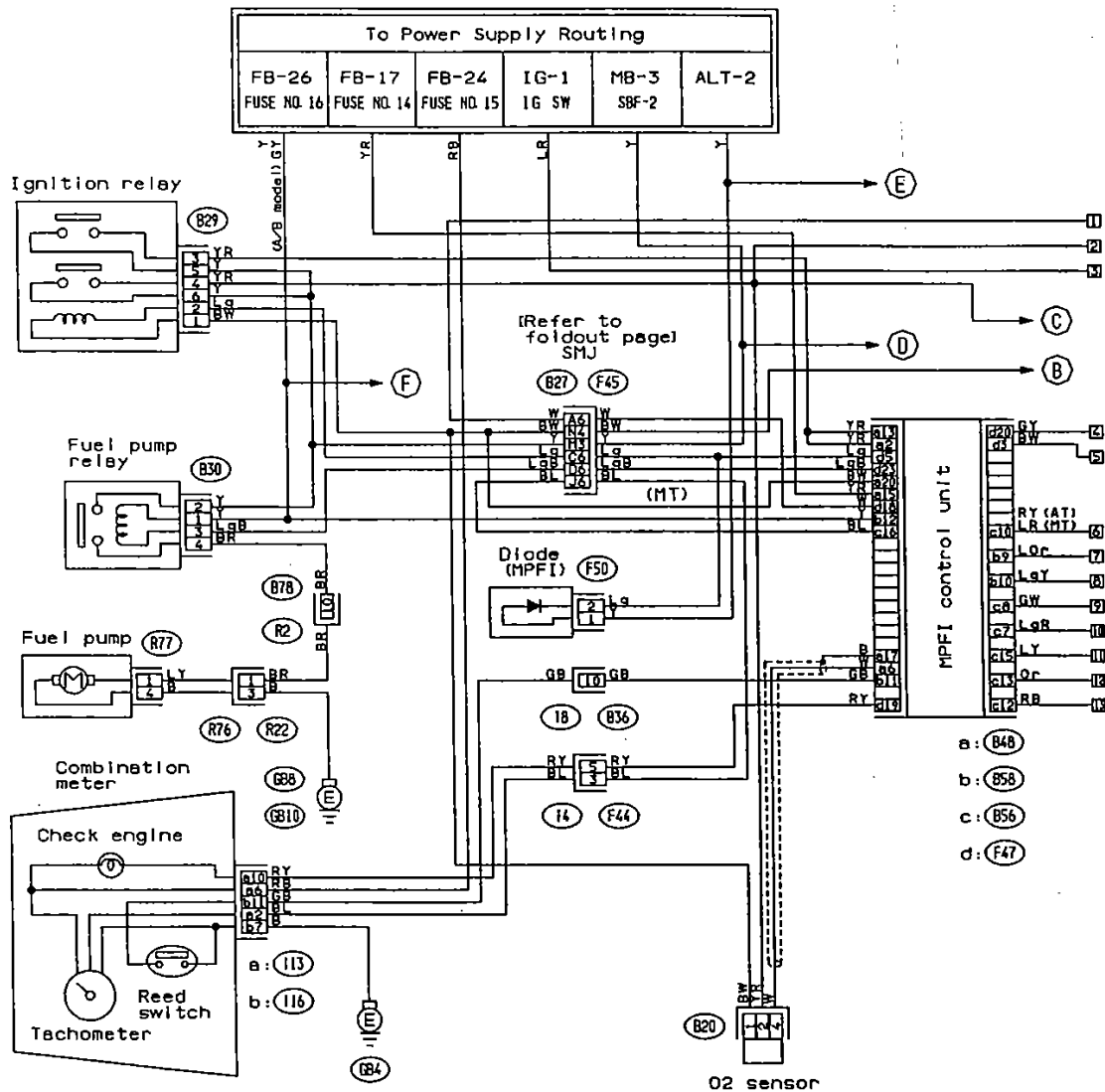
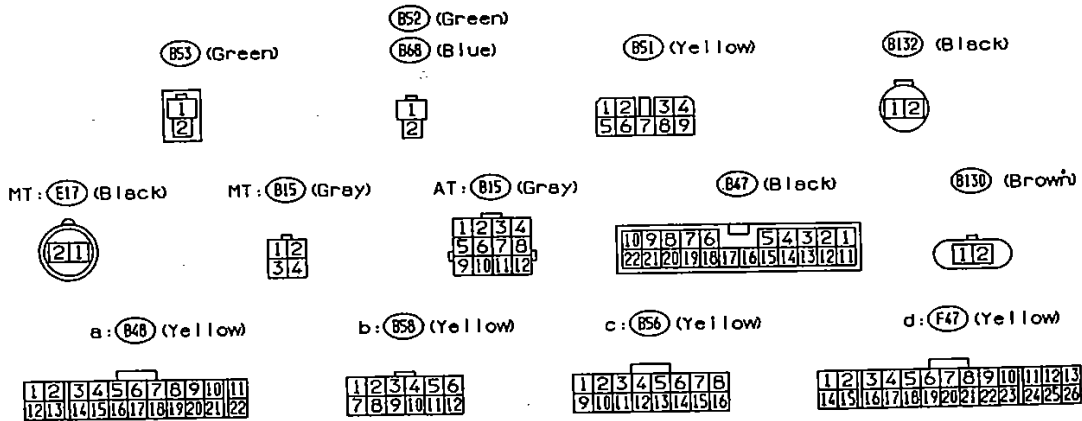
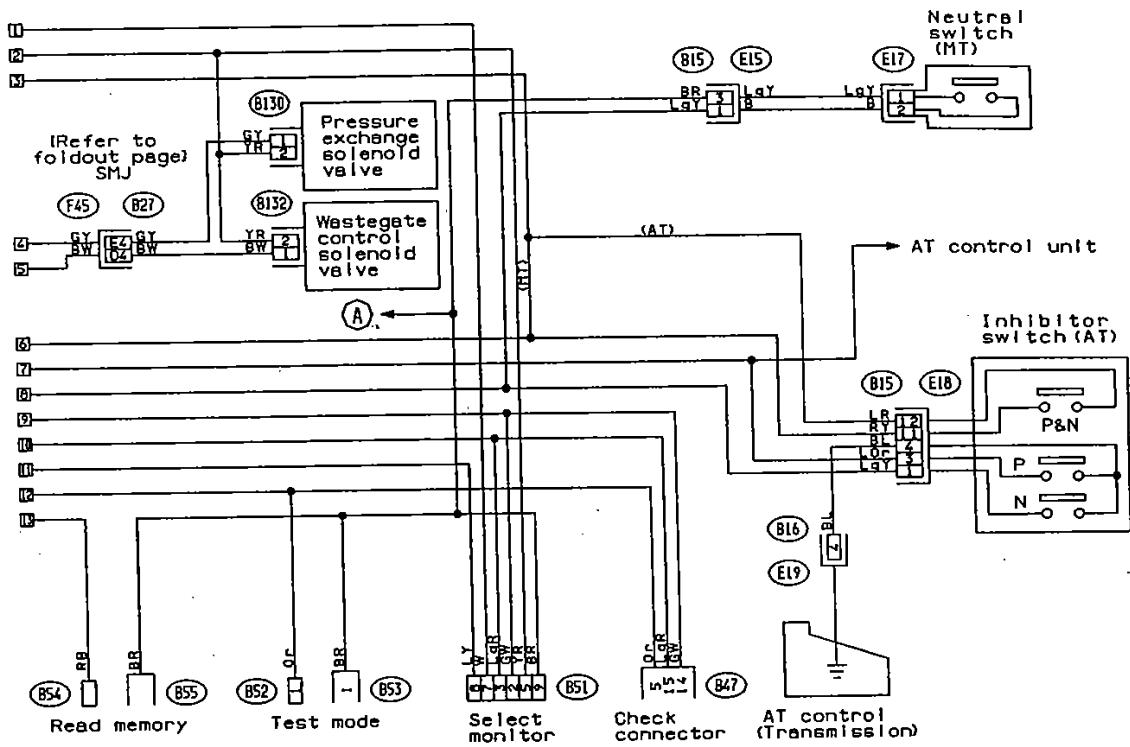


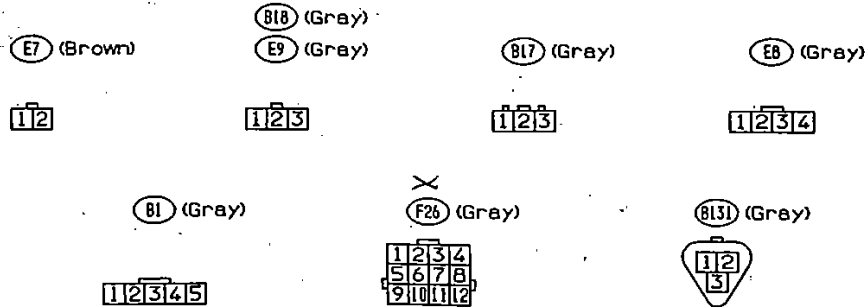
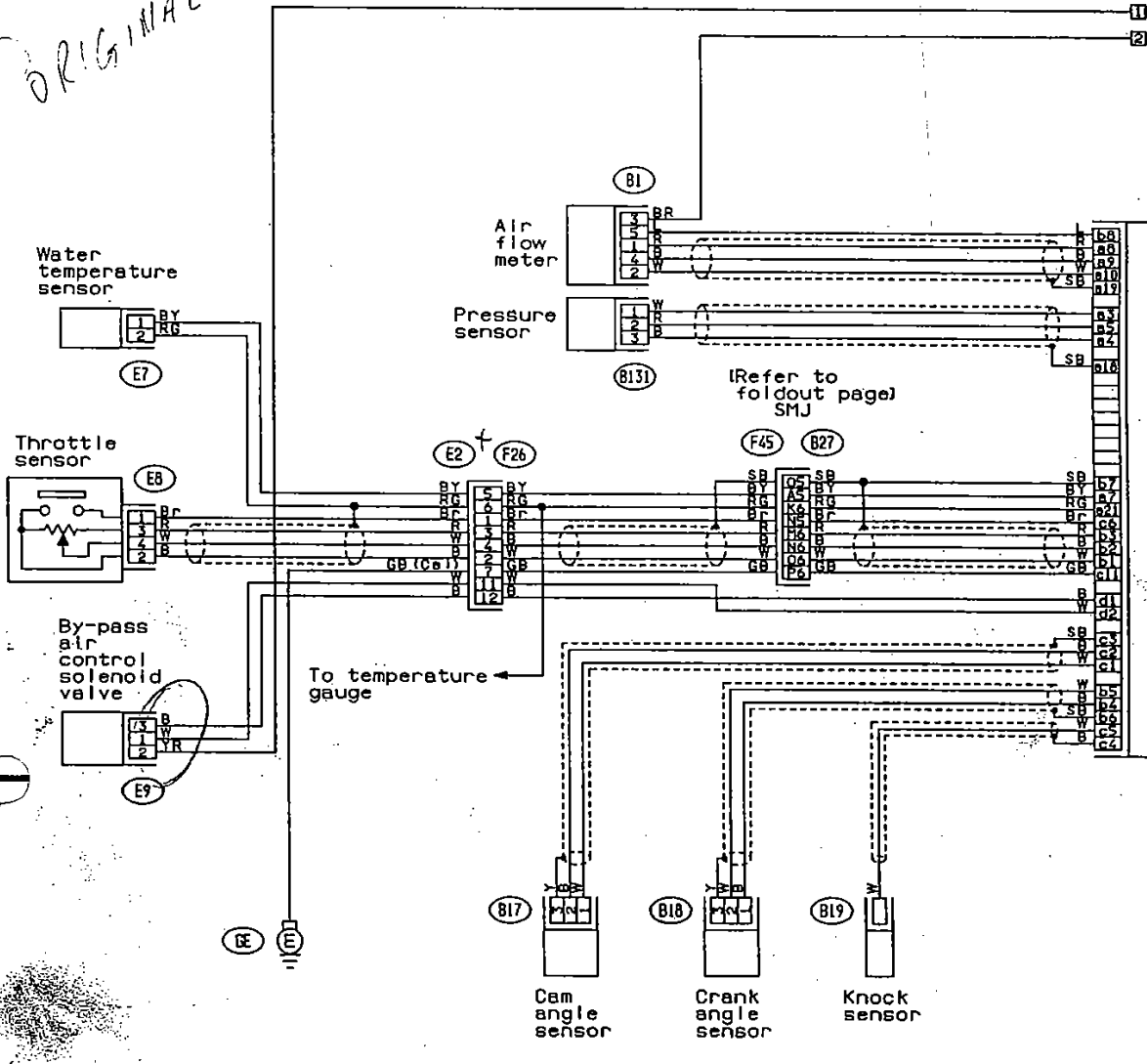
Fig. 29-1

BU10-05A



BU10-05B

ORIGINAL



BU10-05C

Fig. 29-2

